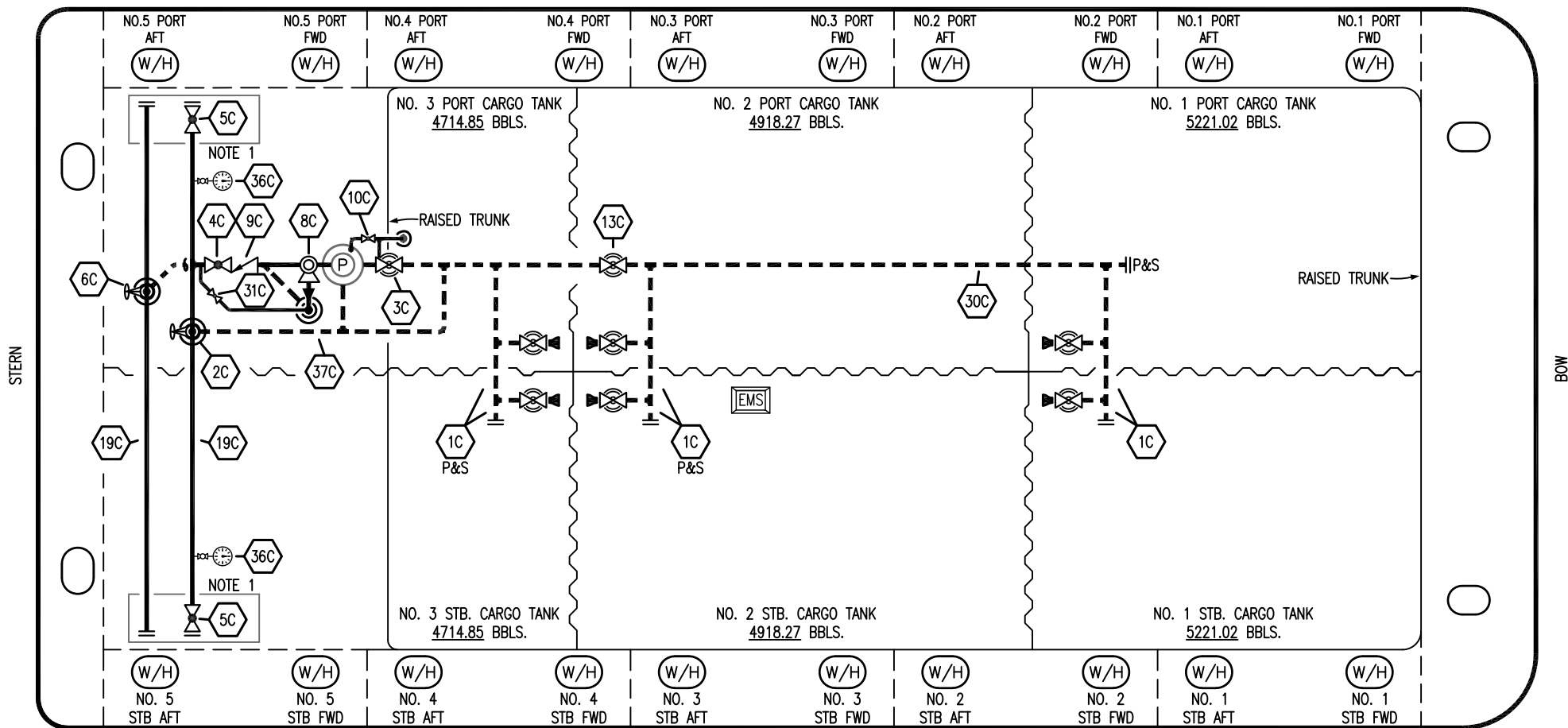


PORT




STARBOARD

- | | | | |
|-----|----------------------|-----|--------------------------|
| NO | DESCRIPTION | NO | DESCRIPTION |
| 1C | CARGO TANK VALVE | 13C | CARGO PIPING BLOCK VALVE |
| 2C | LOAD VALVE | 19C | CARGO HEADER |
| 3C | MASTER SUCTION VALVE | 30C | CARGO PIPELINE |
| 4C | DISCHARGE VALVE | 31C | BYPASS VALVE |
| 5C | HEADER VALVE | 36C | PRESSURE GAUGE |
| 6C | SALVAGE VALVE | 37C | CARGO DROP |
| 8C | RELIEF VALVE | — | — |
| 9C | CHECK VALVE | — | — |
| 10C | BURP VALVE | — | — |

- ABOVE DECK PIPING
- - - BELOW DECK PIPING

NOTE 1: CONTAINMENT P/S

REV.	DATE	BY	CHK	APP	REVISION DESCRIPTION
1	01/08/24	MEV	DDA	LEP	REVISED PER CLIENT COMMENTS
0	12/11/18	MRV	DDA		ISSUED FOR APPROVAL



KIRBY INLAND MARINE

CARGO

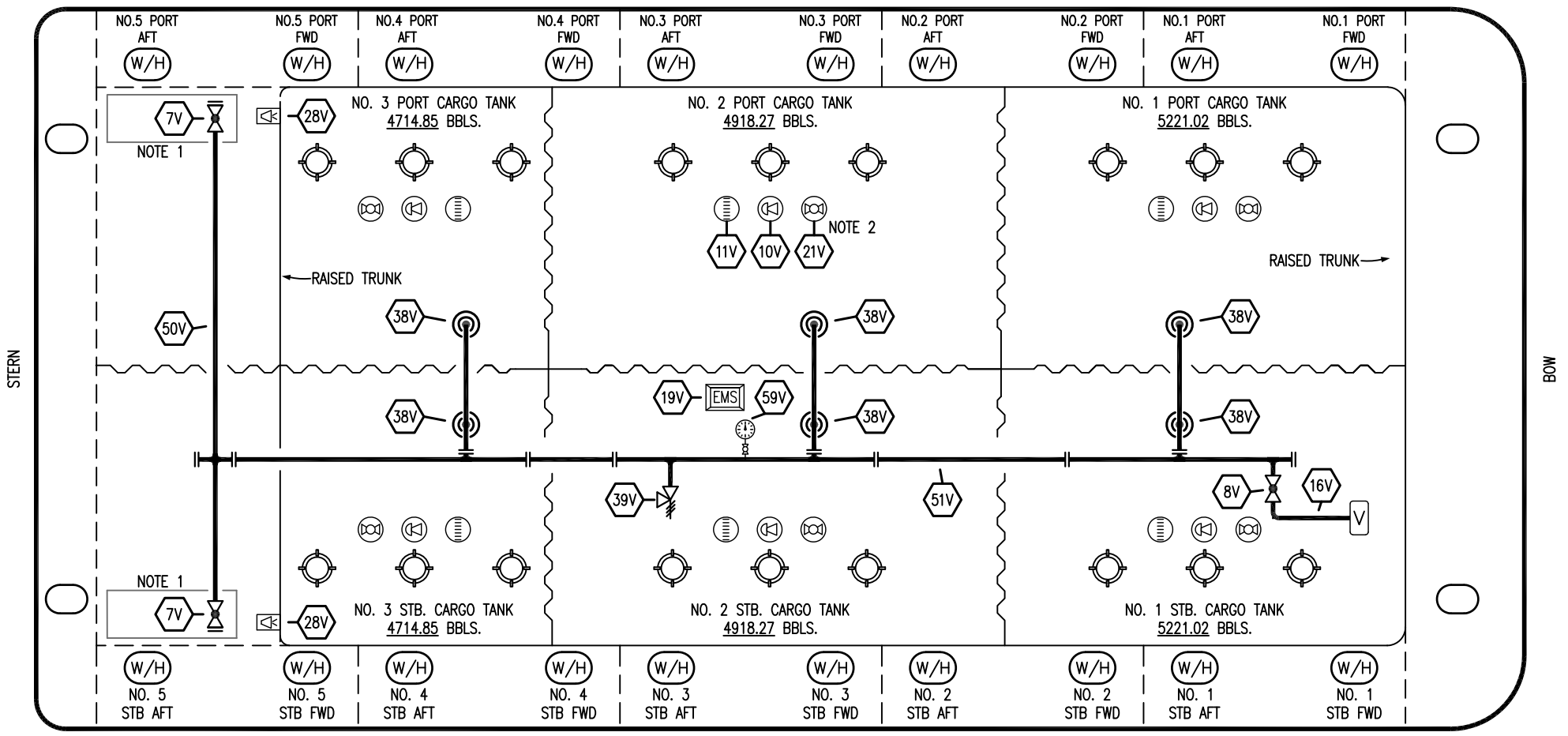
PIPING FLOW DIAGRAM

MMI 3039

SCALE: NONE	REV. 1
PAGE: 1 OF 3	

TRINITY

PORT



STARBOARD

- | | | | |
|-----|----------------------------|-----|-----------------------|
| NO | DESCRIPTION | NO | DESCRIPTION |
| 7V | 8" HEADER VALVE | 28V | DOCK CONNECTION ALARM |
| 8V | 8" VENT STACK VALVE | 38V | 8" VAPOR PENETRATION |
| 10V | HIGH LEVEL/OVERFILL ALARM | 39V | PRESSURE/VACUUM VALVE |
| 11V | 1-METER GAUGE STICK | 50V | 8" VAPOR HEADER |
| 16V | VAPOR VENT STACK | 51V | 8" VAPOR PIPELINE |
| 19V | EMERGENCY ENGINE SHUT DOWN | 59V | PRESS/VAC GAUGE |
| 21V | 2" HERMETIC GAUGE | — | ABOVE DECK PIPING |

NOTE 2: TYPICAL RIGGING IN EACH TANK
 NOTE 1: CONTAINMENT P/S

REV.	DATE	BY	CHK	APP	REVISION DESCRIPTION
1	01/08/24	MRV	DDA	LEP	REVISED PER CLIENT COMMENTS
0	12/11/18	MRV	DDA		ISSUED FOR APPROVAL

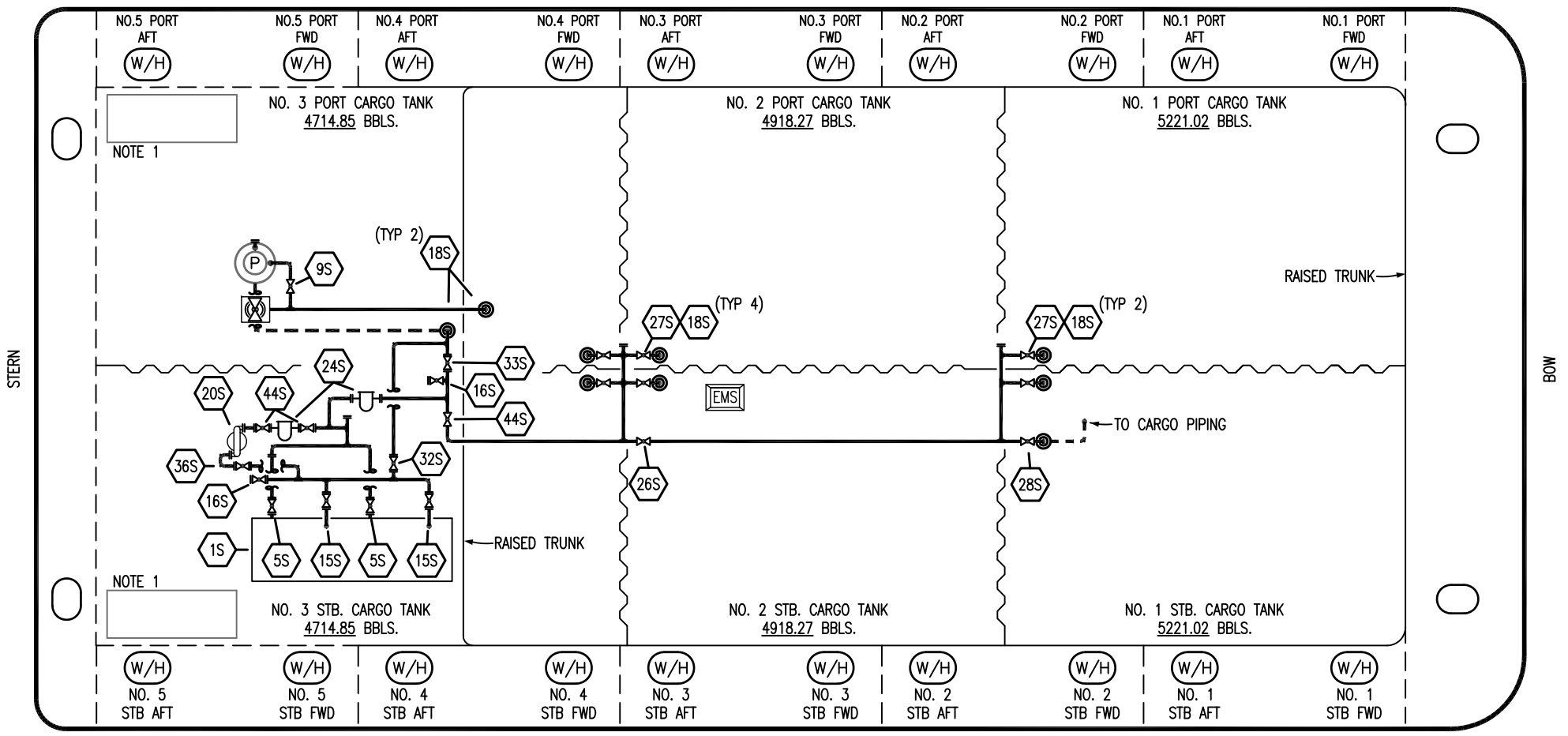
TRINITY

KIRBY INLAND MARINE

**VAPOR
PIPING FLOW DIAGRAM**

SCALE: NONE	MMI 3039
PAGE: 2 OF 3	REV. 1

PORT



STARBOARD

- | | | | |
|-----|--------------------------------|-----|------------------------------|
| NO | DESCRIPTION | NO | DESCRIPTION |
| 1S | SLOP TANK | 26S | STRIPPING HEADER BLOCK VALVE |
| 5S | SLOP TANK SUCTION VALVE | 27S | SUMP SUCTION VALVE |
| 9S | BURP VALVE | 28S | CARGO PIPING SUCTION |
| 15S | DISCHARGE VALVE | 32S | PUMP WELL PRIMER VALVE |
| 16S | REMOTE SUCTION CONNECTION | 33S | PUMP WELL SUCTION |
| 18S | TYP. STRIPPING PENETRATION (⊙) | 36S | STRIPPING PUMP DISCHARGE |
| 20S | STRIPPING PUMP | 44S | STRIPPING PUMP SUCTION |
| 24S | BASKET STRAINER | — | — ABOVE DECK PIPING |
| | | --- | --- BELOW DECK PIPING |

NOTE 1: CONTAINMENT P/S

REV.	DATE	BY	CHK	APP	REVISION DESCRIPTION
1	01/08/24	MRV	DDA	LEP	REVISED PER CLIENT COMMENTS
0	12/11/18	MRV	DDA		ISSUED FOR APPROVAL

TRINITY

KIRBY INLAND MARINE

STRIPPING
PIPING FLOW DIAGRAM

SCALE: NONE	MMI 3039
PAGE: 3 OF 3	REV. 1