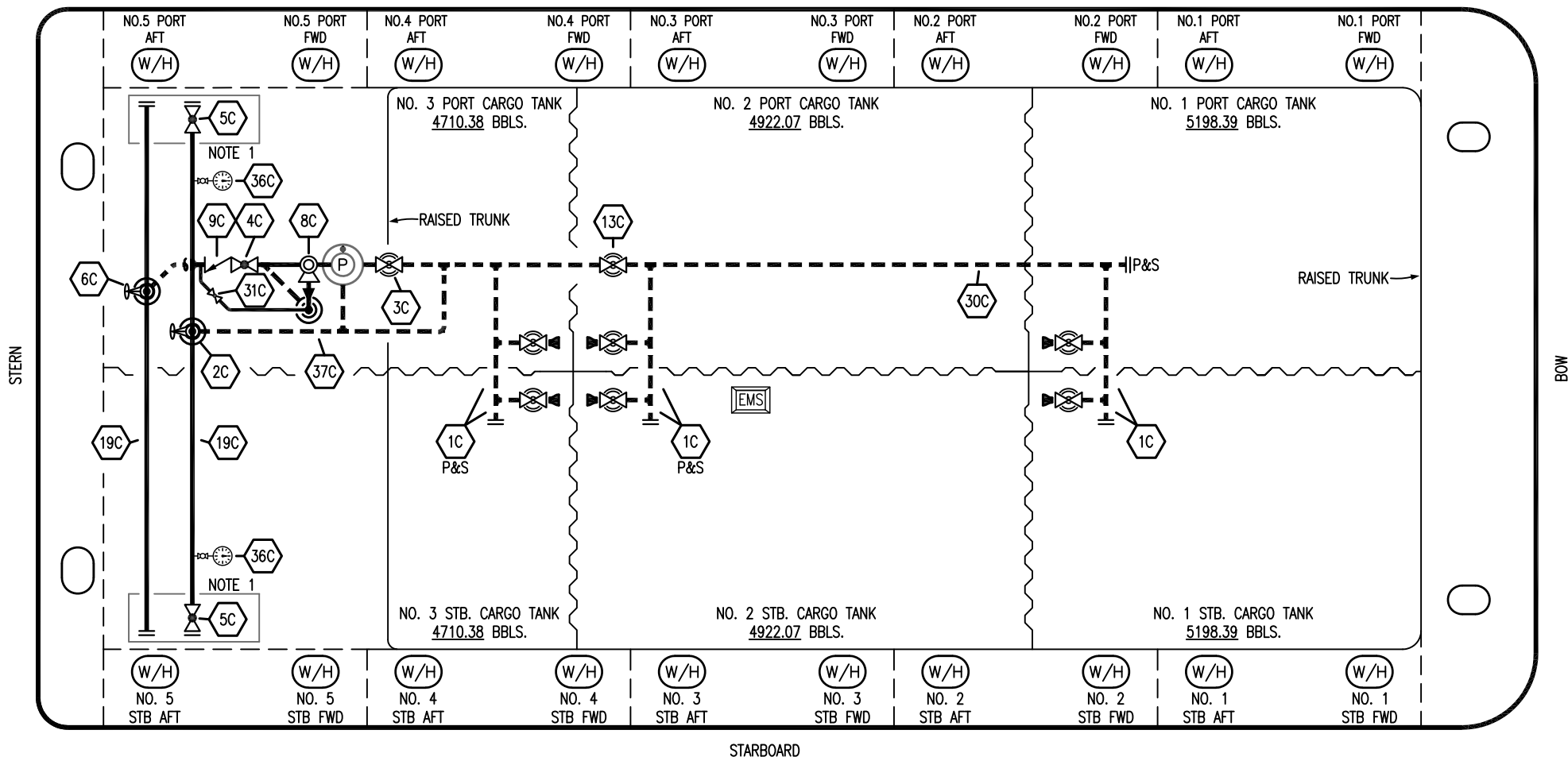


PORT



STARBOARD

- |    |                      |     |                          |
|----|----------------------|-----|--------------------------|
| NO | DESCRIPTION          | NO  | DESCRIPTION              |
| 1C | CARGO TANK VALVE     | 13C | CARGO PIPING BLOCK VALVE |
| 2C | LOAD VALVE           | 19C | CARGO HEADER             |
| 3C | MASTER SUCTION VALVE | 30C | CARGO PIPELINE           |
| 4C | DISCHARGE VALVE      | 31C | BYPASS VALVE             |
| 5C | HEADER VALVE         | 36C | PRESSURE GAUGE           |
| 6C | SALVAGE VALVE        | 37C | CARGO DROP               |
| 8C | RELIEF VALVE         | —   | — ABOVE DECK PIPING      |
| 9C | CHECK VALVE          | --- | --- BELOW DECK PIPING    |

NOTE 1: CONTAINMENT P/S

REV.	DATE	BY	CHK	APP	REVISION DESCRIPTION
2	11/27/23	MRV	DDA	DAR	REVISED PER CLIENT COMMENTS
1	12/30/22	MRV	DDA	DEM	REVISED PER CLIENT COMMENTS
0	10/31/18	MRV	DDA		ISSUED FOR APPROVAL

KIRBY INLAND MARINE 

**CARGO  
PIPING FLOW DIAGRAM**

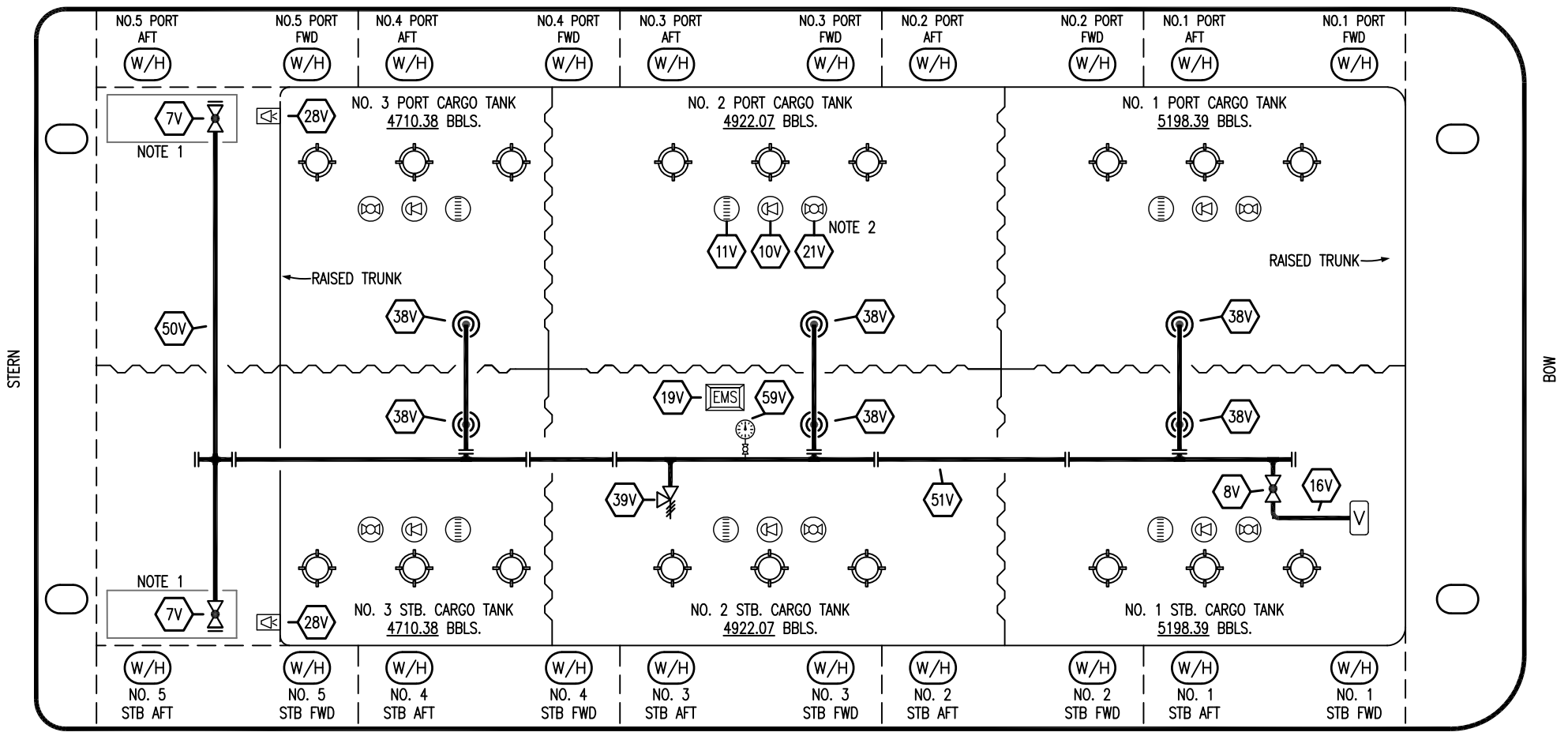
SCALE: NONE  
PAGE: 1 OF 3

**MMI 3038**

REV. **2**

TRINITY

PORT



STARBOARD

- |     |                            |     |                       |
|-----|----------------------------|-----|-----------------------|
| NO  | DESCRIPTION                | NO  | DESCRIPTION           |
| 7V  | HEADER VALVE               | 28V | DOCK CONNECTION ALARM |
| 8V  | VENT STACK VALVE           | 38V | VAPOR PENETRATION     |
| 10V | HIGH LEVEL/OVERFILL ALARM  | 39V | PRESSURE/VACUUM VALVE |
| 11V | 1-METER GAUGE STICK        | 50V | VAPOR HEADER          |
| 16V | VAPOR VENT STACK           | 51V | VAPOR PIPELINE        |
| 19V | EMERGENCY ENGINE SHUT DOWN | 59V | PRESS/VAC GAUGE       |
| 21V | HERMETIC GAUGE             |     | ABOVE DECK PIPING     |

NOTE 2: TYPICAL RIGGING IN EACH TANK  
 NOTE 1: CONTAINMENT P/S

TRINITY

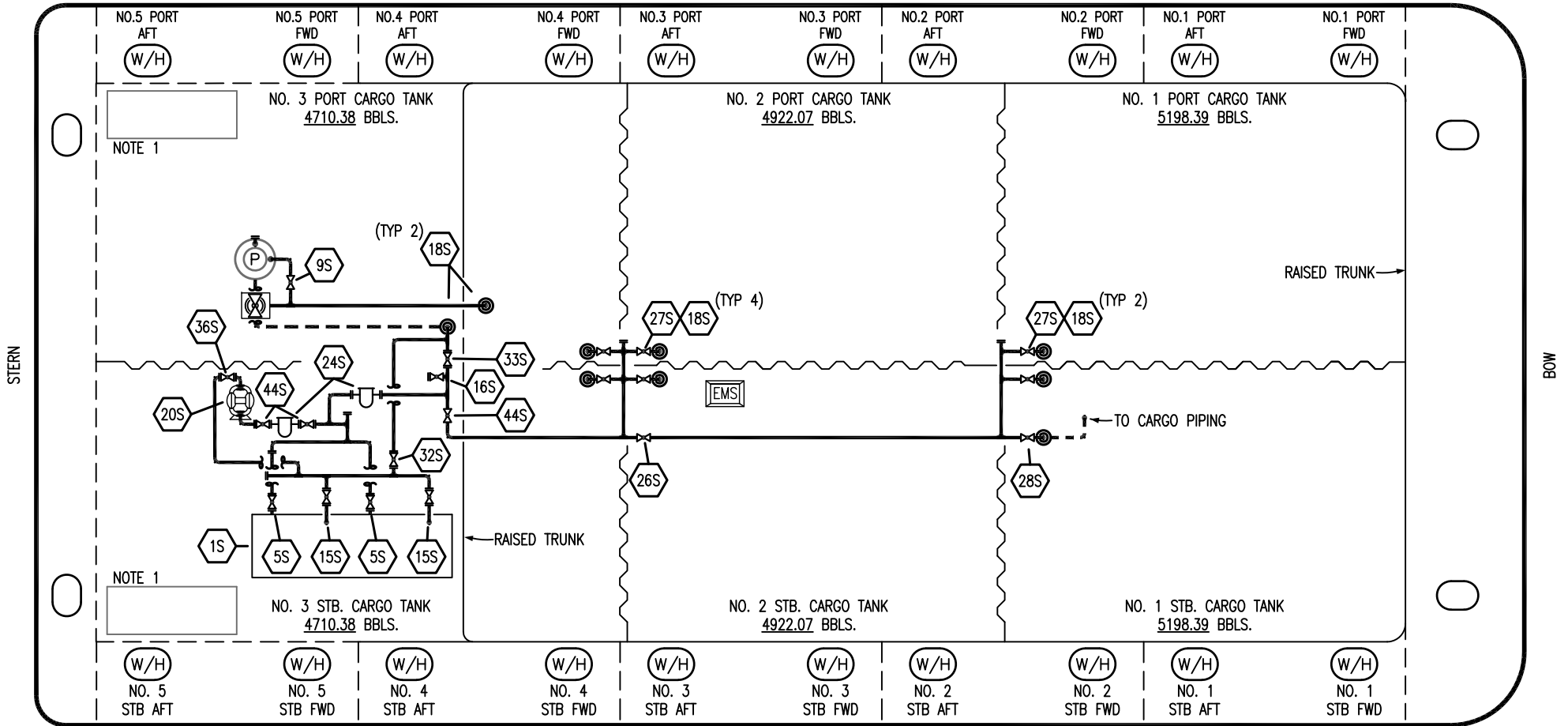
REV.	DATE	BY	CHK	APP	REVISION DESCRIPTION
2	11/27/23	MRV	DDA	DAR	REVISED PER CLIENT COMMENTS
1	12/30/22	MRV	DDA	DEM	REVISED PER CLIENT COMMENTS
0	10/31/18	MRV	DDA		ISSUED FOR APPROVAL

KIRBY INLAND MARINE

VAPOR  
PIPING FLOW DIAGRAM

SCALE: NONE	MMI 3038	REV. 2
PAGE: 2 OF 3		

PORT




STARBOARD

- |     |                                |     |                              |
|-----|--------------------------------|-----|------------------------------|
| NO  | DESCRIPTION                    | NO  | DESCRIPTION                  |
| 1S  | SLOP TANK                      | 26S | STRIPPING HEADER BLOCK VALVE |
| 5S  | SLOP TANK SUCTION VALVE        | 27S | SUMP SUCTION VALVE           |
| 9S  | BURP VALVE                     | 28S | CARGO PIPING SUCTION         |
| 15S | DISCHARGE VALVE                | 32S | PUMP WELL PRIMER VALVE       |
| 16S | REMOTE SUCTION CONNECTION      | 33S | PUMP WELL SUCTION            |
| 18S | TYP. STRIPPING PENETRATION (⊙) | 36S | STRIPPING PUMP DISCHARGE     |
| 20S | STRIPPING PUMP                 | 44S | STRIPPING PUMP SUCTION       |
| 24S | BASKET STRAINER                | --- | ABOVE DECK PIPING            |
|     |                                | --- | BELOW DECK PIPING            |

NOTE 1: CONTAINMENT P/S

REV.	DATE	BY	CHK	APP	REVISION DESCRIPTION
2	11/27/23	MRV	DDA	DAR	REVISED PER CLIENT COMMENTS
1	12/30.22	MRV	DDA	DEM	REVISED PER CLIENT COMMENTS
0	10/31/18	MRV	DDA		ISSUED FOR APPROVAL

TRINITY



**KIRBY INLAND MARINE**

**STRIPPING**

**PIPING FLOW DIAGRAM**

**MMI 3038**

SCALE: NONE	REV. 2
PAGE: 3 OF 3	