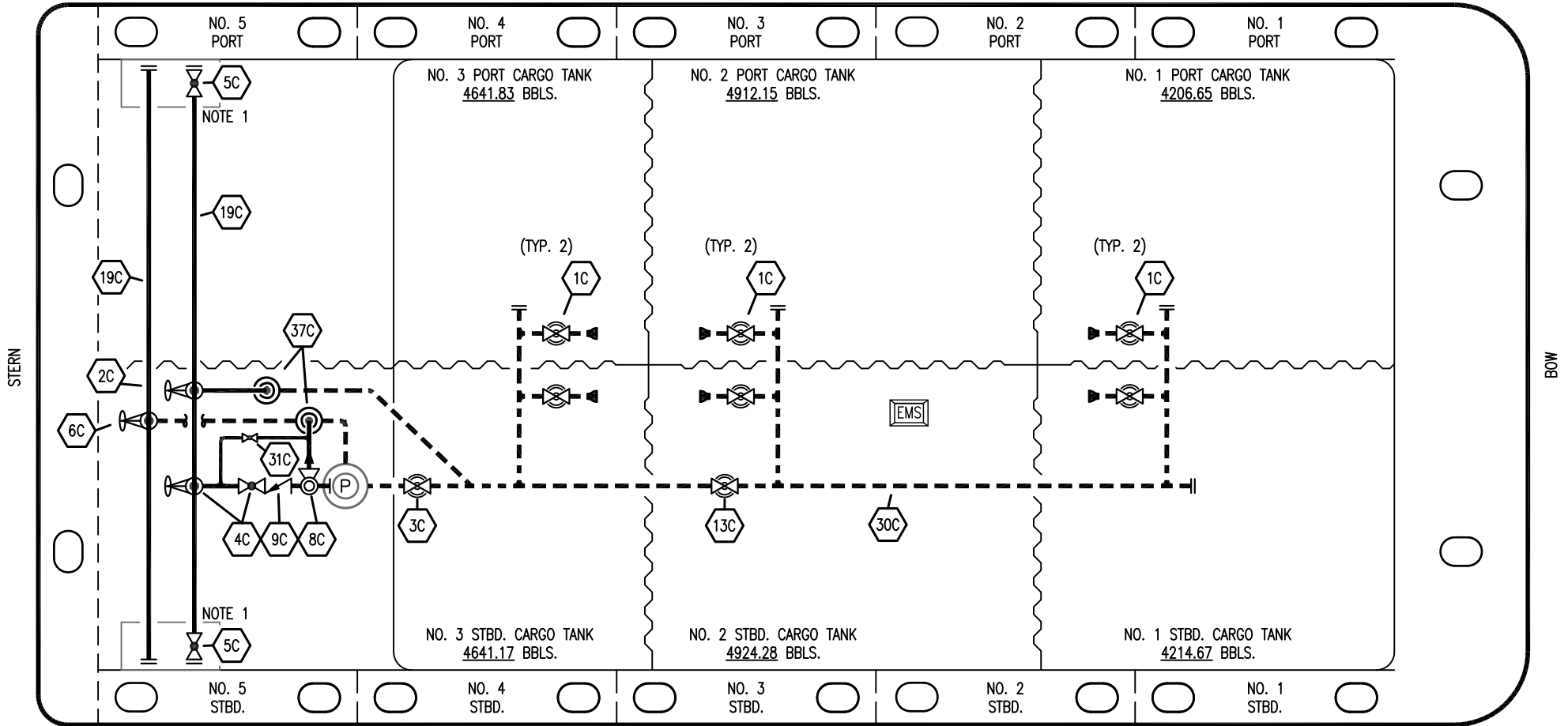



PORT




STARBOARD

NO	DESCRIPTION	NO	DESCRIPTION
1C	CARGO TANK VALVE	13C	CARGO PIPING BLOCK VALVE
2C	LOAD VALVE	19C	CARGO HEADER
3C	MASTER SUCTION VALVE	30C	CARGO PIPELINE
4C	DISCHARGE VALVE	31C	BYPASS VALVE
5C	HEADER VALVE	37C	CARGO DROP 
6C	SALVAGE VALVE	—	— ABOVE DECK PIPING
8C	RELIEF VALVE	- - -	BELOW DECK PIPING
9C	CHECK VALVE		

NOTE 1: CONTAINMENT P/S

JEFFBOAT

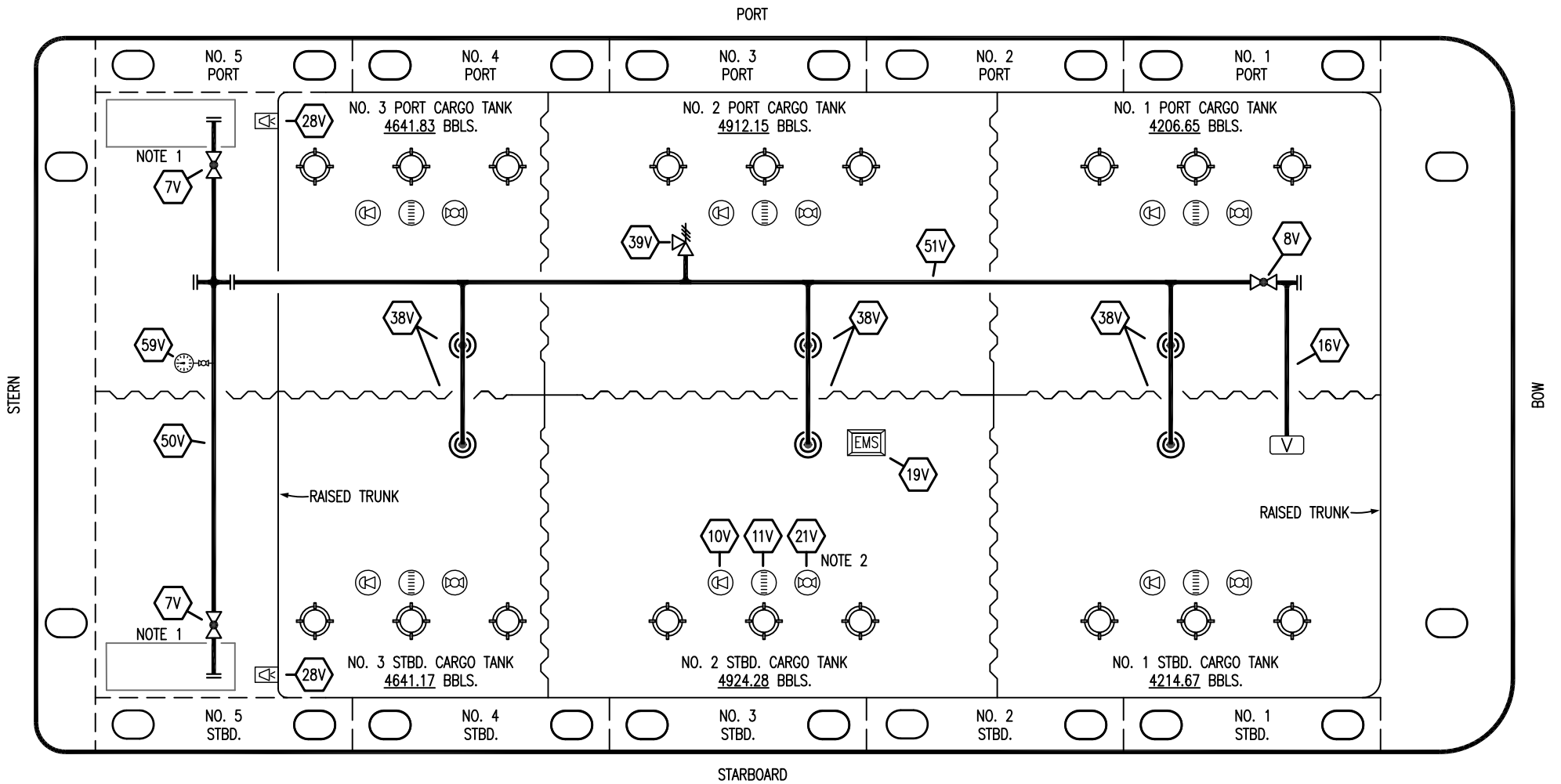
REV.	DATE	BY	CHK	APP	REVISION DESCRIPTION
2	08/07/23	MRV	DDA	MW	REVISED PER CLIENT COMMENTS
1	07/10/18	WFB	DDA		REVISED PER CLIENT COMMENTS
0	05/11/18	WFB	DDA		ISSUED FOR APPROVAL

KIRBY INLAND MARINE 

CARGO

PIPING FLOW DIAGRAM

SCALE: NONE	MMI 2803
PAGE: 1 OF 3	REV. 2



NO	DESCRIPTION	NO	DESCRIPTION
7V	HEADER VALVE	28V	DOCK CONNECTION ALARM
8V	VENT STACK VALVE	38V	VAPOR PENETRATION
10V	HIGH LEVEL/OVERFILL ALARM	39V	PRESSURE/VACUUM VALVE
11V	1-METER GAUGE STICK	50V	VAPOR HEADER
16V	VAPOR VENT STACK	51V	VAPOR PIPELINE
19V	EMERGENCY ENGINE SHUT DOWN	59V	PRESS/VAC GAUGE
21V	HERMETIC GAUGE	—	ABOVE DECK PIPING

NOTE 2: TYPICAL RIGGING IN EACH TANK
 NOTE 1: CONTAINMENT P/S

REV.	DATE	BY	CHK	APP	REVISION DESCRIPTION
1	08/07/23	MRV	DDA	MW	REVISED PER CLIENT COMMENTS
0	05/11/18	WFB	DDA		ISSUED FOR APPROVAL

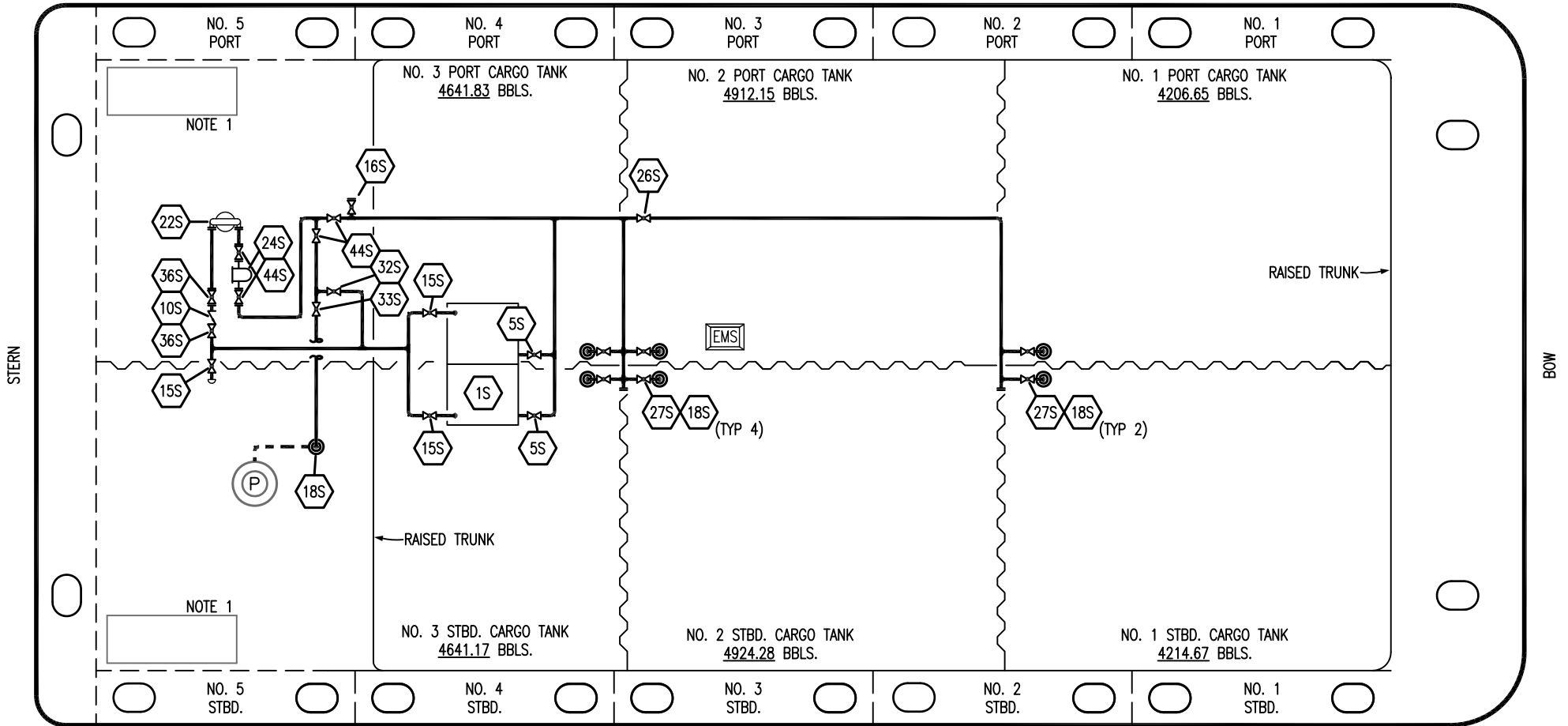
TRINITY

KIRBY INLAND MARINE

**VAPOR
PIPING FLOW DIAGRAM**

SCALE: NONE	MMI 2803	REV. 1
PAGE: 2 OF 3		

PORT




STARBOARD

- | | | | |
|-----------|--------------------------------|-----------|------------------------------|
| NO | DESCRIPTION | NO | DESCRIPTION |
| 1S | SLOP TANK | 26S | STRIPPING HEADER BLOCK VALVE |
| 5S | SLOP TANK SUCTION VALVE | 27S | SUMP SUCTION VALVE |
| 10S | STRIPPING PUMP CHECK VALVE | 32S | PUMP WELL PRIMER VALVE |
| 15S | DISCHARGE VALVE | 33S | PUMP WELL SUCTION |
| 16S | REMOTE SUCTION CONNECTION | 36S | STRIPPING PUMP DISCHARGE |
| 18S | TYP. STRIPPING PENETRATION (⊙) | 44S | STRIPPING PUMP SUCTION |
| 22S | STRIPPING PUMP | — | ABOVE DECK PIPING |
| 24S | BASKET STRAINER | - - - | BELOW DECK PIPING |

NOTE 1: CONTAINMENT P/S

REV.	DATE	BY	CHK	APP	REVISION DESCRIPTION
1	08/07/23	MRV	DDA	MW	REVISED PER CLIENT COMMENTS
0	05/17/18	WFB	DDA		ISSUED FOR APPROVAL

TRINITY



KIRBY INLAND MARINE

STRIPPING

PIPING FLOW DIAGRAM

MMI 2803

SCALE: NONE	REV. 1
PAGE: 3 OF 3	