


- NO DESCRIPTION
- 1C CARGO TANK VALVE
- 2C LOAD VALVE
- 3C MASTER SUCTION VALVE
- 4C DISCHARGE VALVE
- 5C HEADER VALVE
- 8C RELIEF VALVE
- 9C CHECK VALVE
- 11C BLEED OFF VALVE

- NO DESCRIPTION
- 15C BYPASS VALVE (AROUND CHECK VALVE)
- 19C CARGO HEADER
- 30C CARGO PIPELINE
- 37C CARGO DROP

— ABOVE DECK PIPING
 - - - BELOW DECK PIPING

PLATZER - EX: HW 3030

REV.	DATE	BY	CHK	APP	REVISION DESCRIPTION
2	06/05/24	AC	DDA	DAR	REVISED PER CLIENT COMMENTS
1	02/11/09	RB	OF	OF	ADDED RELIEF VALVE
0	02/02/09	RB	WK	OF	APPROVED

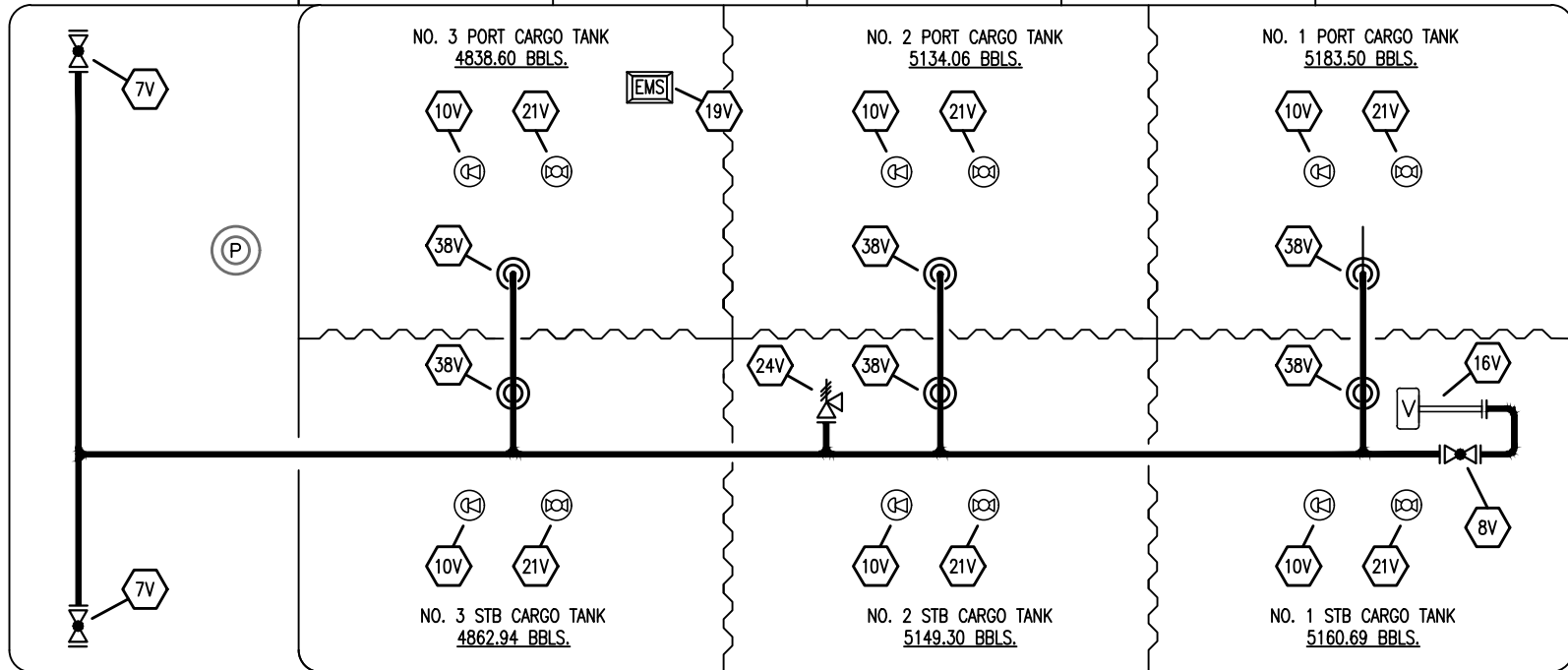
KIRBY INLAND MARINE		
CARGO		
PIPING FLOW DIAGRAM		
SCALE: NONE	KIRBY 30400	
PAGE: 1 OF 3		
		REV. 2

NO.5 PORT AFT NO.5 PORT FWD NO.4 PORT AFT NO.4 PORT FWD NO.3 PORT AFT NO.3 PORT FWD NO.2 PORT AFT NO.2 PORT FWD NO.1 PORT AFT NO.1 PORT FWD

(W/H) (W/H) (W/H) (W/H) (W/H) (W/H) (W/H) (W/H) (W/H) (W/H)

STERN

BOW



(W/H) (W/H) (W/H) (W/H) (W/H) (W/H) (W/H) (W/H) (W/H) (W/H)

NO	DESCRIPTION	NO. 5 STB AFT	NO. 5 STB FWD	NO. 4 STB AFT	NO. 4 STB FWD	NO. 3 STB AFT	NO. 3 STB FWD	NO. 2 STB AFT	NO. 2 STB FWD	NO. 1 STB AFT	NO. 1 STB FWD
----	-------------	---------------	---------------	---------------	---------------	---------------	---------------	---------------	---------------	---------------	---------------

- 7V HEADER VALVE
- 8V VENT STACK VALVE
- 10V HIGH LEVEL/OVERFILL ALARM
- 16V VAPOR VENT STACK
- 19V EMERGENCY SHUTDOWN SYSTEM
- 21V HERMETIC GAUGE
- 24V PRESSURE RELIEF VALVE
- 38V VAPOR DROP

— ABOVE DECK PIPING

PLATZER - EX: HW 3030

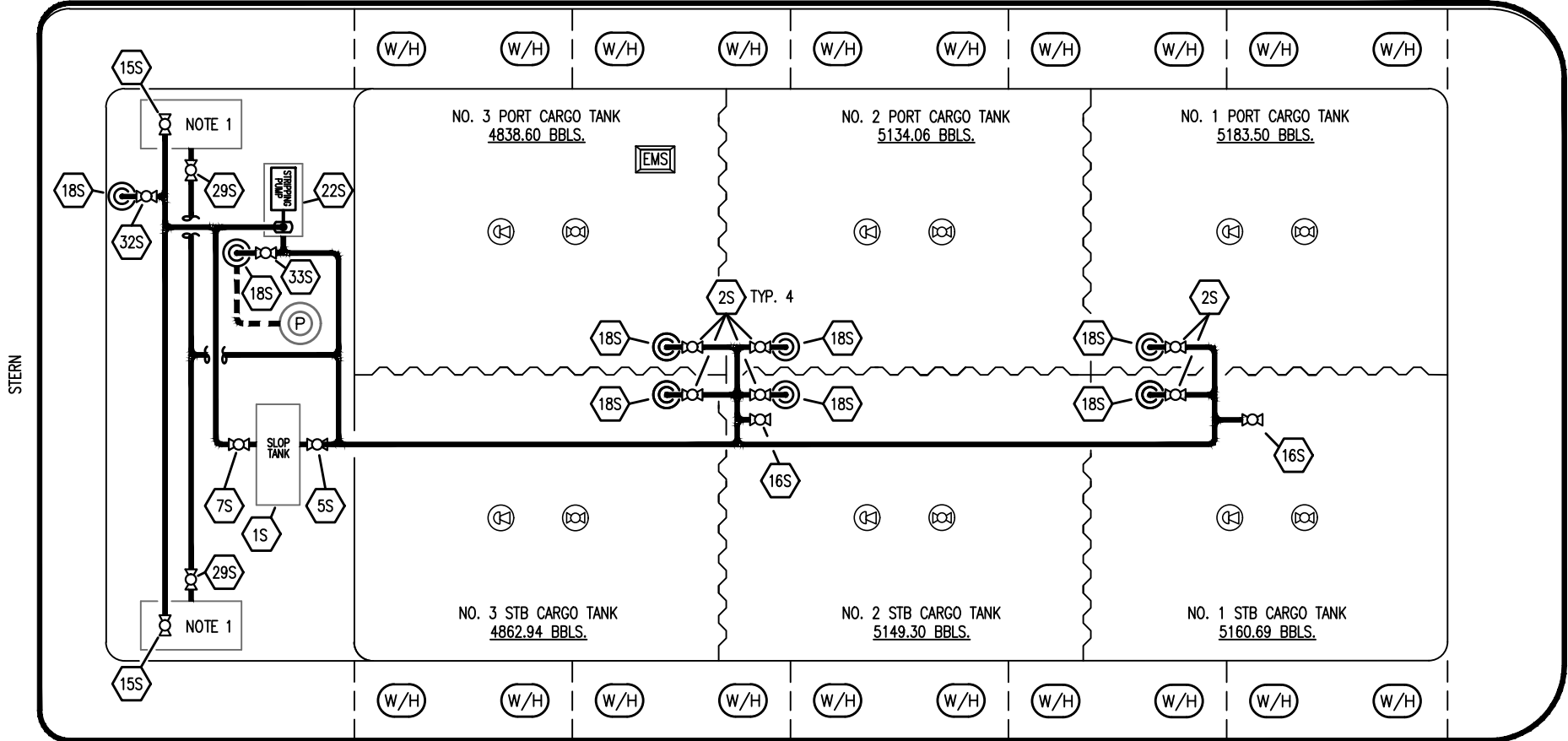
1	06/05/24	AC	DDA	DAR	REVISED PER CLIENT COMMENTS		
0	02/02/09	RB	WK	OF	APPROVED		
REV.	DATE	BY	CHK	APP	REVISION DESCRIPTION		

KIRBY INLAND MARINE

VAPOR
PIPING FLOW DIAGRAM

SCALE: NONE	KIRBY 30400	REV. 1
PAGE: 2 OF 3		

NO.5 PORT AFT NO.5 PORT FWD NO.4 PORT AFT NO.4 PORT FWD NO.3 PORT AFT NO.3 PORT FWD NO.2 PORT AFT NO.2 PORT FWD NO.1 PORT AFT NO.1 PORT FWD




NO	DESCRIPTION	NO. 5 STB AFT	NO. 5 STB FWD	NO. 4 STB AFT	NO. 4 STB FWD	NO. 3 STB AFT	NO. 3 STB FWD	NO. 2 STB AFT	NO. 2 STB FWD	NO. 1 STB AFT	NO. 1 STB FWD
----	-------------	---------------	---------------	---------------	---------------	---------------	---------------	---------------	---------------	---------------	---------------

- 1S SLOP TANK
- 2S CARGO TANK VALVE
- 5S SLOP TANK SUCTION VALVE
- 7S SLOP TANK DISCHARGE VALVE
- 15S DISCHARGE CARGO VALVE
- 16S REMOTE SUCTION CONNECTION
- 18S STRIPPING DROP
- 22S STRIPPING PUMP
- 29S DRIP PAN SUCTION VALVE
- 32S PUMP WELL PRIMER VALVE
- 33S PUMP WELL SUCTION

— ABOVE DECK PIPING
 - - - BELOW DECK PIPING

NOTE 1: CONTAINMENT- PORT & STB.

PLATZER - EX: HW 3030

						KIRBY INLAND MARINE 	
1	06/05/24	AC	DDA	DAR	REVISED PER CLIENT COMMENTS		SCALE: NONE
0	02/02/09	RB	WK	OF	APPROVED		
REV.	DATE	BY	CHK	APP	REVISION DESCRIPTION		PAGE: 3 OF 3

KIRBY 30400

REV. **1**