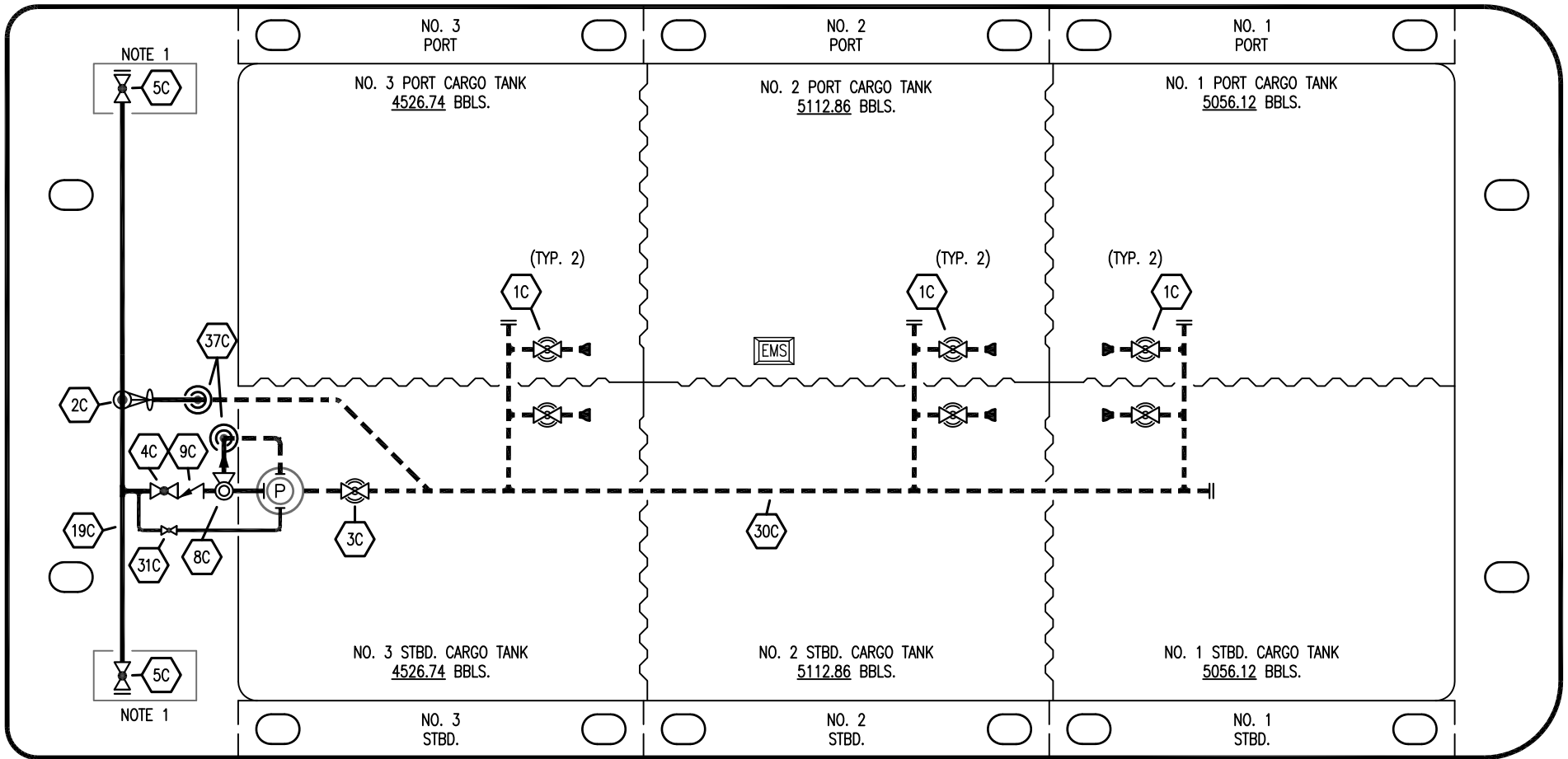


PORT

STERN


BOW

STARBOARD



NOTE 1

NOTE 1

- | | | | |
|-----------|----------------------|-----------|--|
| NO | DESCRIPTION | NO | DESCRIPTION |
| 1C | CARGO TANK VALVE | 19C | CARGO HEADER |
| 2C | LOAD VALVE | 30C | CARGO PIPELINE |
| 3C | MASTER SUCTION VALVE | 31C | BYPASS VALVE |
| 4C | DISCHARGE VALVE | 37C | CARGO DROP  |
| 5C | HEADER VALVE | — | ABOVE DECK PIPING |
| 8C | RELIEF VALVE | - - - | BELOW DECK PIPING |
| 9C | CHECK VALVE | | |

NOTE 1: CONTAINMENT P/S

TRINITY MARINE – EX. WTC 3019

REV.	DATE	BY	CHK	APP	REVISION DESCRIPTION
1	10/05/23	MRV	DDA	DAR	REVISED PER CLIENT COMMENTS
0	01/16/19	MRV	DDA		REVISED BARGE NAME
A	11/16/16	WFB	DDA		ISSUED FOR APPROVAL

KIRBY INLAND MARINE 

**CARGO
PIPING FLOW DIAGRAM**

SCALE: NONE
PAGE: 1 OF 3

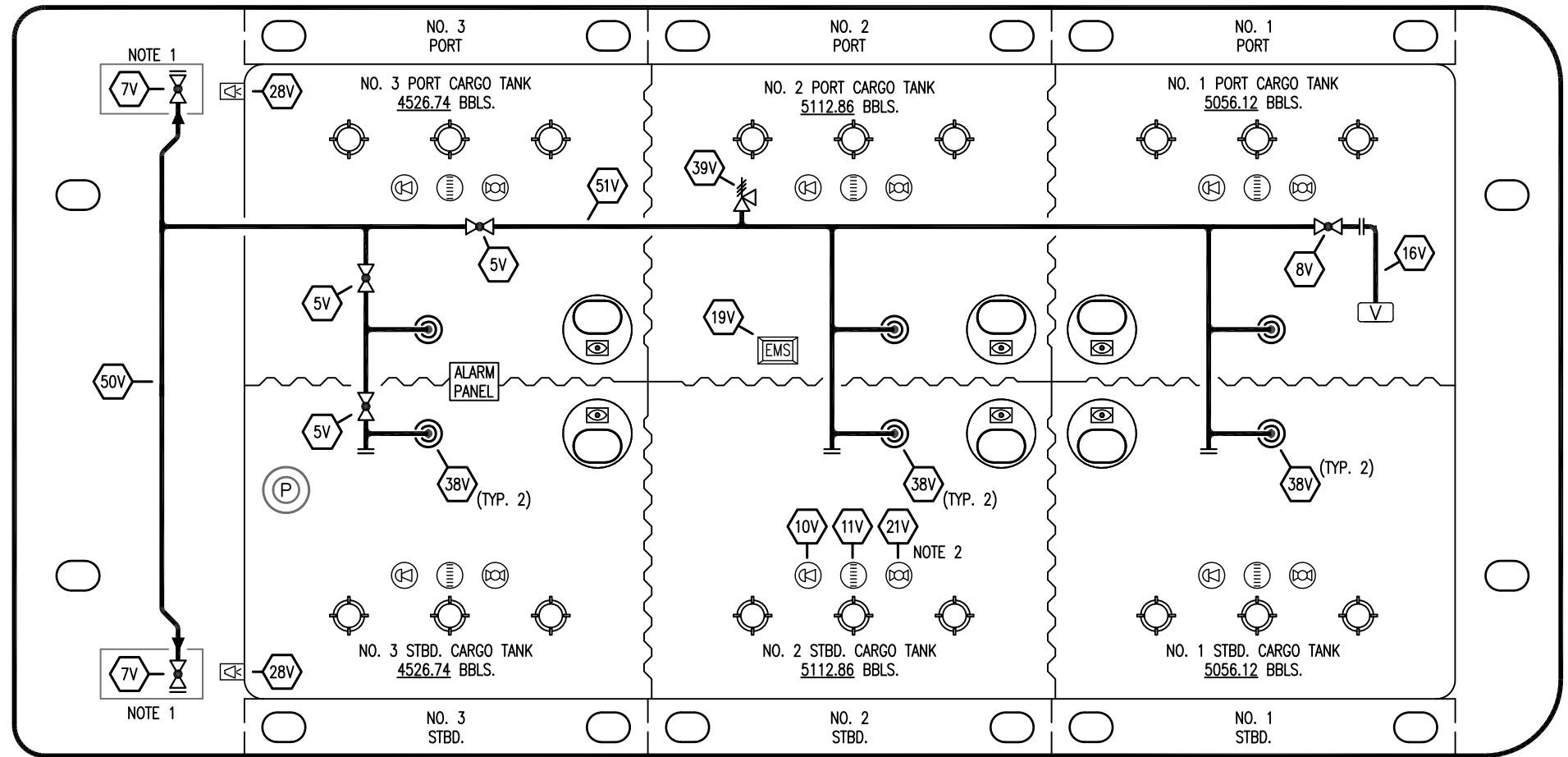
KIRBY 30088

REV. **1**

PORT

STERN

BOW



NO	DESCRIPTION	NO	DESCRIPTION
5V	BLOCK VALVE	28V	DOCK CONNECTION ALARM
7V	HEADER VALVE	38V	VAPOR DROP OR PENETRATION
8V	VENT STACK VALVE	39V	PRESSURE/VACUUM RELIEF VALVE
10V	HIGH LEVEL/OVERFILL ALARM	50V	VAPOR HEADER
11V	GAUGE STICK	51V	VAPOR PIPELINE
16V	VAPOR VENT STACK	—	ABOVE DECK PIPING
19V	EMERGENCY SHUT DOWN	- - -	BELOW DECK PIPING
21V	HERMETIC GAUGE		

STARBOARD

NOTE 2: TYPICAL RIGGING IN EACH TANK

NOTE 1: CONTAINMENT P/S

TRINITY MARINE – EX. WTC 3019

REV.	DATE	BY	CHK	APP	REVISION DESCRIPTION
1	10/05/23	MRV	DDA	DAR	REVISED PER CLIENT COMMENTS
0	01/16/19	MRV	DDA		REVISED BARGE NAME
A	11/16/16	WFB	DDA		ISSUED FOR APPROVAL

KIRBY INLAND MARINE 

**VAPOR
PIPING FLOW DIAGRAM**

SCALE: NONE
PAGE: 2 OF 3

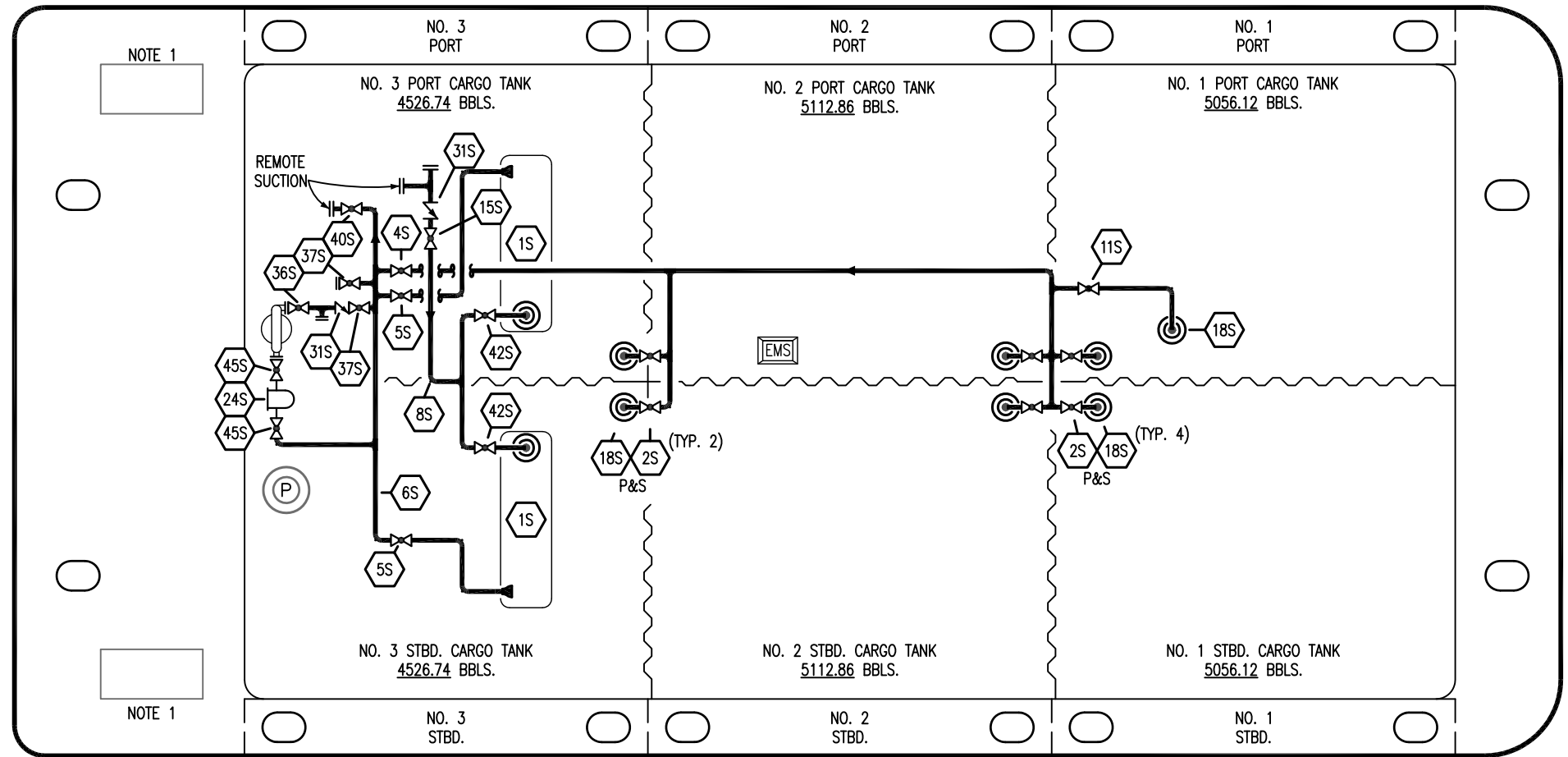
KIRBY 30088

REV. **1**

PORT

STERN

BOW



NOTE 1

NOTE 1


NO	DESCRIPTION	NO	DESCRIPTION
1S	SLOP TANK	33S	PUMP WELL SUCTION VALVE
2S	CARGO SUMP SUCTION VALVE	36S	STRIPPING PUMP DISCHARGE VALVE
5S	SLOP TANK SUCTION VALVE	37S	BLOCK VALVE
6S	SUCTION HEADER PIPING	40S	HEADER SUCTION VALVE
8S	DISCHARGE HEADER PIPING	42S	SLOP TANK FILL VALVE
15S	HEADER DISCHARGE VALVE	43S	DRIP PAN SUCTION VALVE
18S	STRIPPING DROP (P&S)	45S	STRIPPING PUMP SUCTION VALVE
24S	BASKET STRAINER	---	ABOVE DECK PIPING
31S	CHECK VALVE	---	BELOW DECK PIPING

STARBOARD

NOTE 1: CONTAINMENT P/S

TRINITY MARINE -- EX. WTC 3019

REV.	DATE	BY	CHK	APP	REVISION DESCRIPTION
1	10/05/23	MRV	DDA	DAR	REVISED PER CLIENT COMMENTS
0	01/16/19	MRV	DDA		REVISIED BARGE NAME
A	11/16/16	WFB	DDA		ISSUED FOR APPROVAL

KIRBY INLAND MARINE 

STRIPPING PIPING FLOW DIAGRAM

KIRBY 30088

SCALE: NONE
PAGE: 3 OF 3

REV. **1**