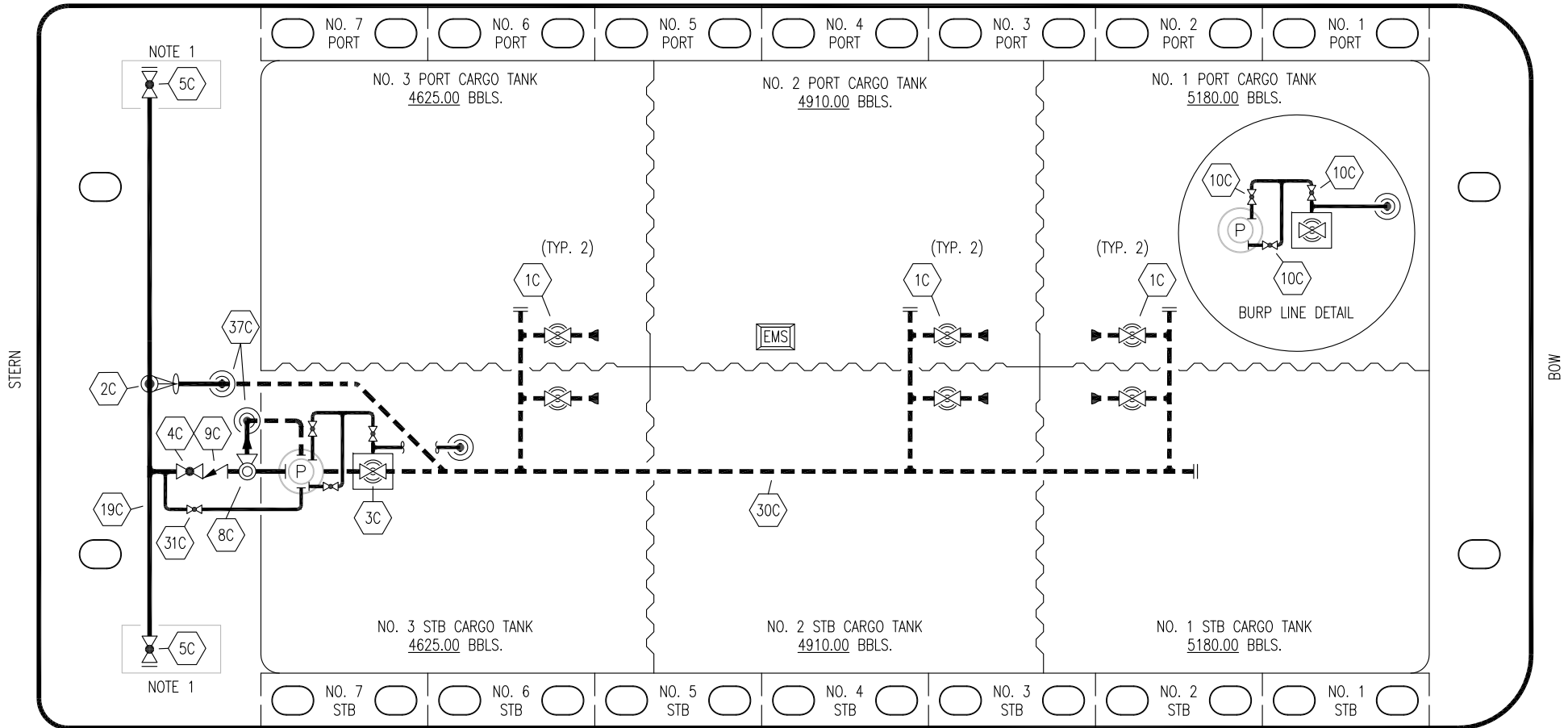


PORT



STARBOARD

NO	DESCRIPTION	NO	DESCRIPTION
1C	8" CARGO TANK VALVE	19C	8" CARGO HEADER
2C	8" LOAD VALVE	30C	10" CARGO PIPELINE
3C	10" MASTER SUCTION VALVE	31C	BYPASS VALVE
4C	8" DISCHARGE VALVE	37C	CARGO DROP
5C	8" HEADER VALVE	—	— ABOVE DECK PIPING
8C	6" RELIEF VALVE	---	--- BELOW DECK PIPING
9C	8" CHECK VALVE		
10C	BURP VALVE		

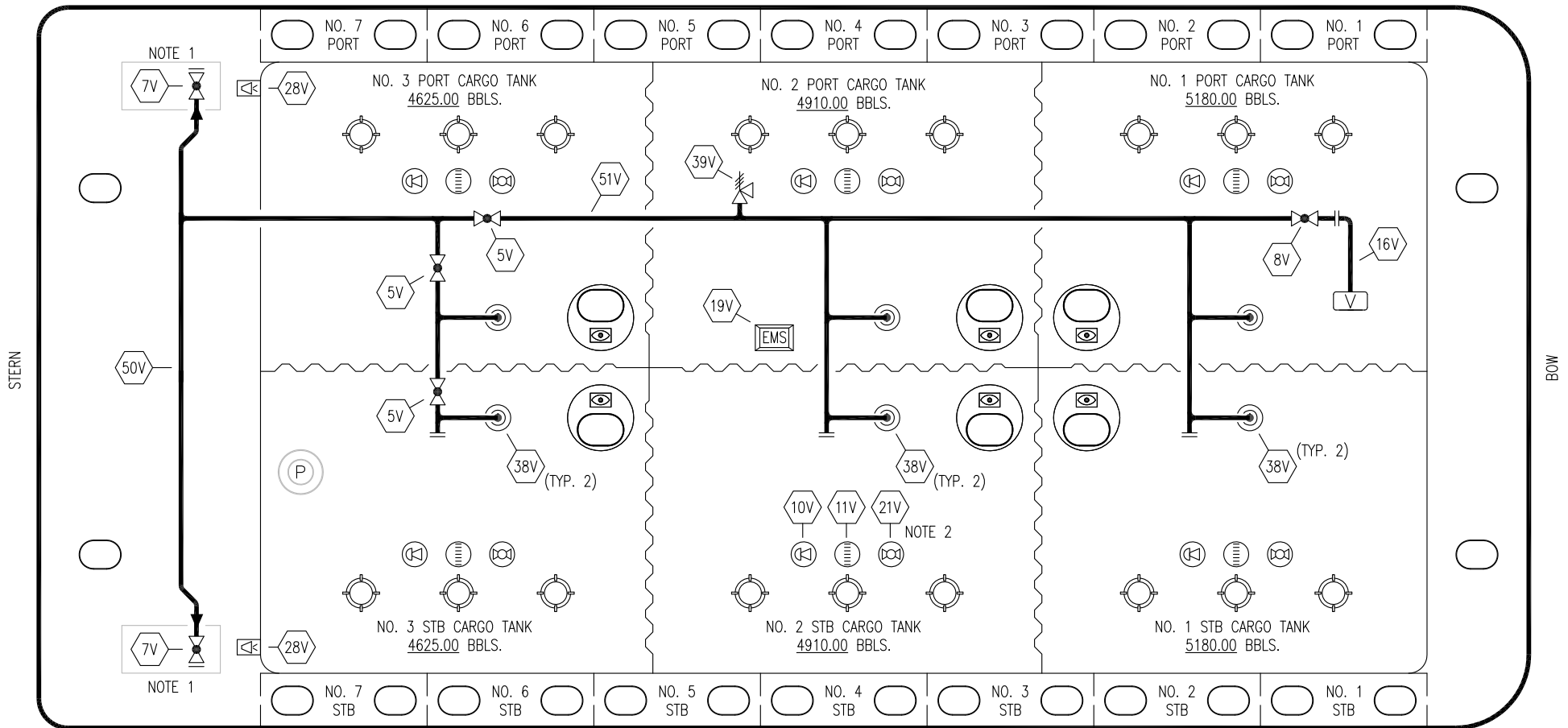
NOTE 1: CONTAINMENT P/S

TRINITY MARINE – EX. WTC 3016–3019

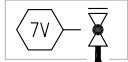
1	02/09/18	WFB	DDA		REVISED PER CLIENT COMMENTS
0	11/16/16	WFB	DDA		ISSUED FOR APPROVAL
REV.	DATE	BY	CHK	APP	REVISION DESCRIPTION

<b>CARGO</b> <b>PIPING FLOW DIAGRAM</b>	
SCALE: NONE	<b>KIRBY 30087</b>
PAGE: 1 OF 3	
REV. 1	

PORT



NOTE 1



NOTE 1



- |     |                           |
|-----|---------------------------|
| NO  | DESCRIPTION               |
| 5V  | BLOCK VALVE               |
| 7V  | HEADER VALVE              |
| 8V  | VENT STACK VALVE          |
| 10V | HIGH LEVEL/OVERFILL ALARM |
| 11V | GAUGE STICK               |
| 16V | VAPOR VENT STACK          |
| 19V | EMERGENCY SHUT DOWN       |
| 21V | HERMETIC GAUGE            |

- |     |                              |
|-----|------------------------------|
| NO  | DESCRIPTION                  |
| 28V | DOCK CONNECTION ALARM        |
| 38V | VAPOR DROP OR PENETRATION    |
| 39V | PRESSURE/VACUUM RELIEF VALVE |
| 50V | VAPOR HEADER                 |
| 51V | VAPOR PIPELINE               |
|     | ABOVE DECK PIPING            |
|     | BELOW DECK PIPING            |

STARBOARD

NOTE 2: TYPICAL RIGGING IN EACH TANK

NOTE 1: CONTAINMENT P/S

TRINITY MARINE – EX. WTC 3016–3019

KIRBY INLAND MARINE

**VAPOR  
PIPING FLOW DIAGRAM**

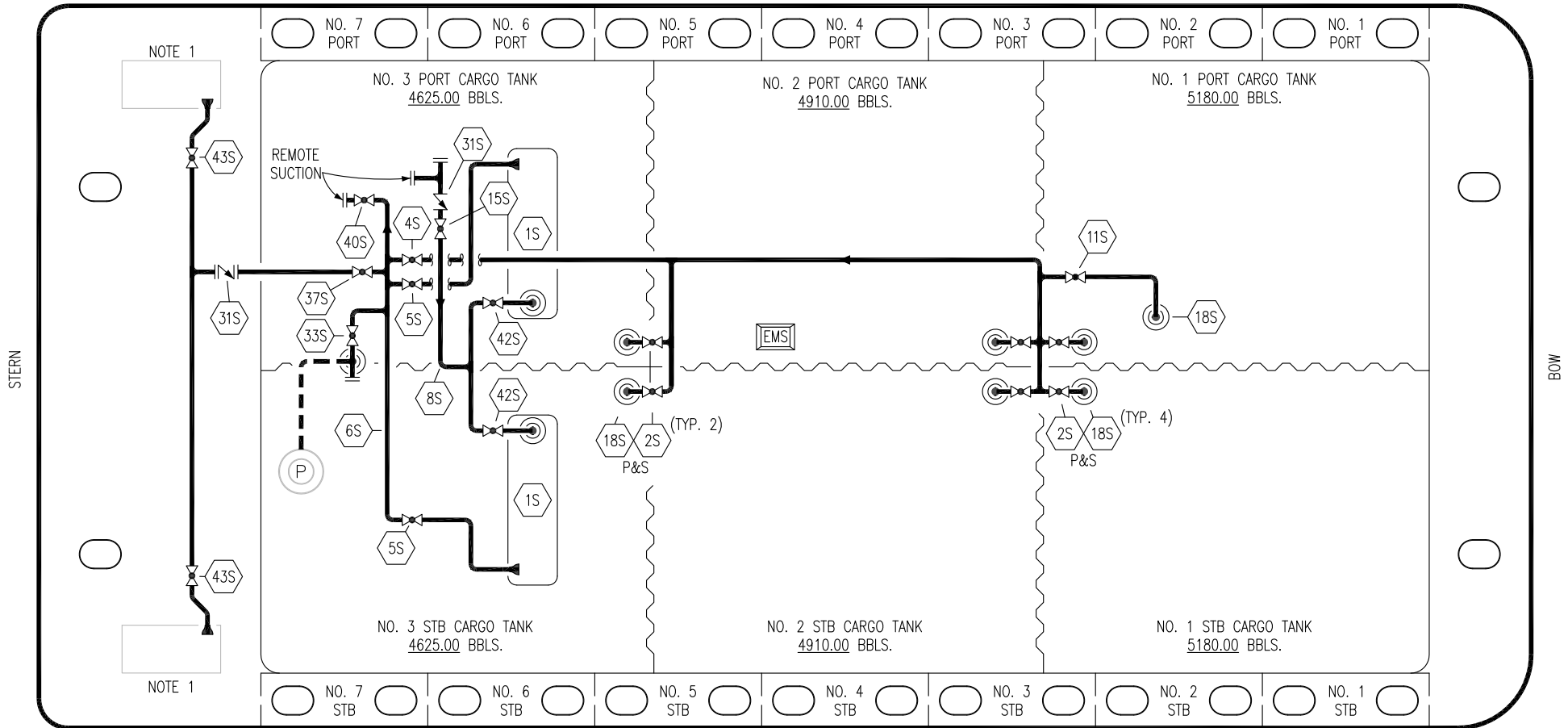
1	02/09/18	WFB	DDA	REVISED PER CLIENT COMMENTS	
0	11/16/16	WFB	DDA	ISSUED FOR APPROVAL	
REV.	DATE	BY	CHK	APP	REVISION DESCRIPTION

SCALE: NONE  
PAGE: 2 OF 3

**KIRBY 30087**

REV. **1**

PORT



NOTE 1

NOTE 1

NO	DESCRIPTION	NO	DESCRIPTION
1S	SLOP TANK	31S	CHECK VALVE
2S	CARGO SUMP SUCTION VALVE	33S	PUMP WELL SUCTION VALVE
5S	SLOP TANK SUCTION VALVE	37S	BLOCK VALVE
6S	SUCTION HEADER PIPING	40S	HEADER SUCTION VALVE
8S	DISCHARGE HEADER PIPING	42S	SLOP TANK FILL VALVE
15S	HEADER DISCHARGE VALVE	43S	DRIP PAN SUCTION VALVE
18S	STRIPPING DROP		
		---	ABOVE DECK PIPING
		---	BELOW DECK PIPING

STARBOARD

NOTE 1: CONTAINMENT P/S

TRINITY MARINE – EX. WTC 3016–3019

KIRBY INLAND MARINE 

**STRIPPING  
PIPING FLOW DIAGRAM**

REV.	DATE	BY	CHK	APP	REVISION DESCRIPTION
1	02/09/18	WFB	DDA		REVISED PER CLIENT COMMENTS
0	11/16/16	WFB	DDA		ISSUED FOR APPROVAL

SCALE: NONE  
PAGE: 3 OF 3

**KIRBY 30087**

REV. **1**