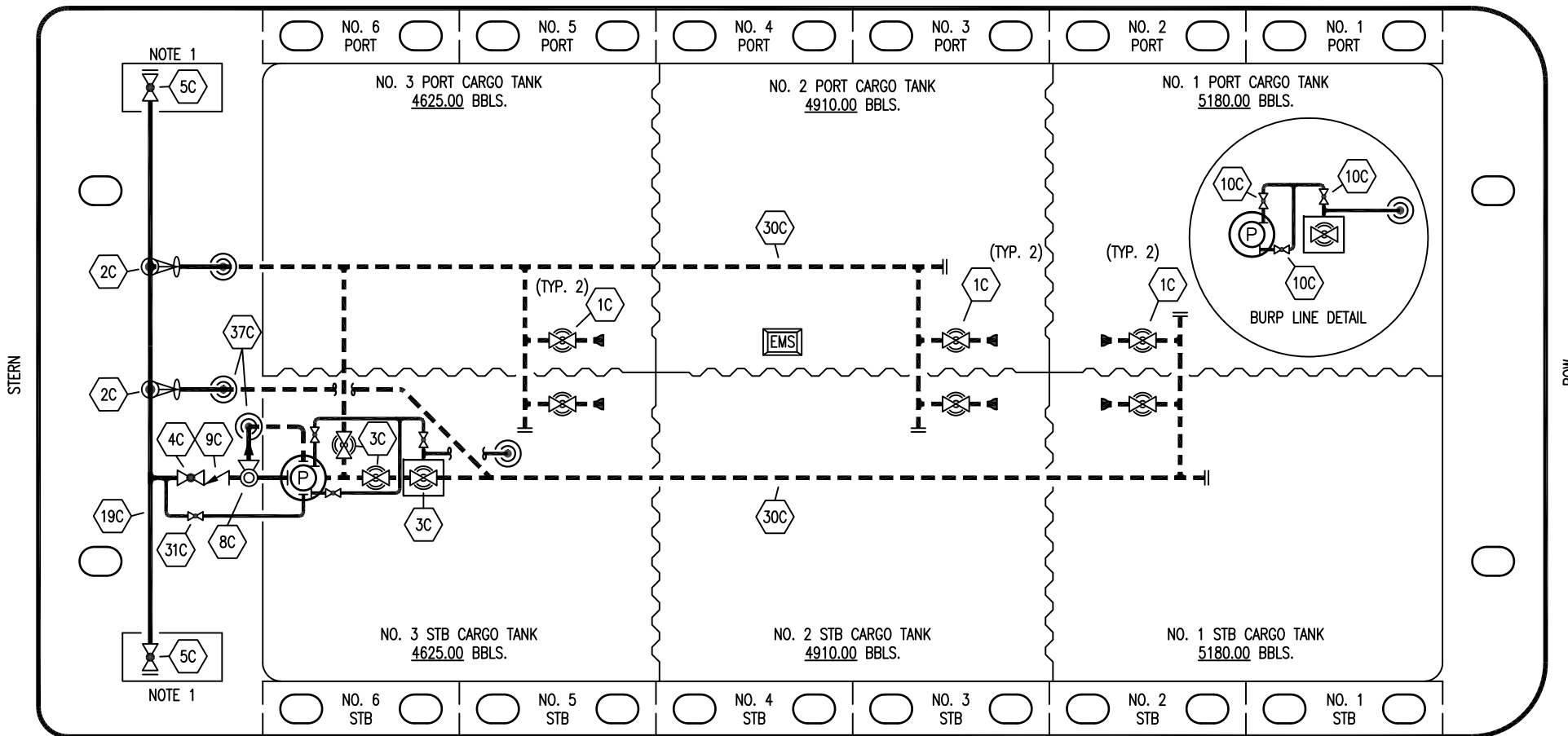


PORT



STERN

BOW


STARBOARD

NO	DESCRIPTION	NO	DESCRIPTION
1C	8" CARGO TANK VALVE	19C	8" CARGO HEADER
2C	8" LOAD VALVE	30C	10" CARGO PIPELINE
3C	10" MASTER SUCTION VALVE	31C	BYPASS VALVE
4C	8" DISCHARGE VALVE	37C	CARGO DROP
5C	8" HEADER VALVE	—	— ABOVE DECK PIPING
8C	6" RELIEF VALVE	---	--- BELOW DECK PIPING
9C	8" CHECK VALVE		
10C	BURP VALVE		

NOTE 1: CONTAINMENT P/S

TRINITY MARINE – EX. WTC 3007–3008

REV.	DATE	BY	CHK	APP	REVISION DESCRIPTION
1	12/18/17	WFB	DDA		REVISED PER CLIENT COMMENTS
0	04/28/17	WFB	DDA		ISSUED FOR APPROVAL



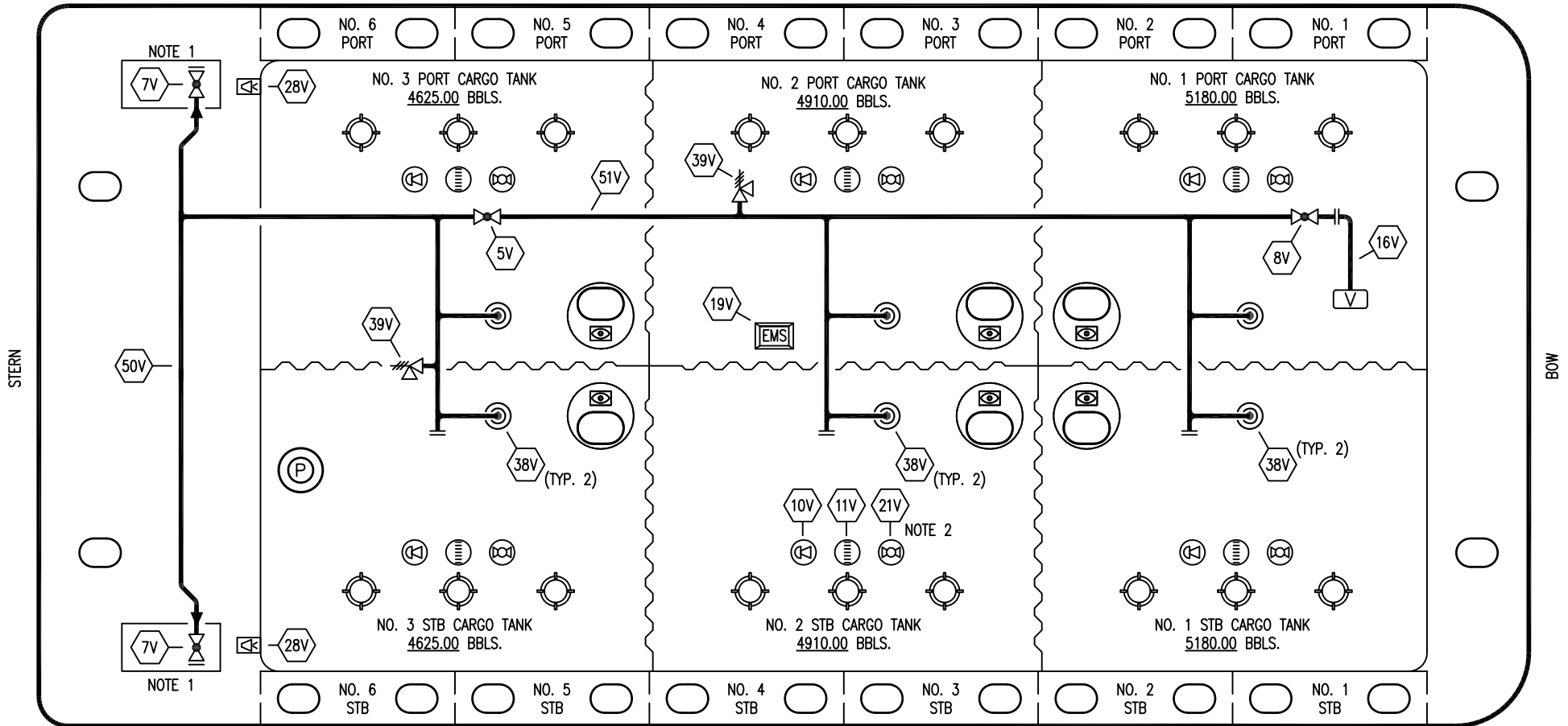
KIRBY INLAND MARINE

CARGO

PIPING FLOW DIAGRAM

KIRBY 30077	REV. 1
SCALE: NONE	PAGE: 1 OF 3

PORT



- | | |
|-----|---------------------------|
| NO | DESCRIPTION |
| 5V | BLOCK VALVE |
| 7V | HEADER VALVE |
| 8V | VENT STACK VALVE |
| 10V | HIGH LEVEL/OVERFILL ALARM |
| 11V | GAUGE STICK |
| 16V | VAPOR VENT STACK |
| 19V | EMERGENCY SHUT DOWN |
| 21V | HERMETIC GAUGE |

- | | |
|-------|-------------------------------|
| NO | DESCRIPTION |
| 28V | DOCK CONNECTION ALARM |
| 38V | VAPOR DROP OR PENETRATION (P) |
| 39V | PRESSURE/VACUUM RELIEF VALVE |
| 50V | VAPOR HEADER |
| 51V | VAPOR PIPELINE |
| — | ABOVE DECK PIPING |
| - - - | BELOW DECK PIPING |

STARBOARD

NOTE 2: TYPICAL RIGGING IN EACH TANK

NOTE 1: CONTAINMENT P/S

TRINITY MARINE – EX. WTC 3007–3008

KIRBY INLAND MARINE 

**VAPOR
PIPING FLOW DIAGRAM**

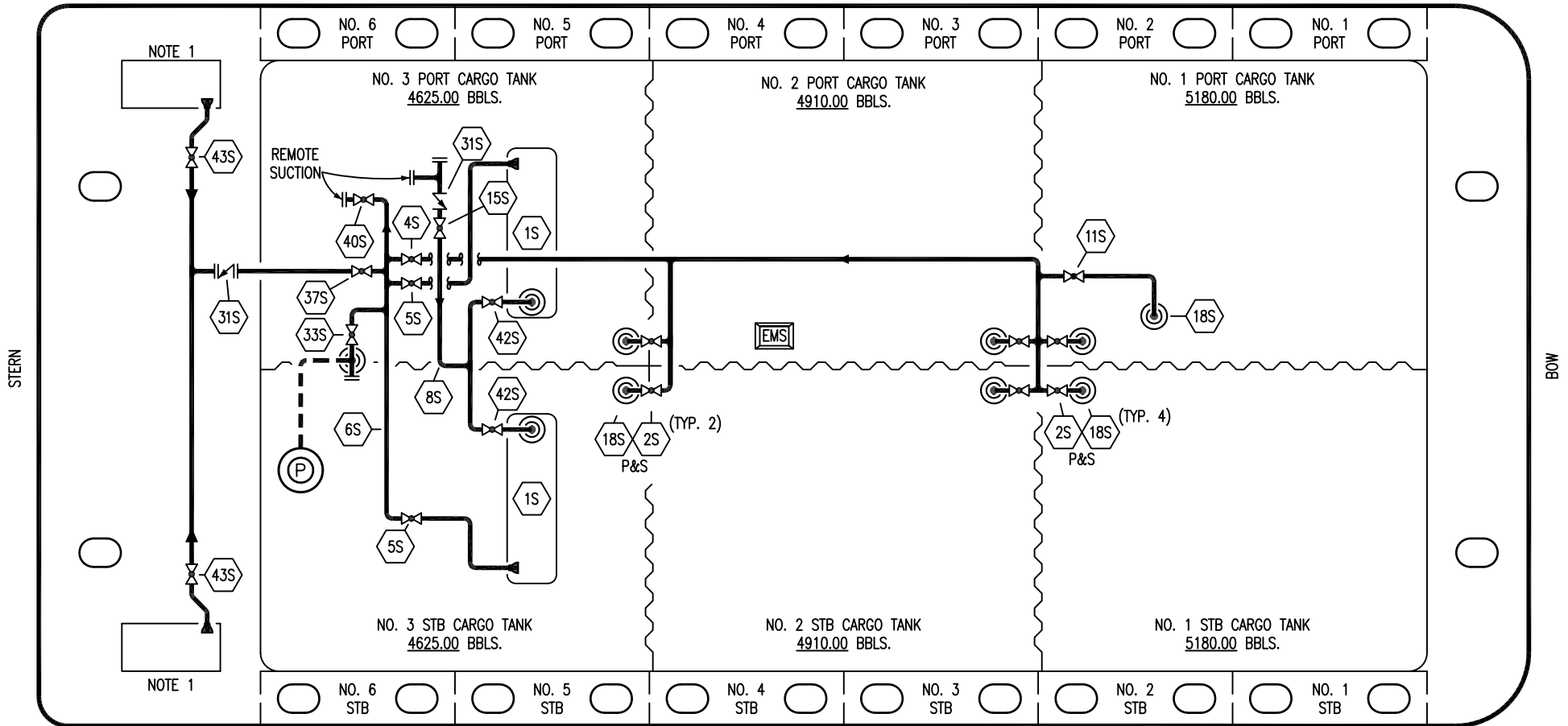
REV.	DATE	BY	CHK	APP	REVISION DESCRIPTION
1	12/18/17	WFB	DDA		REVISED PER CLIENT COMMENTS
0	04/28/17	WFB	DDA		ISSUED FOR APPROVAL

SCALE: NONE
PAGE: 2 OF 3

KIRBY 30077

REV. **1**

PORT



NOTE 1

NOTE 1

NO. 6 PORT

NO. 5 PORT

NO. 4 PORT

NO. 3 PORT

NO. 2 PORT

NO. 1 PORT

NO. 3 PORT CARGO TANK
4625.00 BBLs.

NO. 2 PORT CARGO TANK
4910.00 BBLs.

NO. 1 PORT CARGO TANK
5180.00 BBLs.

NO. 3 STB CARGO TANK
4625.00 BBLs.

NO. 2 STB CARGO TANK
4910.00 BBLs.

NO. 1 STB CARGO TANK
5180.00 BBLs.

NO. 6 STB

NO. 5 STB

NO. 4 STB

NO. 3 STB

NO. 2 STB

NO. 1 STB

STARBOARD

- | | | | |
|-----|--------------------------|-------|-------------------------|
| NO | DESCRIPTION | NO | DESCRIPTION |
| 1S | SLOP TANK | 31S | CHECK VALVE |
| 2S | CARGO SUMP SUCTION VALVE | 33S | PUMP WELL SUCTION VALVE |
| 5S | SLOP TANK SUCTION VALVE | 37S | BLOCK VALVE |
| 6S | SUCTION HEADER PIPING | 40S | HEADER SUCTION VALVE |
| 8S | DISCHARGE HEADER PIPING | 42S | SLOP TANK FILL VALVE |
| 15S | HEADER DISCHARGE VALVE | 43S | DRIP PAN SUCTION VALVE |
| 18S | STRIPPING DROP | — | — ABOVE DECK PIPING |
| | | - - - | BELOW DECK PIPING |

NOTE 1: CONTAINMENT P/S

TRINITY MARINE – EX. WTC 3007–3008

KIRBY INLAND MARINE 

**STRIPPING
PIPING FLOW DIAGRAM**

REV.	DATE	BY	CHK	APP	REVISION DESCRIPTION
1	12/18/17	WFB	DDA		REVISED PER CLIENT COMMENTS
0	04/28/17	WFB	DDA		ISSUED FOR APPROVAL

SCALE: NONE
PAGE: 3 OF 3

KIRBY 30077

REV. **1**