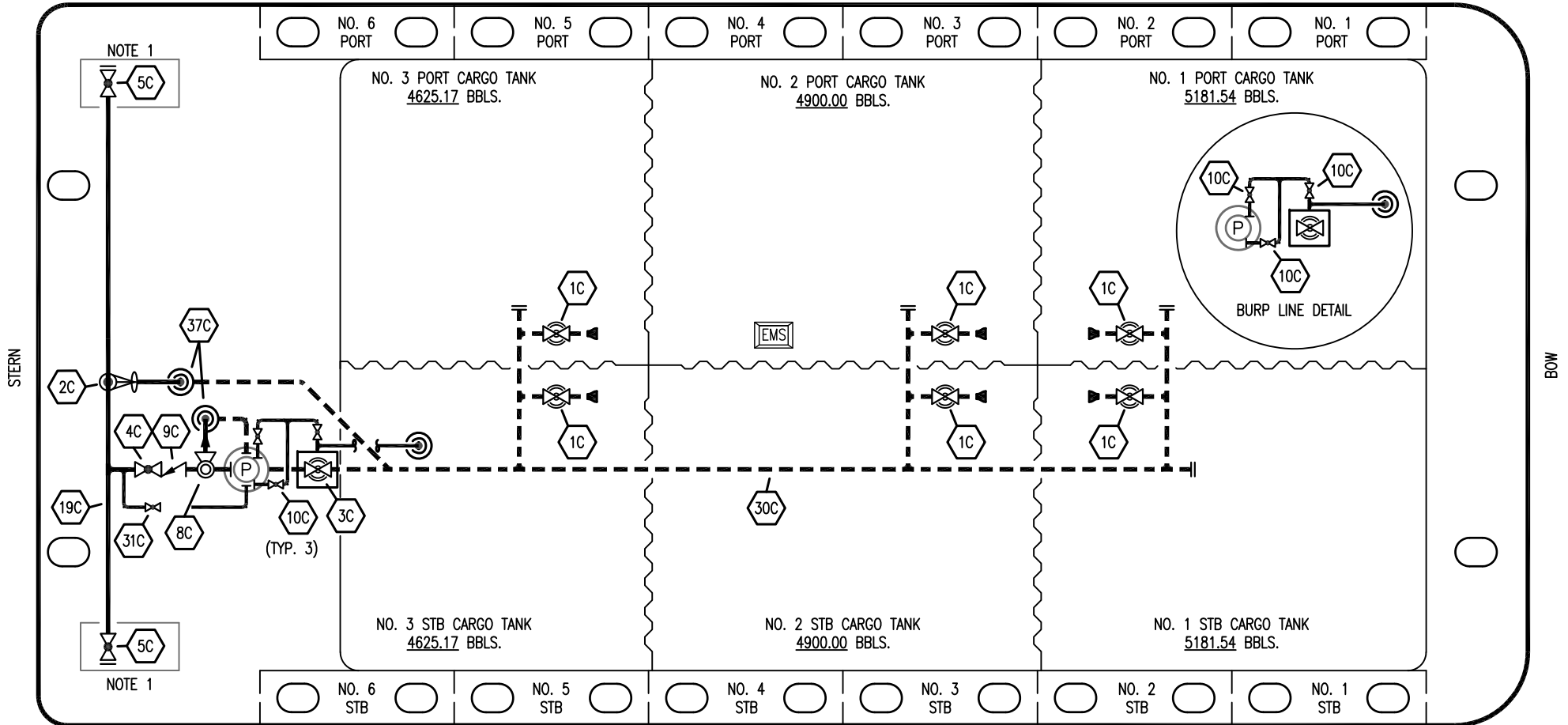


PORT



NOTE 1

NOTE 1

NO. 6  
PORT

NO. 5  
PORT

NO. 4  
PORT

NO. 3  
PORT

NO. 2  
PORT

NO. 1  
PORT

NO. 3 PORT CARGO TANK  
4625.17 BBLs.

NO. 2 PORT CARGO TANK  
4900.00 BBLs.

NO. 1 PORT CARGO TANK  
5181.54 BBLs.

NO. 3 STB CARGO TANK  
4625.17 BBLs.

NO. 2 STB CARGO TANK  
4900.00 BBLs.

NO. 1 STB CARGO TANK  
5181.54 BBLs.

NO. 6  
STB

NO. 5  
STB

NO. 4  
STB

NO. 3  
STB

NO. 2  
STB

NO. 1  
STB

STARBOARD

NO	DESCRIPTION	NO	DESCRIPTION
1C	8" CARGO TANK VALVE	19C	8" CARGO HEADER
2C	8" LOAD VALVE	30C	10" CARGO PIPELINE
3C	10" MASTER SUCTION VALVE	31C	BYPASS VALVE
4C	8" DISCHARGE VALVE	37C	CARGO DROP
5C	8" HEADER VALVE	—	— ABOVE DECK PIPING
8C	6" RELIEF VALVE	---	--- BELOW DECK PIPING
9C	8" CHECK VALVE		
10C	BURP VALVE		

NOTE 1: CONTAINMENT P/S

TRINITY MARINE -- EX. WTC 3005-3006

2	10/31/22	MRV	DDA	MW	REVISED PER CLIENT COMMENTS
1	12/13/17	WFB	DDA		REVISED PER CLIENT COMMENTS
0	04/28/17	WFB	DDA		ISSUED FOR APPROVAL
REV.	DATE	BY	CHK	APP	REVISION DESCRIPTION

**KIRBY INLAND MARINE**

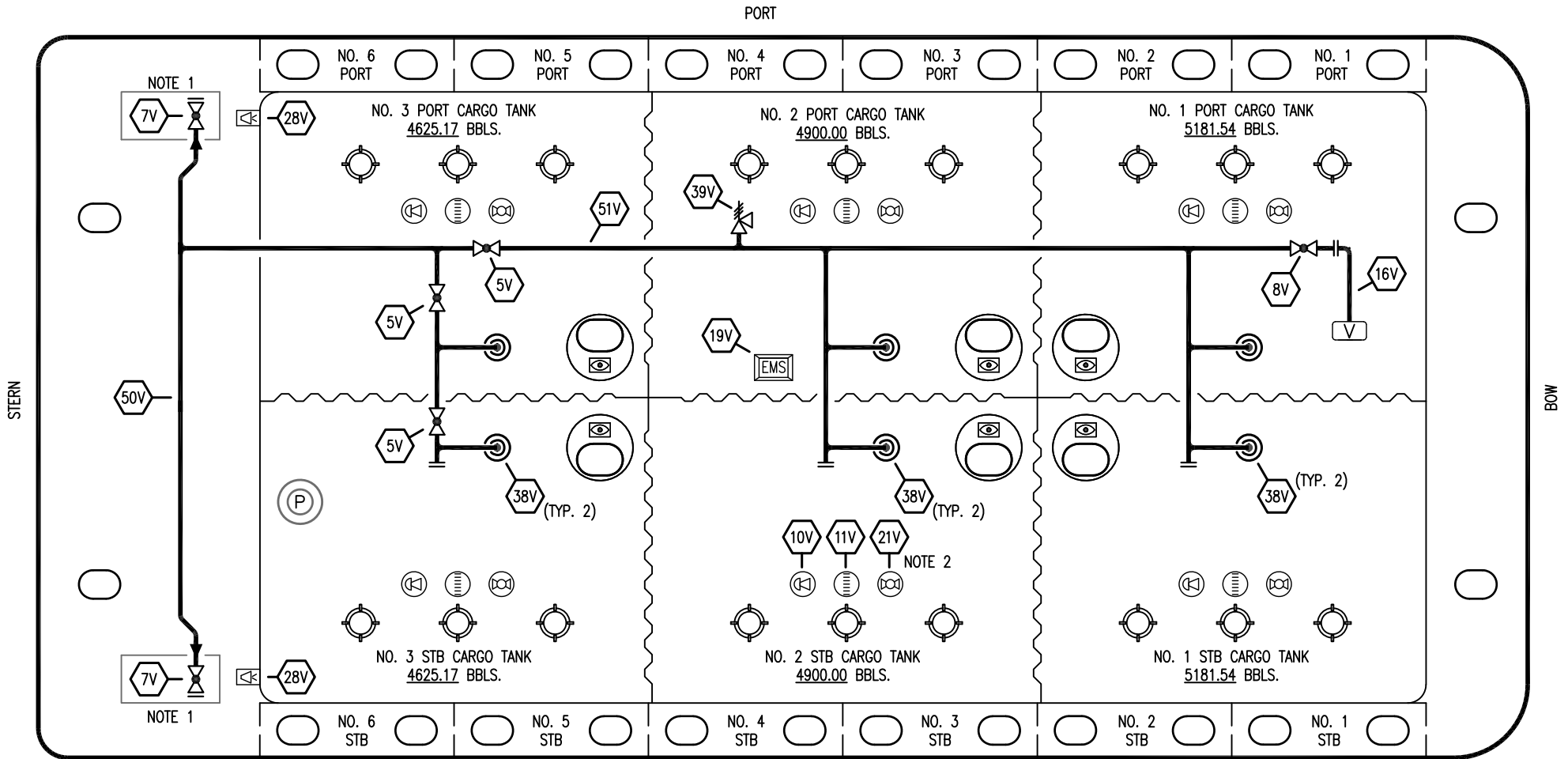
**CARGO**

**PIPING FLOW DIAGRAM**

**KIRBY 30075**

SCALE: NONE  
PAGE: 1 OF 3

REV. **2**



STERN

BOW

- |     |                           |
|-----|---------------------------|
| NO  | DESCRIPTION               |
| 5V  | BLOCK VALVE               |
| 7V  | HEADER VALVE              |
| 8V  | VENT STACK VALVE          |
| 10V | HIGH LEVEL/OVERFILL ALARM |
| 11V | GAUGE STICK               |
| 16V | VAPOR VENT STACK          |
| 19V | EMERGENCY SHUT DOWN       |
| 21V | HERMETIC GAUGE            |

- |     |                              |
|-----|------------------------------|
| NO  | DESCRIPTION                  |
| 28V | DOCK CONNECTION ALARM        |
| 38V | VAPOR DROP OR PENETRATION    |
| 39V | PRESSURE/VACUUM RELIEF VALVE |
| 50V | VAPOR HEADER                 |
| 51V | VAPOR PIPELINE               |
|     | ABOVE DECK PIPING            |
|     | BELOW DECK PIPING            |

NOTE 2: TYPICAL RIGGING IN EACH TANK

NOTE 1: CONTAINMENT P/S

TRINITY MARINE – EX. WTC 3005–3006

**KIRBY INLAND MARINE**

**VAPOR  
PIPING FLOW DIAGRAM**

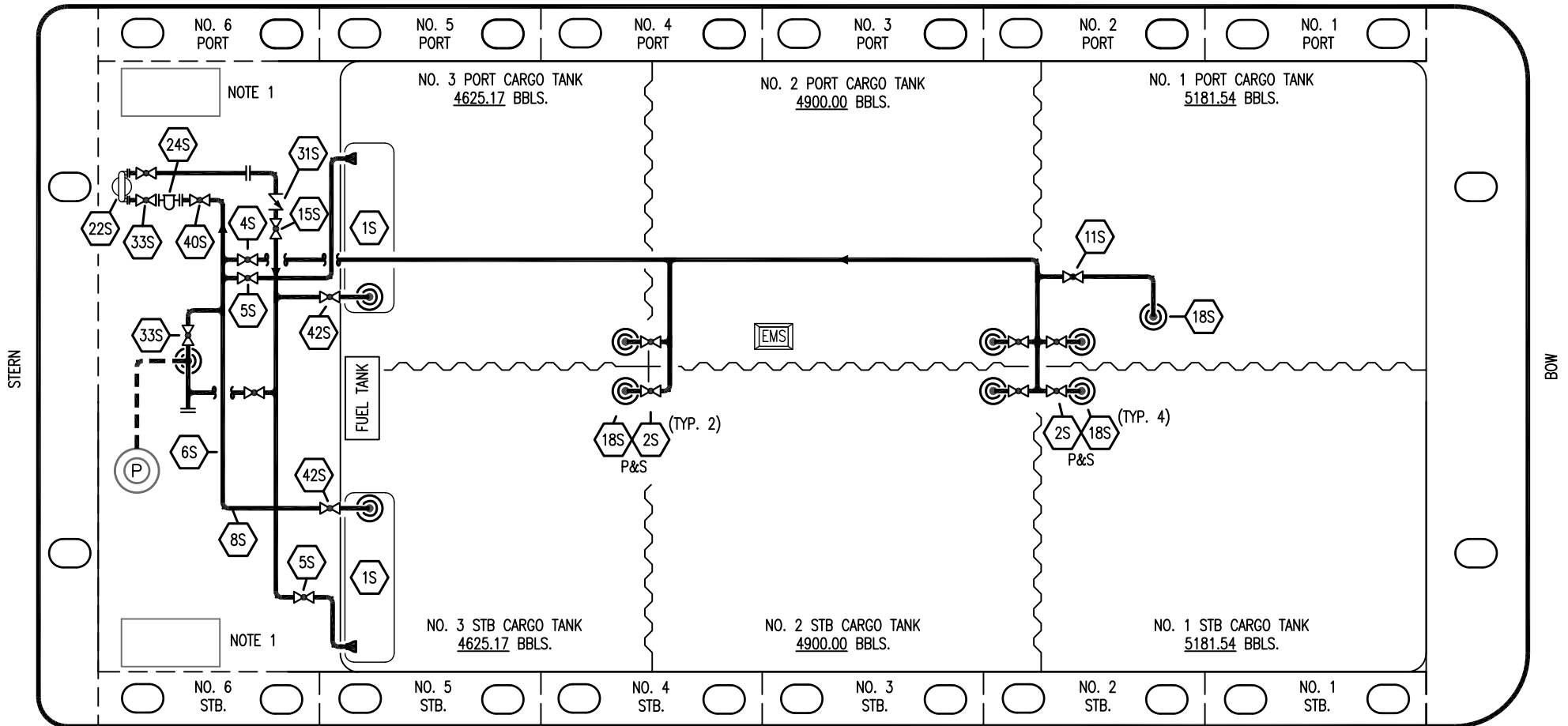
REV.	DATE	BY	CHK	APP	REVISION DESCRIPTION
1	10/31/22	MRV	DDA	MW	REVISED PER CLIENT COMMENTS
0	04/28/17	WFB	DDA		ISSUED FOR APPROVAL

SCALE: NONE  
PAGE: 2 OF 3

**KIRBY 30075**

REV. **1**

PORT



STERN

BOW

STARBOARD

- |     |                          |     |                         |
|-----|--------------------------|-----|-------------------------|
| NO  | DESCRIPTION              | NO  | DESCRIPTION             |
| 1S  | SLOP TANK                | 31S | CHECK VALVE             |
| 2S  | CARGO SUMP SUCTION VALVE | 33S | PUMP WELL SUCTION VALVE |
| 5S  | SLOP TANK SUCTION VALVE  | 37S | BLOCK VALVE             |
| 6S  | SUCTION HEADER PIPING    | 40S | HEADER SUCTION VALVE    |
| 8S  | DISCHARGE HEADER PIPING  | 42S | SLOP TANK FILL VALVE    |
| 15S | HEADER DISCHARGE VALVE   | --- | ABOVE DECK PIPING       |
| 18S | STRIPPING DROP           | --- | BELOW DECK PIPING       |
| 22S | STRIPPING PUMP           |     |                         |
| 24S | BASKET STRAINER          |     |                         |

NOTE 1: CONTAINMENT P/S

TRINITY MARINE -- EX. WTC 3005--3006

REV.	DATE	BY	CHK	APP	REVISION DESCRIPTION
1	10/31/22	MRV	DDA	MW	REVISED PER CLIENT COMMENTS
0	04/28/17	WFB	DDA		ISSUED FOR APPROVAL

**KIRBY INLAND MARINE** 

**STRIPPING  
PIPING FLOW DIAGRAM**

SCALE: NONE  
PAGE: 3 OF 3

**KIRBY 30075** REV. **1**