

NO DESCRIPTION

- 2C LOAD VALVE
- 4C DISCHARGE VALVE
- 5C HEADER VALVE
- 6C SALVAGE VALVE
- 8C RELIEF VALVE
- 9C CHECK VALVE
- 11C BURP LINE

NO DESCRIPTION

- 13C CARGO PIPING BLOCK VALVE
- 19C CARGO HEADER
- 20C DUMMY HEADER PIPING
- 21C DUMMY HEADER VALVE
- 37C CARGO DROP

- ABOVE DECK PIPING
- - - BELOW DECK PIPING

NOTE 1: CONT. ON BELOW DECK CARGO DWG.
 NOTE 2: CONTAINMENT PORT & STB.

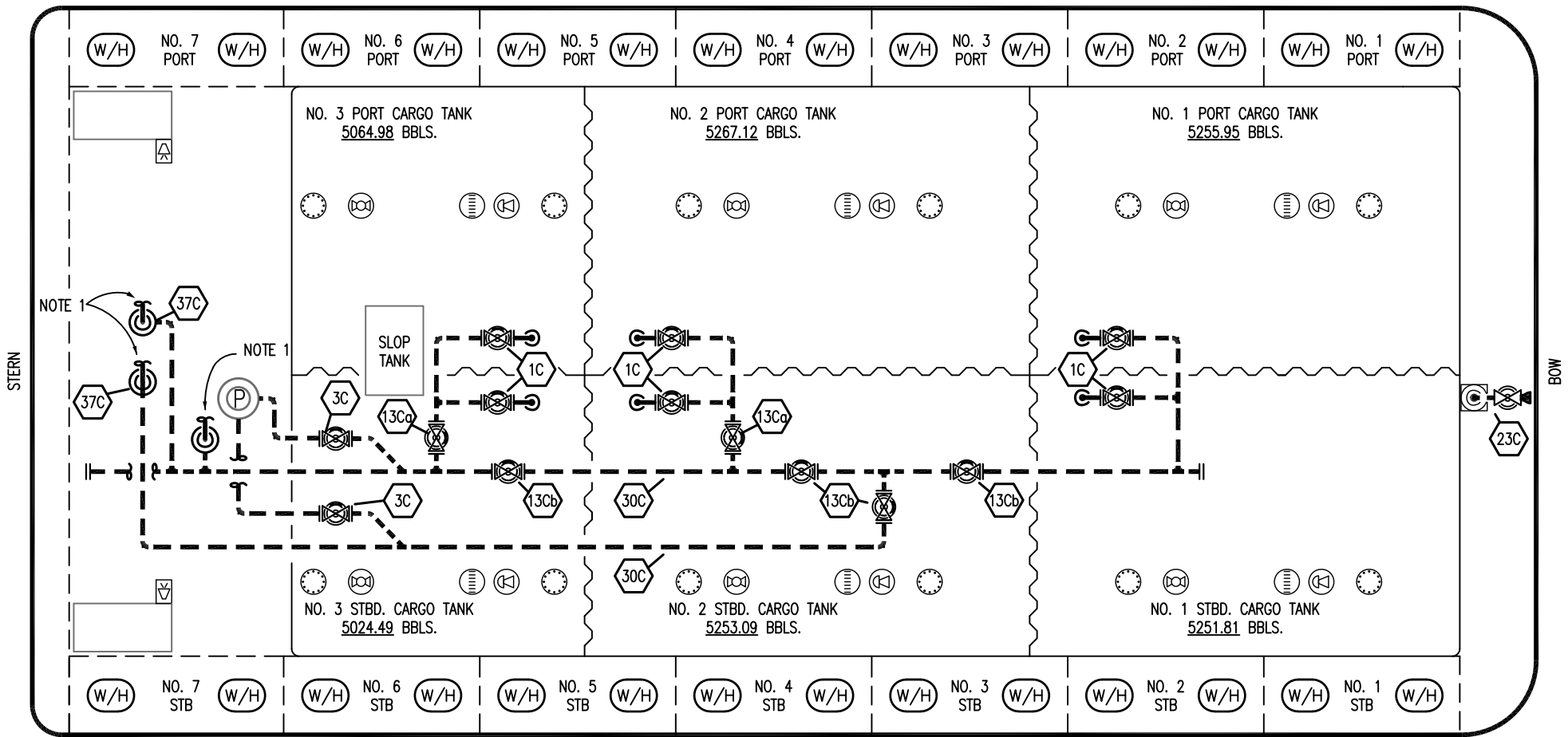
WEST GULF MARINE

KIRBY INLAND MARINE

**ABOVE DECK CARGO
 PIPING FLOW DIAGRAM**

REV.	DATE	BY	CHK	APP	REVISION DESCRIPTION
1	04/09/24	AC	DDA	LEP	REVISED PER CLIENT COMMENTS
0	02/09/09	WK	RB	OF	APPROVED

SCALE: NONE	KIRBY 30024B	REV. 1
PAGE: 1 OF 4		



- | NO | DESCRIPTION |
|------|--------------------------|
| 1C | CARGO TANK VALVE |
| 3C | MASTER SUCTION VALVE |
| 13Ca | CARGO PIPING BLOCK VALVE |
| 13Cb | CARGO PIPING BLOCK VALVE |
| 14V | SIGHT GLASS |
| 23C | SEA CHEST BLOCK VALVE |
| 30C | CARGO PIPELINE |
| 37C | CARGO DROP |

——— ABOVE DECK PIPING
 - - - - - BELOW DECK PIPING

NOTE 1: CONT. ON ABOVE DECK CARGO

WEST GULF MARINE

REV.	DATE	BY	CHK	APP	REVISION DESCRIPTION
2	04/09/24	AC	DDA	LEP	REVISED PER CLIENT COMMENTS
1	01/27/15	DDA	DDA	OF	ADDED SEA CHEST VALVE
0	02/09/09	WK	RB	OF	APPROVED

KIRBY INLAND MARINE

BELOW DECK CARGO
PIPING FLOW DIAGRAM

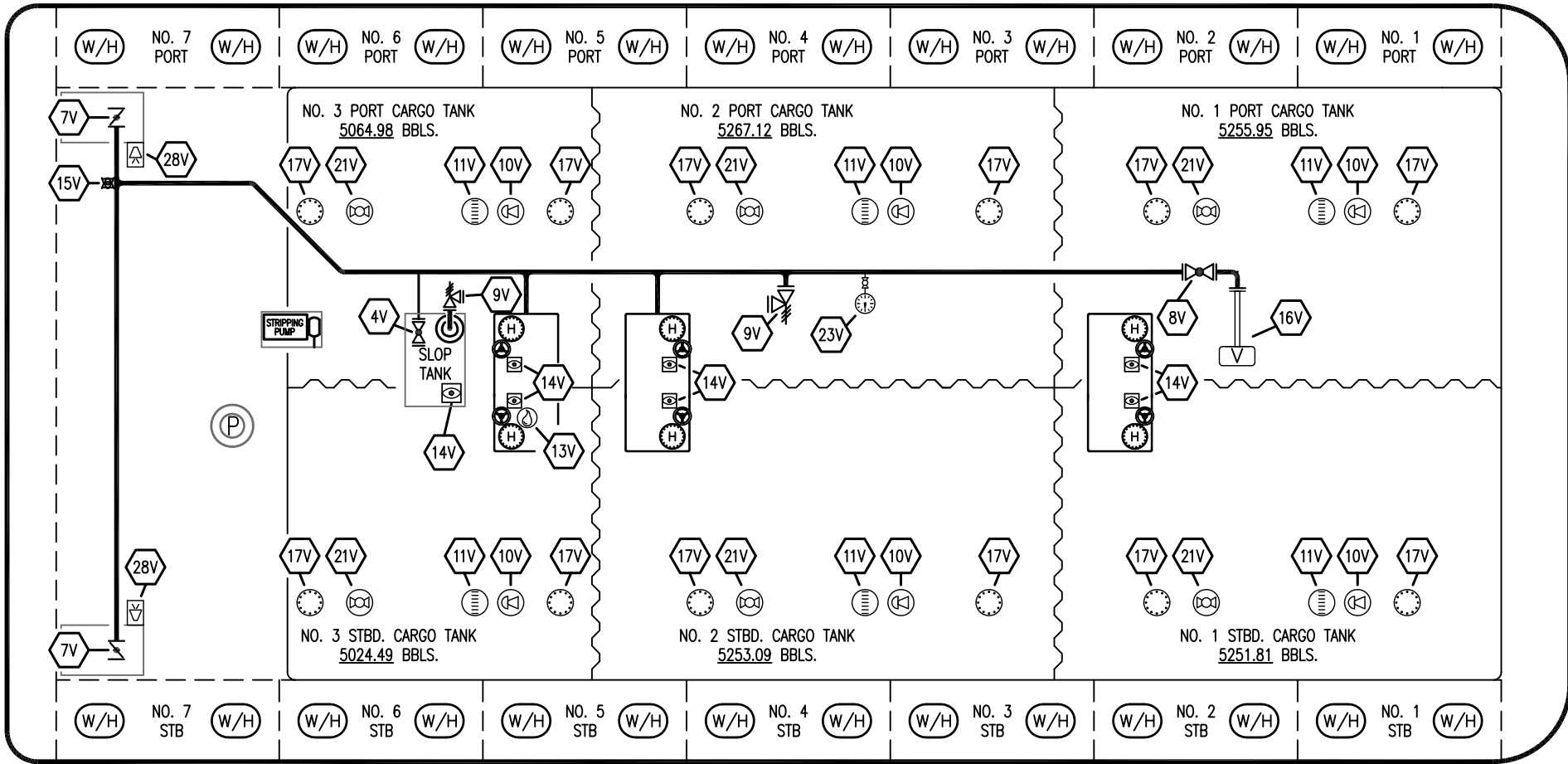
KIRBY 30024B

REV. 2

SCALE: NONE
PAGE: 2 OF 4

STERN

BOW



- NO. 4V SLOP TANK SPEC VENT VALVE
- NO. 7V HEADER VALVE
- NO. 8V VENT STACK VALVE
- NO. 9V PRESS/VAC VALVE
- NO. 10V HIGH LEVEL/OVERFILL ALARM
- NO. 11V GAUGE STICK
- NO. 13V HERMETIC SAMPLE ONLY
- NO. 14V SIGHT GLASS
- NO. 15V INSPECTION PORT
- NO. 16V VAPOR VENT STACK

- NO. 17V BUTTERWORTH
- NO. 21V HERMETIC GAUGE
- NO. 23V PRESSURE GAUGE
- NO. 28V HIGH LEVEL/OVERFILL ALARM DOCK CONNECTION
- ABOVE DECK PIPING
- - - BELOW DECK PIPING

WEST GULF MARINE

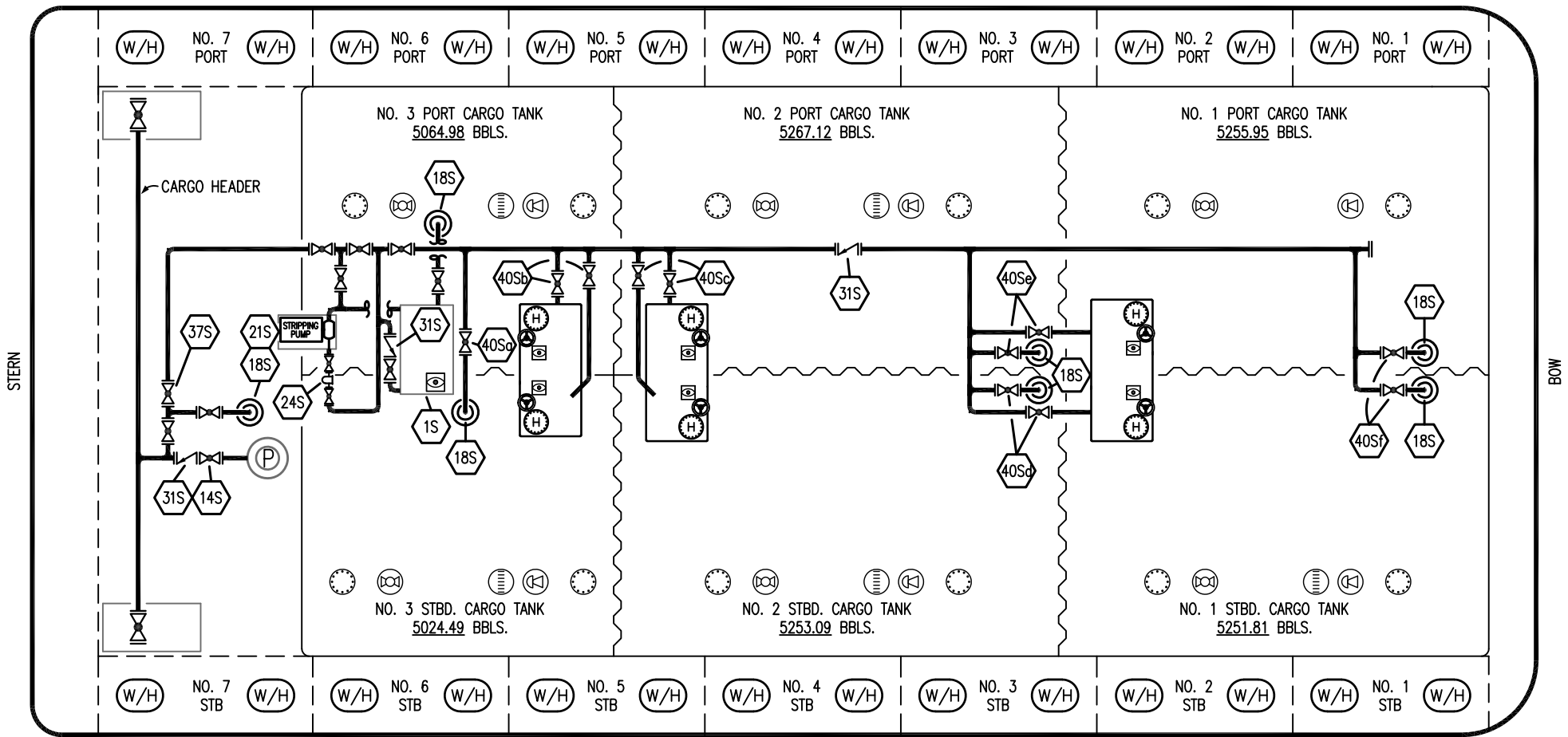
KIRBY INLAND MARINE

VAPOR PIPING FLOW DIAGRAM

REV.	DATE	BY	CHK	APP	REVISION DESCRIPTION
2	04/09/24	AC	DDA	LEP	REVISED PER CLIENT COMMENTS
1	12/12/13	DCB	DDA		REVISED INST.
0	02/09/09	WK	RB	OF	APPROVED

SCALE: NONE
PAGE: 3 OF 4

KIRBY 30024B REV. **2**



NO DESCRIPTION

- 1S SLOP TANK, 3000 GALLONS
- 5S SLOP TANK SUCTION VALVE
- 6S SLOP TANK FILL PIPING
- 11S RETURN TO CARGO TANK PIPING
- 12S RETURN TO CARGO TANK VALVE
- 14S DISCHARGE VALVE
- 15S DISCHARGE HEADER VALVE
- 16Sa REMOTE SUCTION CONNECTION
- 16Sb REMOTE SUCTION CONNECTION
- 21S PRIMING POT W/ SIGHT GLASS

NO DESCRIPTION

- 22S STRIPPING PUMP
- 24S BASKET STRAINER
- 26S STRIPPING HEADER BLOCK VALVE
- 31S CHECK VALVE
- 32S PUMP WELL PRIMER VALVE
- 33S PUMP WELL SUCTION
- 35S STRIPPING VALVE
- 37S BLOCK VALVE
- 40Sa CARGO TANK SUCTION, MAIN
- 40Sb CARGO TANK SUCTION, NO. 3 P/S

NO DESCRIPTION

- 40Sc CARGO TANK SUCTION, NO. 2 P/S
- 40Sd CARGO TANK SUCTION, NO. 2 P/S . L.P.
- 40Se CARGO TANK SUCTION, NO. 1 P/S
- 40Sf CARGO TANK SUCTION, NO. 1 P/S . L.P.

NOTE 1: CONT. TO ABOVE DECK CARGO HEADER
 NOTE 2: CONT. TO BELOW DECK CARGO

ABOVE DECK PIPING ———
 BELOW DECK PIPING - - -

WEST GULF MARINE

REV.	DATE	BY	CHK	APP	REVISION DESCRIPTION
1	04/09/24	AC	DDA	LEP	REVISED PER CLIENT COMMENTS
0	02/09/09	WK	RB	OF	APPROVED

KIRBY INLAND MARINE

STRIPPING
PIPING FLOW DIAGRAM

KIRBY 30024B

REV. 1

SCALE: NONE
PAGE: 4 OF 4