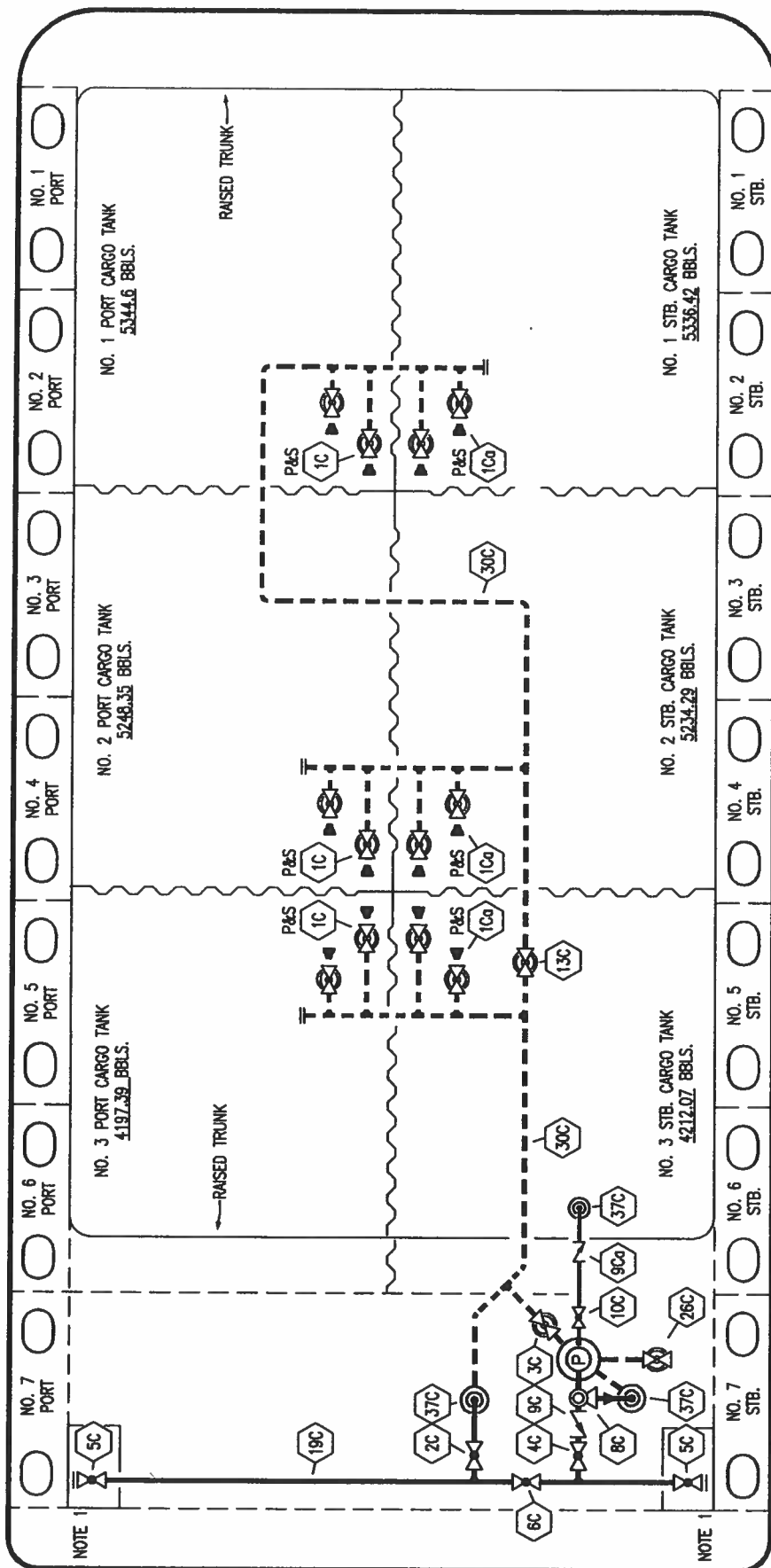


MOB

PORT



STERN

STARBOARD

JEFFBOAT - EX: N/A

NOTE 1: CONTAINMENT P/S

NO	DESCRIPTION	NO	DESCRIPTION
1C	8" CARGO TANK LOW SUCTION	9Cg	1 1/4" CHECK VALVE
1Co	8" CARGO TANK HIGH SUCTION	10C	1 1/4" BURP VALVE
2C	10" LOAD VALVE	13C	12" CARGO PIPING BLOCK VALVE
3C	12" MASTER SUCTION VALVE	19C	12" CARGO HEADER
4C	10" DISCHARGE VALVE	26C	DEEP WELL DRAIN VALVE
5C	8" HEADER VALVE	30C	12" CARGO PIPELINE
6C	12" SALVAGE VALVE	37C	CARGO DROP
8C	6" RELIEF VALVE	---	ABOVE DECK PIPING
9C	10" CHECK VALVE	---	BELOW DECK PIPING



KIRBY INLAND MARINE

CARGO

PIPING FLOW DIAGRAM

REV.	DATE	BY	CHK	APP	REVISION DESCRIPTION
1	11/15/12	DCB	DDA		ADDED 26C
0	11/09/09	RB	OF		APPROVED

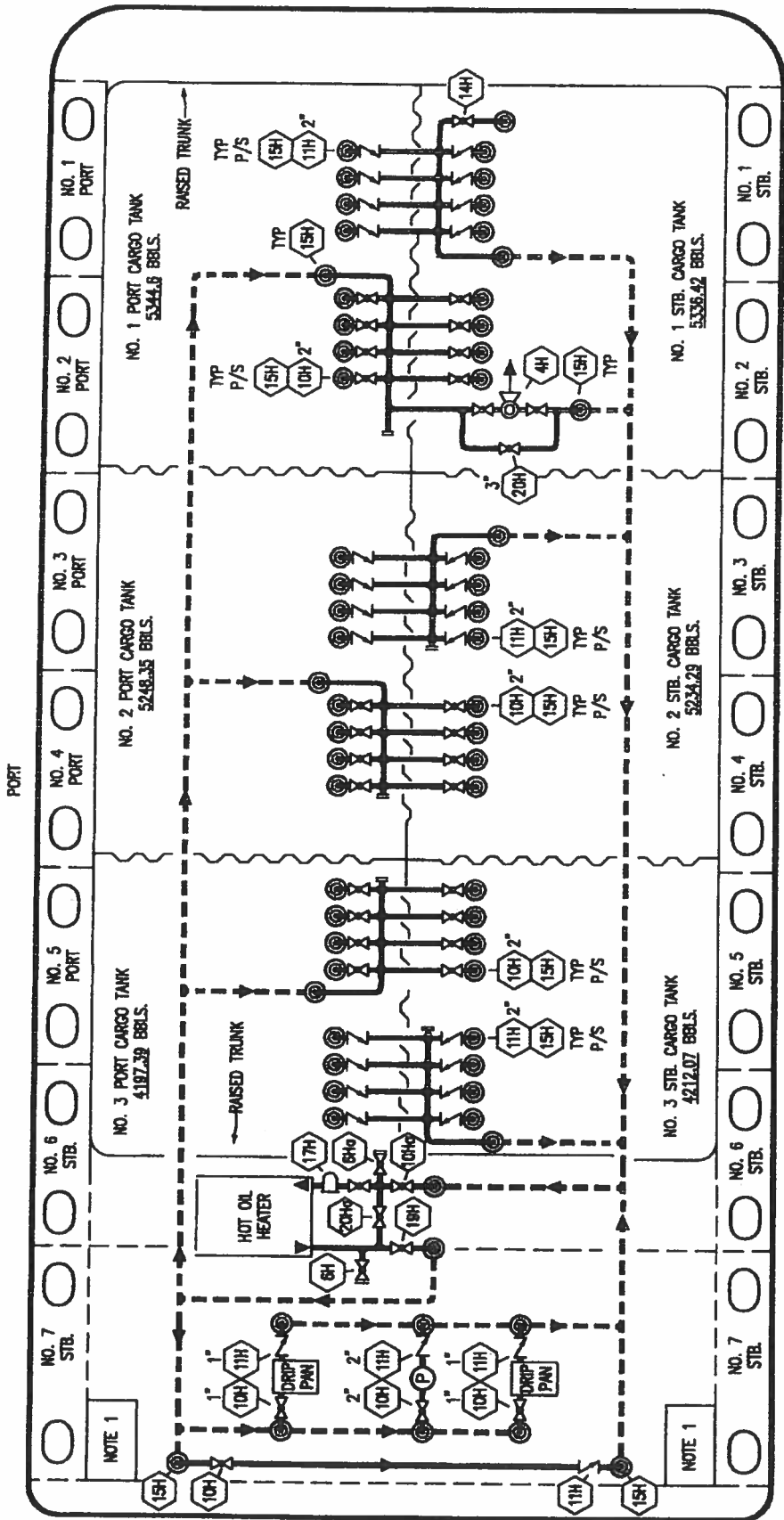
SCALE: NONE

PAGE: 1 OF 2

REV. 1

KIRBY 29701B

MOB



STEM

JEFFBOAT - EX: N/A



KIRBY INLAND MARINE

HOT OIL

PIPING FLOW DIAGRAM

NOTE 1: CONTAMINANT P/S

NO	DESCRIPTION	NO	DESCRIPTION
4H	RELIEF VALVE	15H	HOT OIL DROP
6H	6" RETURN HEADER VALVE	17H	6" BASKET STRAINER
6Hc	6" SUPPLY HEADER VALVE	19H	6" RETURN VALVE
10H	SUPPLY VALVE	20H	3" BYPASS VALVE
10Hc	6" SUPPLY VALVE	20H	6" BYPASS VALVE
11H	RETURN (CHK. VALVE)	---	ABOVE DECK PIPING
11Hc	CHECK VALVE	---	BELOW DECK PIPING
14H	VALVE		

REV.	DATE	BY	CHK	APP	REVISION DESCRIPTION	SCALE	PAGE
0	11/09/09	RB	OF	APPROVED		NONE	2 OF 2

KIRBY 29701B

REV. 0