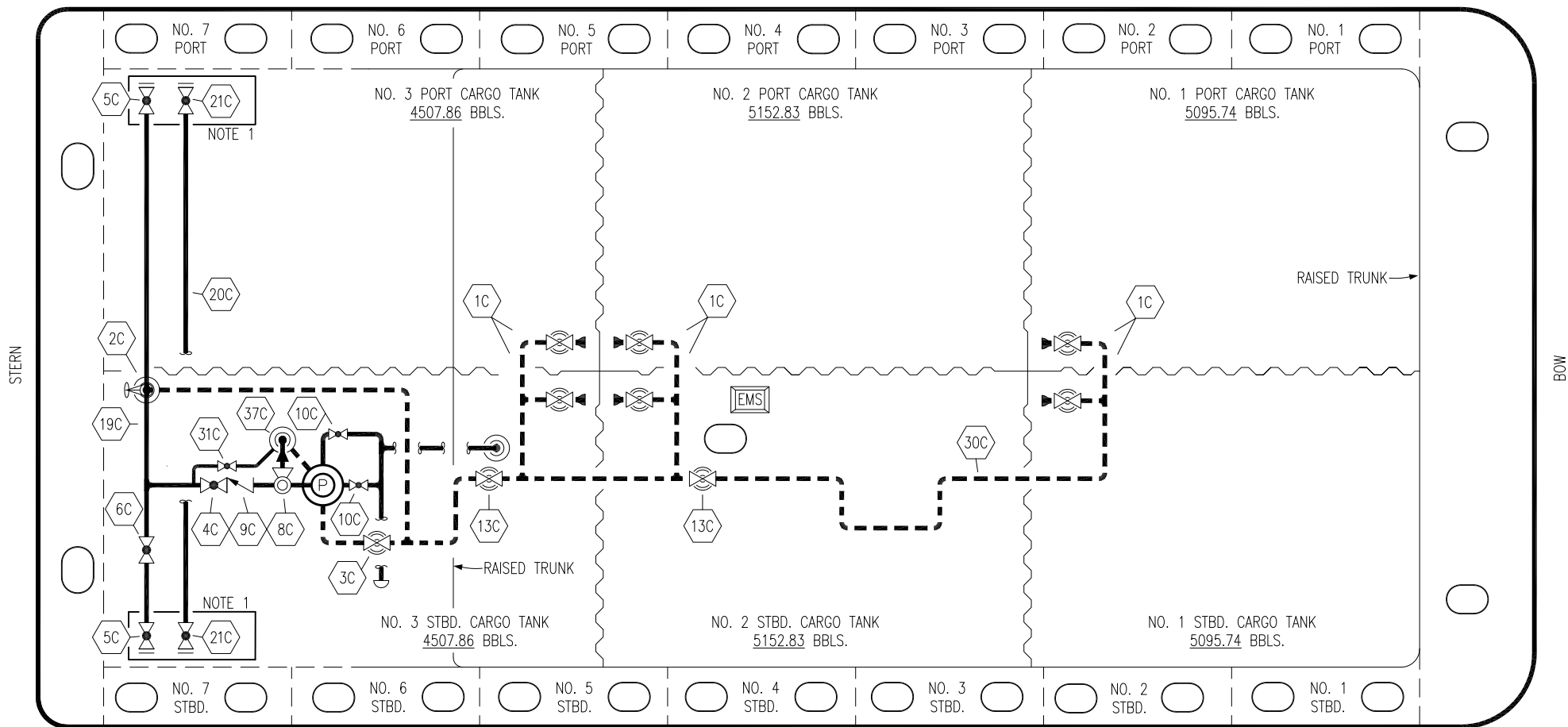



PORT



STARBOARD


- |     |                          |       |  |
|-----|--------------------------|-------|--|
| NO  | DESCRIPTION              | NO    | DESCRIPTION  |
| 1C  | CARGO TANK VALVE         | 20C   | DUMMY PIPELINE   |
| 2C  | LOAD VALVE               | 21C   | DUMMT HEADER VALVE   |
| 3C  | MASTER SUCTION VALVE     | 30C   | CARGO PIPELINE   |
| 4C  | DISCHARGE VALVE          | 31C   | BYPASS VALVE   |
| 5C  | HEADER VALVE             | 37C   | CARGO DROP  |
| 6C  | SALVAGE VALVE            | —     | — ABOVE DECK PIPING  |
| 8C  | RELIEF VALVE             | - - - | - - - BELOW DECK PIPING  |
| 9C  | CHECK VALVE              |       |  |
| 10C | BURP VALVE               |       |  |
| 13C | CARGO PIPING BLOCK VALVE |       |  |
| 19C | CARGO HEADER             |       |  |

NOTE 1: CONTAINMENT P/S

EX: SMS 30022

0	08/02/21	MRV	DDA	TL	ISSUED FOR APPROVAL	SCALE: NONE
REV.	DATE	BY	CHK	APP	REVISION DESCRIPTION	PAGE: 1 OF 3

EX: SMS 30022

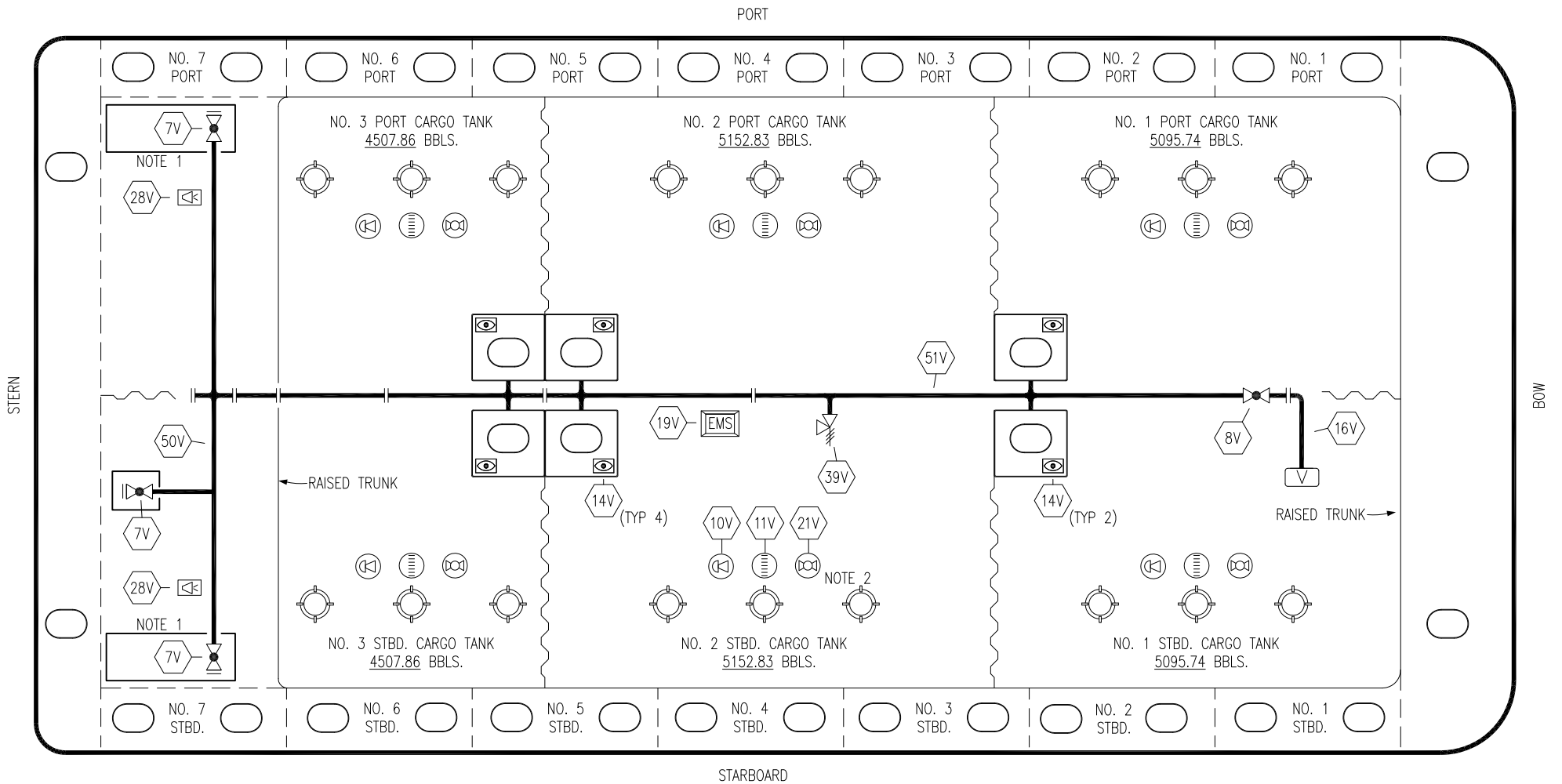
**KIRBY INLAND MARINE** 

**CARGO**

**PIPING FLOW DIAGRAM**

**KIRBY 29159**

REV. **0**



- |     |                            |     |                              |
|-----|----------------------------|-----|------------------------------|
| NO  | DESCRIPTION                | NO  | DESCRIPTION                  |
| 7V  | HEADER VALVE               | 21V | HERMETIC GAUGE               |
| 8V  | VENT STACK VALVE           | 28V | DOCK CONNECTION ALARM        |
| 10V | HIGH LEVEL/OVERFILL ALARM  | 39V | PRESSURE/VACUUM RELIEF VALVE |
| 11V | 1-METER GAUGE STICK        | 50V | VAPOR HEADER                 |
| 14V | SIGHT GLASS                | 51V | VAPOR PIPELINE               |
| 16V | VAPOR VENT STACK           | —   | ABOVE DECK PIPING            |
| 19V | EMERGENCY ENGINE SHUT DOWN |     |                              |

- |     |                              |
|-----|------------------------------|
| NO  | DESCRIPTION                  |
| 21V | HERMETIC GAUGE               |
| 28V | DOCK CONNECTION ALARM        |
| 39V | PRESSURE/VACUUM RELIEF VALVE |
| 50V | VAPOR HEADER                 |
| 51V | VAPOR PIPELINE               |
| —   | ABOVE DECK PIPING            |

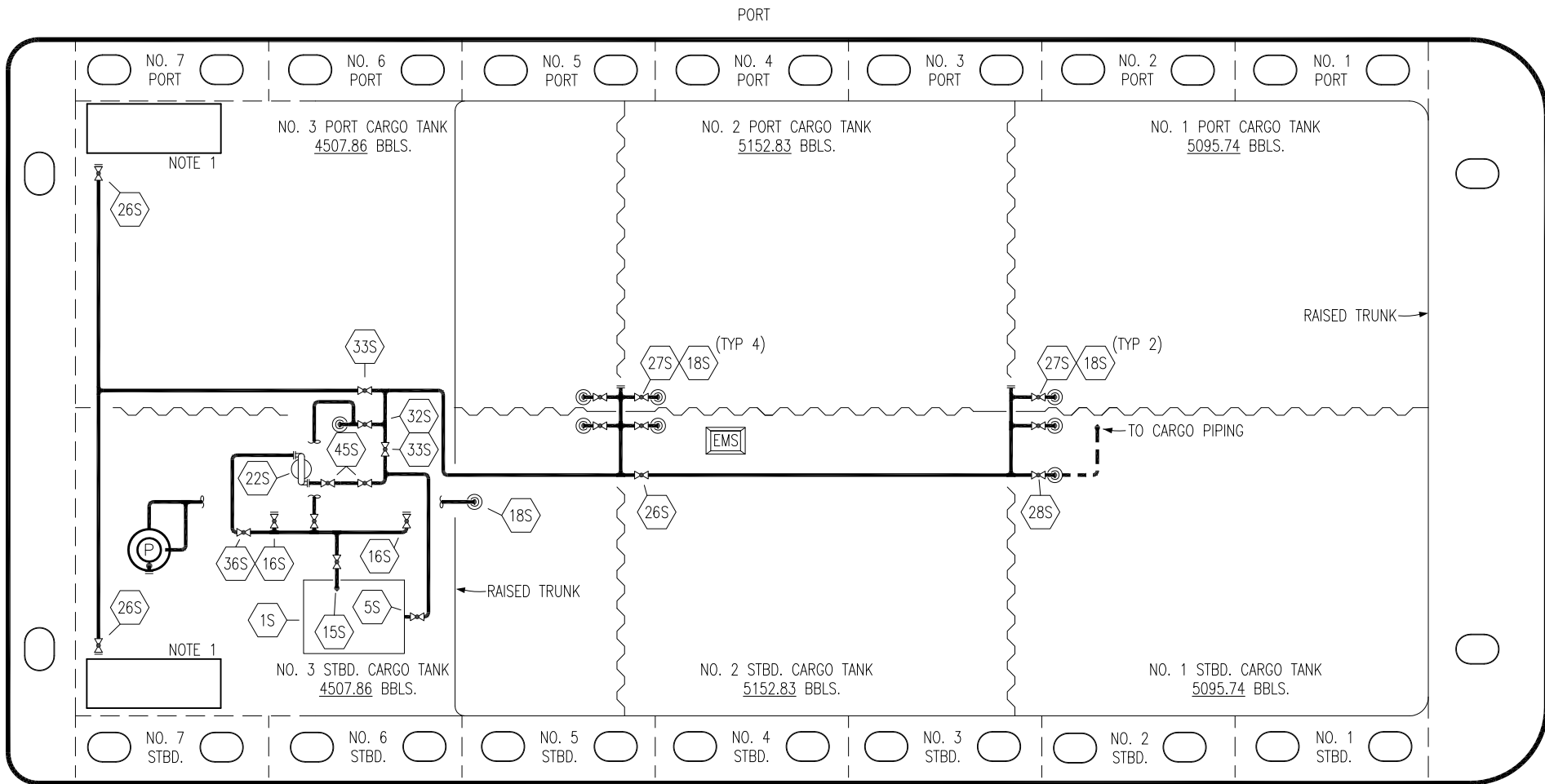
NOTE 2: TYPICAL RIGGING IN EACH TANK

NOTE 1: CONTAINMENT P/S

EX: SMS 30022

0	08/02/21	MRV	DDA	TL	ISSUED FOR APPROVAL
REV.	DATE	BY	CHK	APP	REVISION DESCRIPTION

<b>KIRBY INLAND MARINE</b>	
<b>VAPOR PIPING FLOW DIAGRAM</b>	
SCALE: NONE	<b>KIRBY 29159</b>
PAGE: 2 OF 3	
REV. 0	



<b>NO</b>	<b>DESCRIPTION</b>	<b>NO</b>	<b>DESCRIPTION</b>
1S	SLOP TANK	27S	SUMP SUCTION VALVE
5S	SLOP TANK SUCTION VALVE	28S	CARGO PIPING SUCTION
10S	STRIPPING PUMP CHECK VALVE	31S	CHECK VALVE
11S	LOWER CARGO PIPELINE SUCTION VALVE	32S	PUMP WELL PRIMER VALVE
15S	DISCHARGE VALVE	33S	PUMP WELL SUCTION
16S	REMOTE SUCTION CONNECTION	36S	STRIPPING PUMP DISCHARGE
18S	TYP. STRIPPING PENETRATION	45S	STRIPPING PUMP SUCTION VALVE
22S	STRIPPING PUMP	—	— ABOVE DECK PIPING
26S	HEADER BLOCK VALVE	- - -	BELOW DECK PIPING

NOTE 1: CONTAINMENT P/S

EX: SMS 30022

0	08/02/21	MRV	DDA	TL	ISSUED FOR APPROVAL
REV.	DATE	BY	CHK	APP	REVISION DESCRIPTION

KIRBY INLAND MARINE

**STRIPPING  
PIPING FLOW DIAGRAM**

SCALE: NONE	<b>KIRBY 29159</b>	REV. 0
PAGE: 3 OF 3		