

- |     |                          |       |                         |
|-----|--------------------------|-------|-------------------------|
| NO  | DESCRIPTION              | NO    | DESCRIPTION             |
| 1C  | CARGO TANK VALVE         | 30C   | CARGO PIPELINE          |
| 2C  | LOAD VALVE               | 37C   | CARGO DROP              |
| 3C  | MASTER SUCTION VALVE     | —     | — ABOVE DECK PIPING     |
| 4C  | DISCHARGE VALVE          | - - - | - - - BELOW DECK PIPING |
| 5C  | HEADER VALVE             |       |                         |
| 8C  | RELIEF VALVE             |       |                         |
| 9C  | CHECK VALVE              |       |                         |
| 13C | CARGO PIPING BLOCK VALVE |       |                         |
| 19C | CARGO HEADER             |       |                         |

NOTE 1: CONTAINMENT P/S

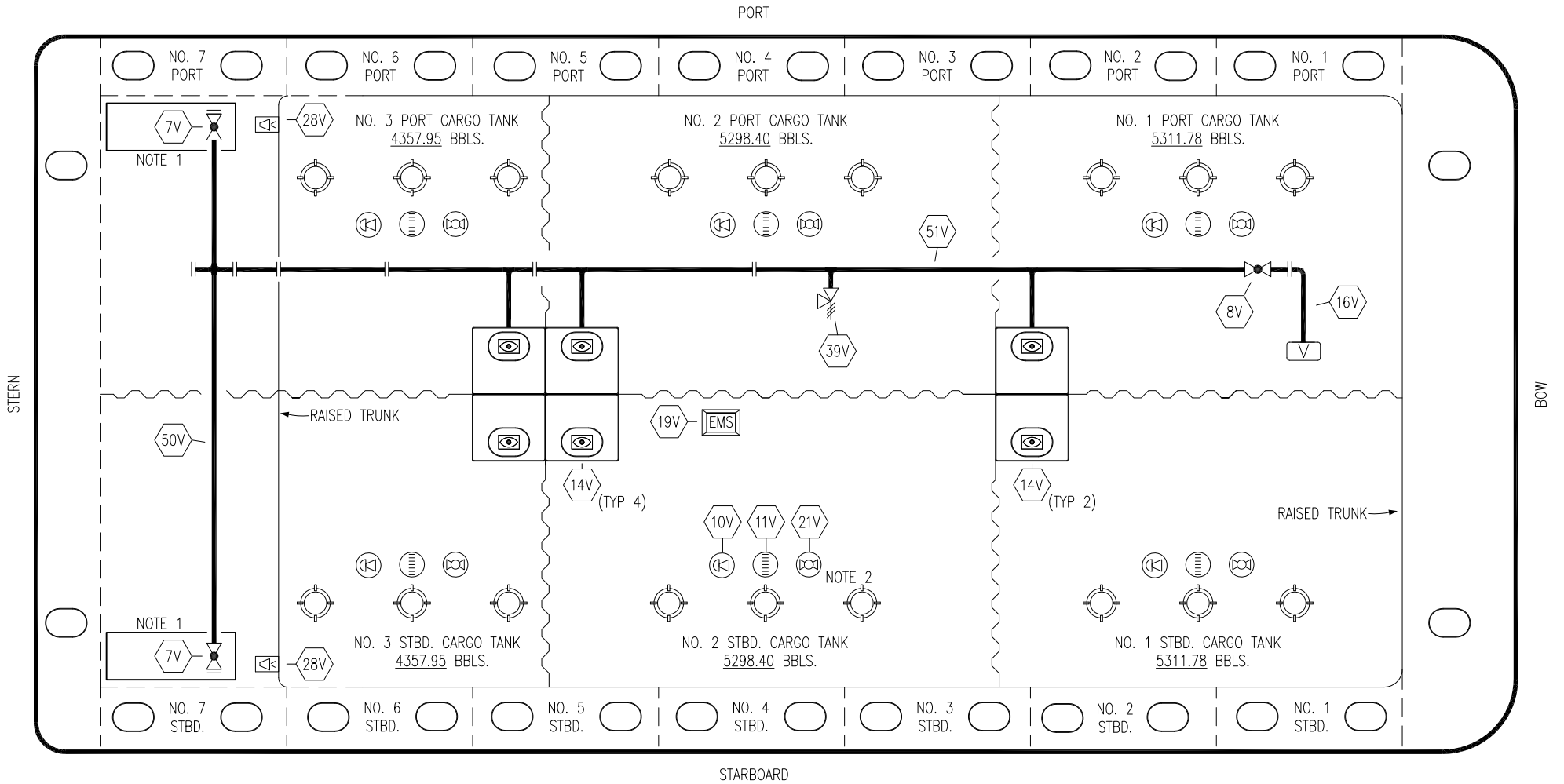
EX: SMS 30018

0	10/16/20	MRV	DDA	DR	ISSUED FOR APPROVAL	
REV.	DATE	BY	CHK	APP	REVISION DESCRIPTION	

KIRBY INLAND MARINE

CARGO  
PIPING FLOW DIAGRAM

SCALE: NONE	KIRBY 29142	REV. 0
PAGE: 1 OF 3		



- |     |                            |
|-----|----------------------------|
| NO  | DESCRIPTION                |
| 7V  | HEADER VALVE               |
| 8V  | VENT STACK VALVE           |
| 10V | HIGH LEVEL/OVERFILL ALARM  |
| 11V | 1-METER GAUGE STICK        |
| 14V | SIGHT GLASS                |
| 16V | VAPOR VENT STACK           |
| 19V | EMERGENCY ENGINE SHUT DOWN |

- |     |                              |
|-----|------------------------------|
| NO  | DESCRIPTION                  |
| 21V | HERMETIC GAUGE               |
| 28V | DOCK CONNECTION ALARM        |
| 39V | PRESSURE/VACUUM RELIEF VALVE |
| 50V | VAPOR HEADER                 |
| 51V | VAPOR PIPELINE               |
|     | ABOVE DECK PIPING            |

NOTE 2: TYPICAL RIGGING IN EACH TANK

NOTE 1: CONTAINMENT P/S

EX: SMS 30018

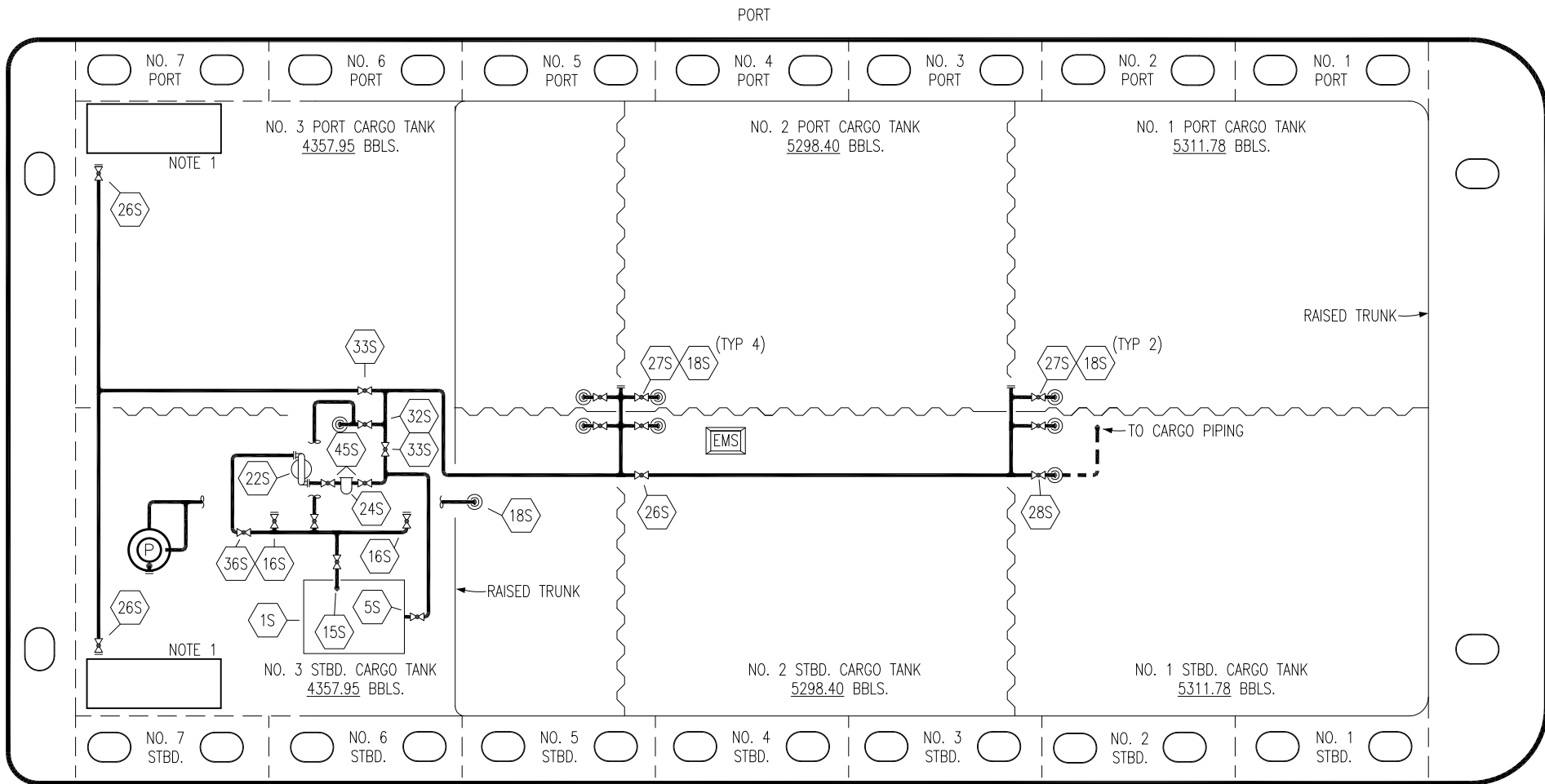
0	10/16/20	MRV	DDA	DR	ISSUED FOR APPROVAL		SCALE: NONE
REV.	DATE	BY	CHK	APP	REVISION	DESCRIPTION	PAGE: 2 OF 3

KIRBY INLAND MARINE

**VAPOR  
PIPING FLOW DIAGRAM**

**KIRBY 29142**

REV. **0**



NO	DESCRIPTION	NO	DESCRIPTION
1S	SLOP TANK	27S	SUMP SUCTION VALVE
5S	SLOP TANK SUCTION VALVE	28S	CARGO PIPING SUCTION
10S	STRIPPING PUMP CHECK VALVE	31S	CHECK VALVE
11S	LOWER CARGO PIPELINE SUCTION VALVE	32S	PUMP WELL PRIMER VALVE
15S	DISCHARGE VALVE	33S	PUMP WELL SUCTION
16S	REMOTE SUCTION CONNECTION	36S	STRIPPING PUMP DISCHARGE
18S	TYP. STRIPPING PENETRATION	45S	STRIPPING PUMP SUCTION VALVE
22S	STRIPPING PUMP	—	— ABOVE DECK PIPING
24S	BASKET STRAINER	- - -	- - - BELOW DECK PIPING
26S	HEADER BLOCK VALVE		

NOTE 1: CONTAINMENT P/S

EX: SMS 30018

REV.	DATE	BY	CHK	APP	REVISION DESCRIPTION
0	10/16/20	MRV	DDA	DR	ISSUED FOR APPROVAL

KIRBY INLAND MARINE

**STRIPPING  
PIPING FLOW DIAGRAM**

SCALE: NONE	<b>KIRBY 29142</b>	REV. 0
PAGE: 3 OF 3		