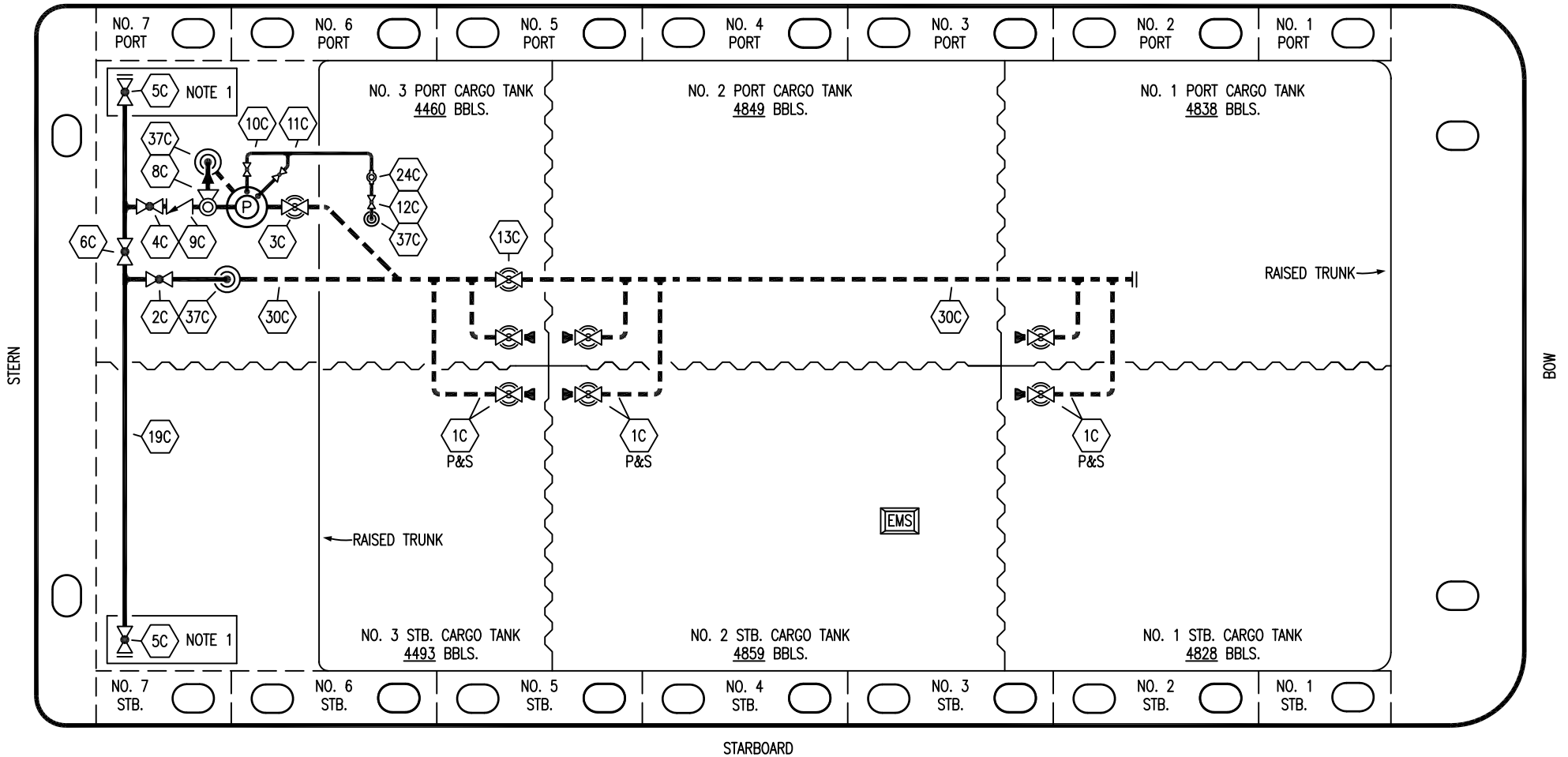


PORT



- |     |                      |       |                                 |
|-----|----------------------|-------|---------------------------------|
| NO  | DESCRIPTION          | NO    | DESCRIPTION                     |
| 1C  | CARGO TANK VALVE     | 12C   | BURP VALVE RETURN TO CARGO TANK |
| 2C  | LOAD VALVE           | 13C   | CARGO PIPING BLOCK VALVE        |
| 3C  | MASTER SUCTION VALVE | 19C   | CARGO HEADER                    |
| 4C  | DISCHARGE VALVE      | 24C   | FLOW INDICATOR                  |
| 5C  | HEADER VALVE         | 30C   | CARGO PIPELINE                  |
| 6C  | SALVAGE VALVE        | 37C   | CARGO DROP                      |
| 8C  | RELIEF VALVE         |       |                                 |
| 9C  | CHECK VALVE          | —     | ABOVE DECK PIPING               |
| 10C | BURP VALVE           | - - - | BELOW DECK PIPING               |
| 11C | BLEED OFF VALVE      |       |                                 |

NOTE 1: CONTAINMENT P/S

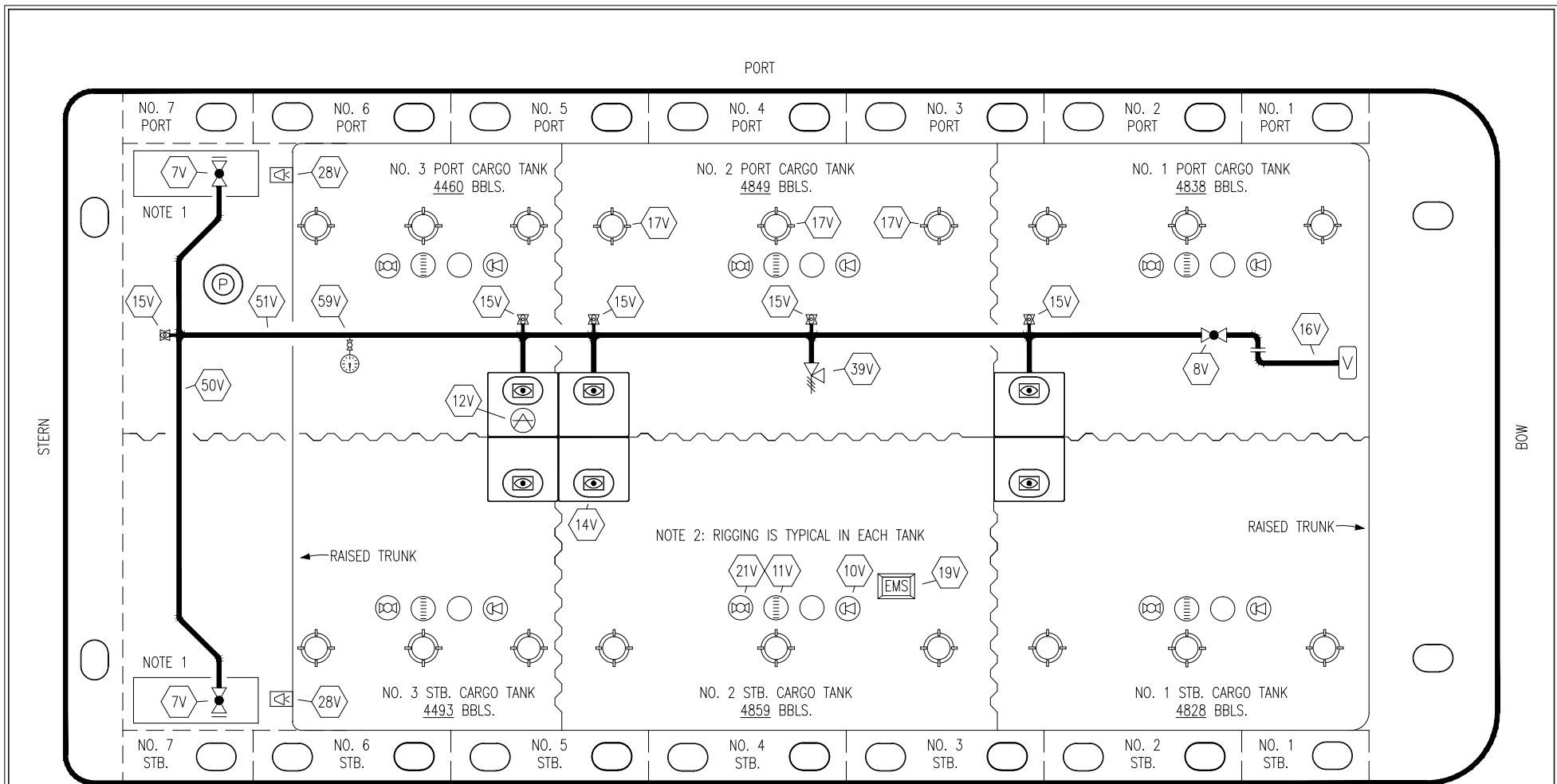
| REV. | DATE     | BY  | CHK | APP | REVISION DESCRIPTION        |
|------|----------|-----|-----|-----|-----------------------------|
| 1    | 12/08/15 | BB  | DDA |     | REVISED PER CLIENT COMMENTS |
| 0    | 06/18/14 | DDA | DDA |     | ISSUED FOR APPROVAL         |

TRINITY

**KIRBY INLAND MARINE**

**CARGO  
PIPING FLOW DIAGRAM**


|                    |               |
|--------------------|---------------|
| <b>KIRBY 29128</b> | REV. <b>1</b> |
| SCALE: NONE        | PAGE: 1 OF 3  |



| NO  | DESCRIPTION                     | NO  | DESCRIPTION            |
|-----|---------------------------------|-----|------------------------|
| 7V  | 8" HEADER VALVE                 | 21V | 2" HERMETIC GAUGE      |
| 8V  | 8" VENT STACK VALVE             | 28V | DOCK CONNECTION ALARM  |
| 10V | 8" HIGH LEVEL/OVERFILL ALARM    | 38V | 8" VAPOR PENETRATION   |
| 11V | 8" 1-METER STICK GAUGE          | 39V | PRESS/VAC RELIEF VALVE |
| 12V | HERMETIC SAMPLE POINT           | 50V | 8" VAPOR HEADER        |
| 14V | 8 3/4" SIGHT GLASS W/GAUGE TREE | 51V | 8" VAPOR PIPELINE      |
| 15V | 2" INSPECTION PORT              | 59V | PRESS/VAC GAUGE        |
| 16V | 8" VAPOR VENT STACK             | —   | ABOVE DECK PIPING      |
| 17V | 14" BUTTERWORTH                 |     |                        |
| 19V | EMERGENCY ENGINE SHUT DOWN      |     |                        |

NOTE 1: CONTAINMENT P/S  
 NOTE 2: RIGGING IS TYPICAL IN EACH TANK

| REV. | DATE     | BY  | CHK | APP | REVISION DESCRIPTION        |
|------|----------|-----|-----|-----|-----------------------------|
| 2    | 12/08/16 | MG  | DDA |     | REVISED PER CLIENT COMMENTS |
| 1    | 03/10/15 | BB  | DDA |     | REVISED PER CLIENT COMMENTS |
| 0    | 06/18/14 | DDA | DDA |     | ISSUED FOR APPROVAL         |



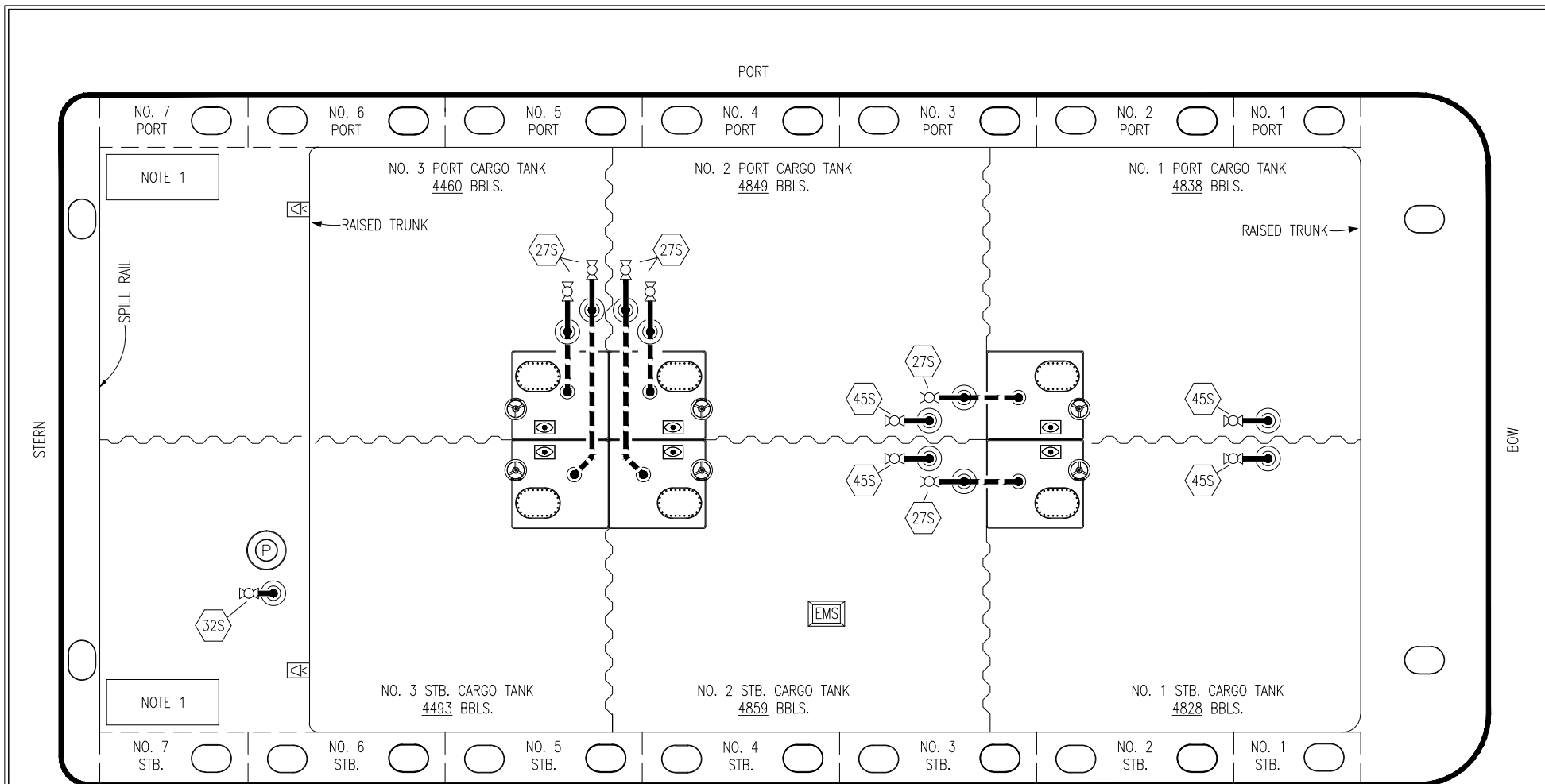
**KIRBY INLAND MARINE**

**VAPOR PIPING FLOW DIAGRAM**

**KIRBY 29128**

|              |        |
|--------------|--------|
| SCALE: NONE  | REV. 2 |
| PAGE: 2 OF 3 |        |

TRINITY



- | NO    | DESCRIPTION                  |
|-------|------------------------------|
| 18S   | TYP. STRIPPING DROP          |
| 27S   | SUMP SUCTION VALVE           |
| 32S   | PUMP WELL PRIMER VALVE       |
| 45S   | STRIPPING PUMP SUCTION VALVE |
| —     | ABOVE DECK PIPING            |
| - - - | BELOW DECK PIPING            |

NOTE 1: CONTAINMENT P/S

TRINITY

|      |          |     |     |     |                             |                            |                    |          |
|------|----------|-----|-----|-----|-----------------------------|----------------------------|--------------------|----------|
|      |          |     |     |     |                             | <b>KIRBY INLAND MARINE</b> |                    |          |
|      |          |     |     |     |                             | <b>STRIPPING</b>           |                    |          |
|      |          |     |     |     |                             | <b>PIPING FLOW DIAGRAM</b> |                    |          |
| 1    | 12/08/16 | MG  | DDA |     | REVISED PER CLIENT COMMENTS |                            |                    |          |
| 0    | 06/18/14 | DDA | DDA |     | ISSUED FOR APPROVAL         | SCALE: NONE                |                    |          |
| REV. | DATE     | BY  | CHK | APP | REVISION DESCRIPTION        | PAGE: 3 OF 3               | <b>KIRBY 29128</b> |          |
|      |          |     |     |     |                             |                            |                    | <b>1</b> |