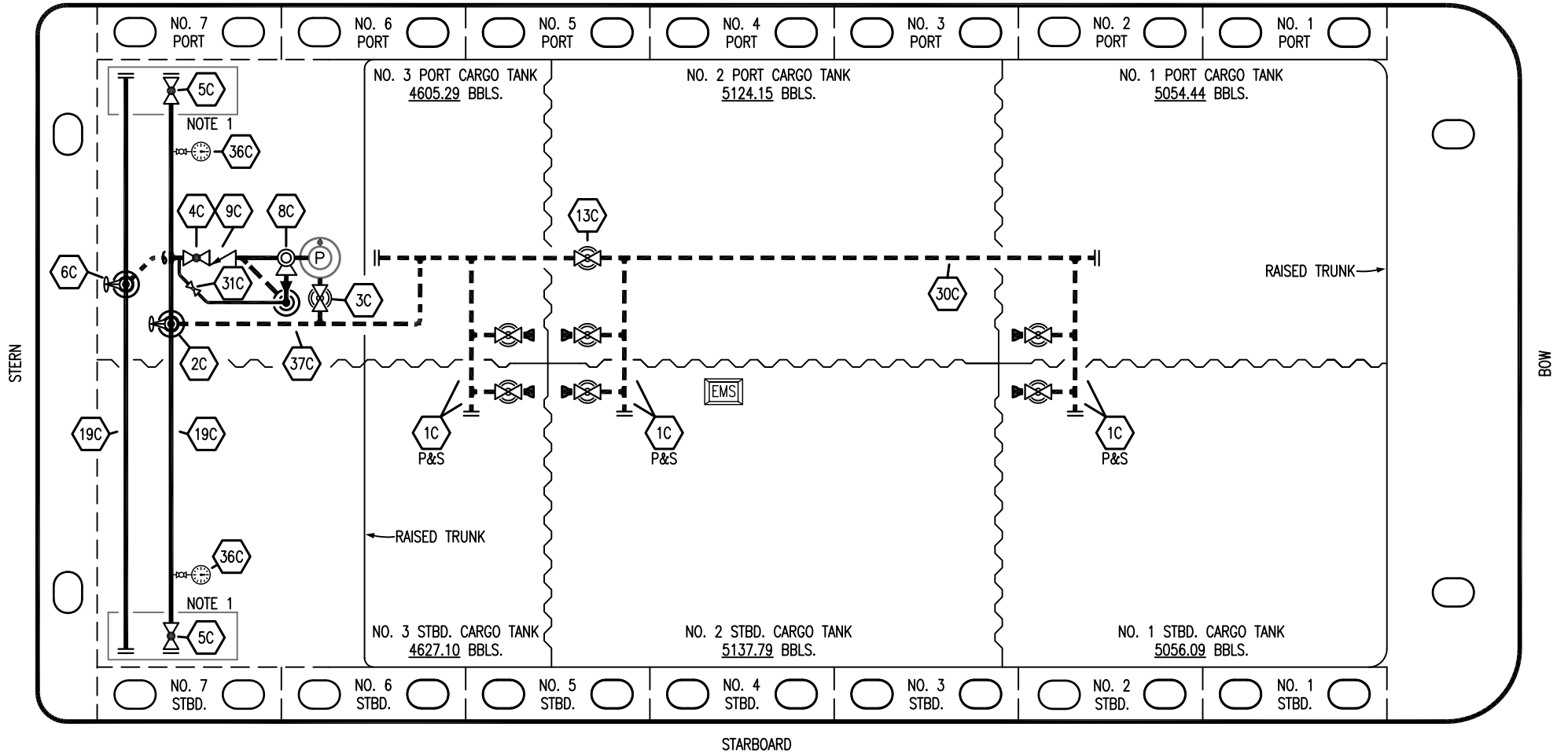


PORT



STARBOARD

- |    |                      |       |                          |
|----|----------------------|-------|--------------------------|
| NO | DESCRIPTION          | NO    | DESCRIPTION              |
| 1C | CARGO TANK VALVE     | 13C   | CARGO PIPING BLOCK VALVE |
| 2C | LOAD VALVE           | 19C   | CARGO HEADER             |
| 3C | MASTER SUCTION VALVE | 30C   | CARGO PIPELINE           |
| 4C | DISCHARGE VALVE      | 31C   | BYPASS VALVE             |
| 5C | HEADER VALVE         | 36C   | PRESSURE GAUGE           |
| 6C | SALVAGE VALVE        | 37C   | CARGO DROP               |
| 8C | RELIEF VALVE         | —     | — ABOVE DECK PIPING      |
| 9C | CHECK VALVE          | - - - | - - - BELOW DECK PIPING  |

NOTE 1: CONTAINMENT P/S

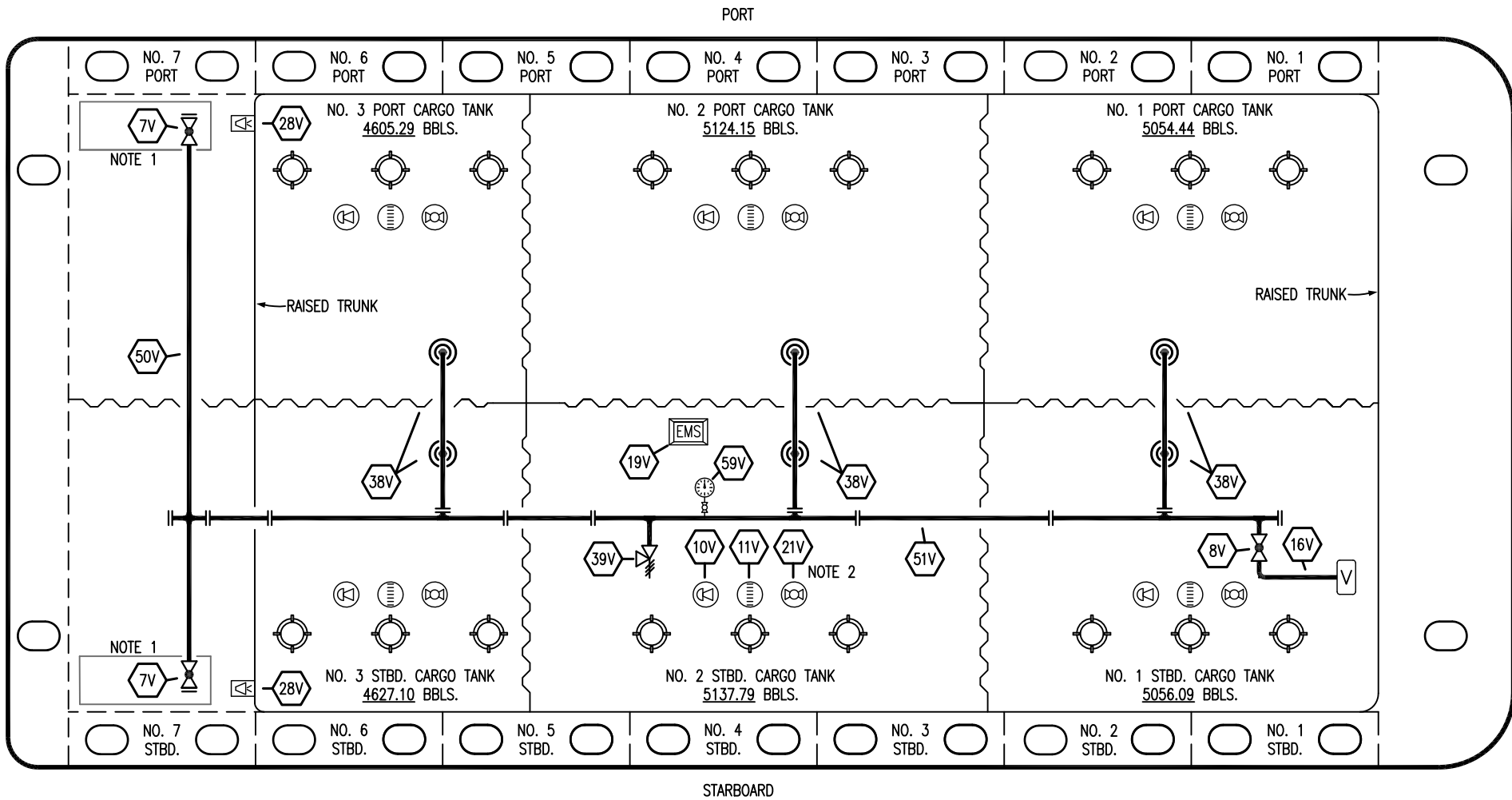
EX: BOI L2

1	10/20/23	MRV	DDA	RM	REVISED BARGE NAME
0	06/03/19	MRV	DDA		ISSUED FOR APPROVAL
REV.	DATE	BY	CHK	APP	REVISION DESCRIPTION

**KIRBY INLAND MARINE**

**CARGO  
PIPING FLOW DIAGRAM**

SCALE: NONE	<b>KIRBY 29096</b>	REV. 1
PAGE: 1 OF 3		



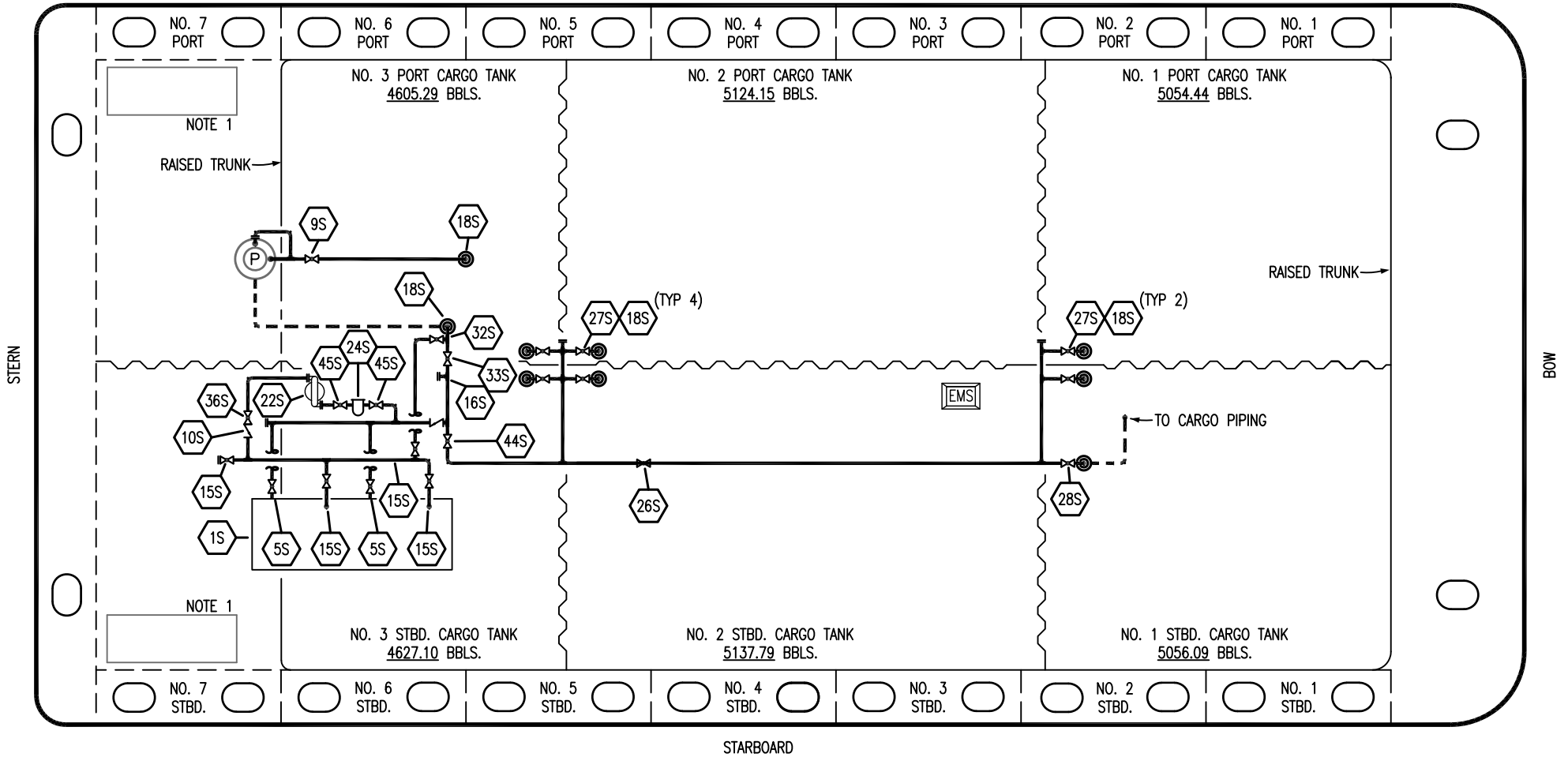
- |     |                            |     |                       |
|-----|----------------------------|-----|-----------------------|
| NO  | DESCRIPTION                | NO  | DESCRIPTION           |
| 7V  | HEADER VALVE               | 28V | DOCK CONNECTION ALARM |
| 8V  | VENT STACK VALVE           | 38V | VAPOR PENETRATION     |
| 10V | HIGH LEVEL/OVERFILL ALARM  | 39V | PRESSURE/VACUUM VALVE |
| 11V | 1-METER GAUGE STICK        | 50V | VAPOR HEADER          |
| 16V | VAPOR VENT STACK           | 51V | VAPOR PIPELINE        |
| 19V | EMERGENCY ENGINE SHUT DOWN | 59V | PRESS/VAC GAUGE       |
| 21V | HERMETIC GAUGE             | —   | ABOVE DECK PIPING     |

NOTE 2: TYPICAL RIGGING IN EACH TANK  
 NOTE 1: CONTAINMENT P/S

EX: BOI L2

<b>KIRBY INLAND MARINE</b>					
<b>VAPOR PIPING FLOW DIAGRAM</b>					
REV.	DATE	BY	CHK	APP	REVISION DESCRIPTION
1	10/20/23	MRV	DDA	RM	REVISED BARGE NAME
0	06/03/19	MRV	DDA		ISSUED FOR APPROVAL
					SCALE: NONE
					PAGE: 2 OF 3
<b>KIRBY 29096</b>					<b>REV. 0</b>

PORT



- |     |                                |       |                              |
|-----|--------------------------------|-------|------------------------------|
| NO  | DESCRIPTION                    | NO    | DESCRIPTION                  |
| 1S  | SLOP TANK                      | 26S   | STRIPPING HEADER BLOCK VALVE |
| 5S  | SLOP TANK SUCTION VALVE        | 27S   | SUMP SUCTION VALVE           |
| 9S  | BURP VALVE                     | 28S   | CARGO PIPING SUCTION         |
| 10S | STRIPPING PUMP CHECK VALVE     | 32S   | PUMP WELL PRIMER VALVE       |
| 15S | DISCHARGE VALVE                | 33S   | PUMP WELL SUCTION            |
| 16S | REMOTE SUCTION CONNECTION      | 36S   | STRIPPING PUMP DISCHARGE     |
| 18S | TYP. STRIPPING PENETRATION (⊙) | 44S   | STRIPPING PUMP SUCTION       |
| 22S | STRIPPING PUMP                 | 45S   | STRIPPING PUMP SUCTION VALVE |
| 24S | BASKET STRAINER                | —     | ABOVE DECK PIPING            |
|     |                                | - - - | BELOW DECK PIPING            |

NOTE 1: CONTAINMENT P/S

0	10/20/23	MRV	DDA	RM	ISSUED FOR APPROVAL	
REV.	DATE	BY	CHK	APP	REVISION DESCRIPTION	

EX: BOI L2

**KIRBY INLAND MARINE**

**STRIPPING  
PIPING FLOW DIAGRAM**

**KIRBY 29096**

SCALE: NONE	REV. 0
PAGE: 3 OF 3	