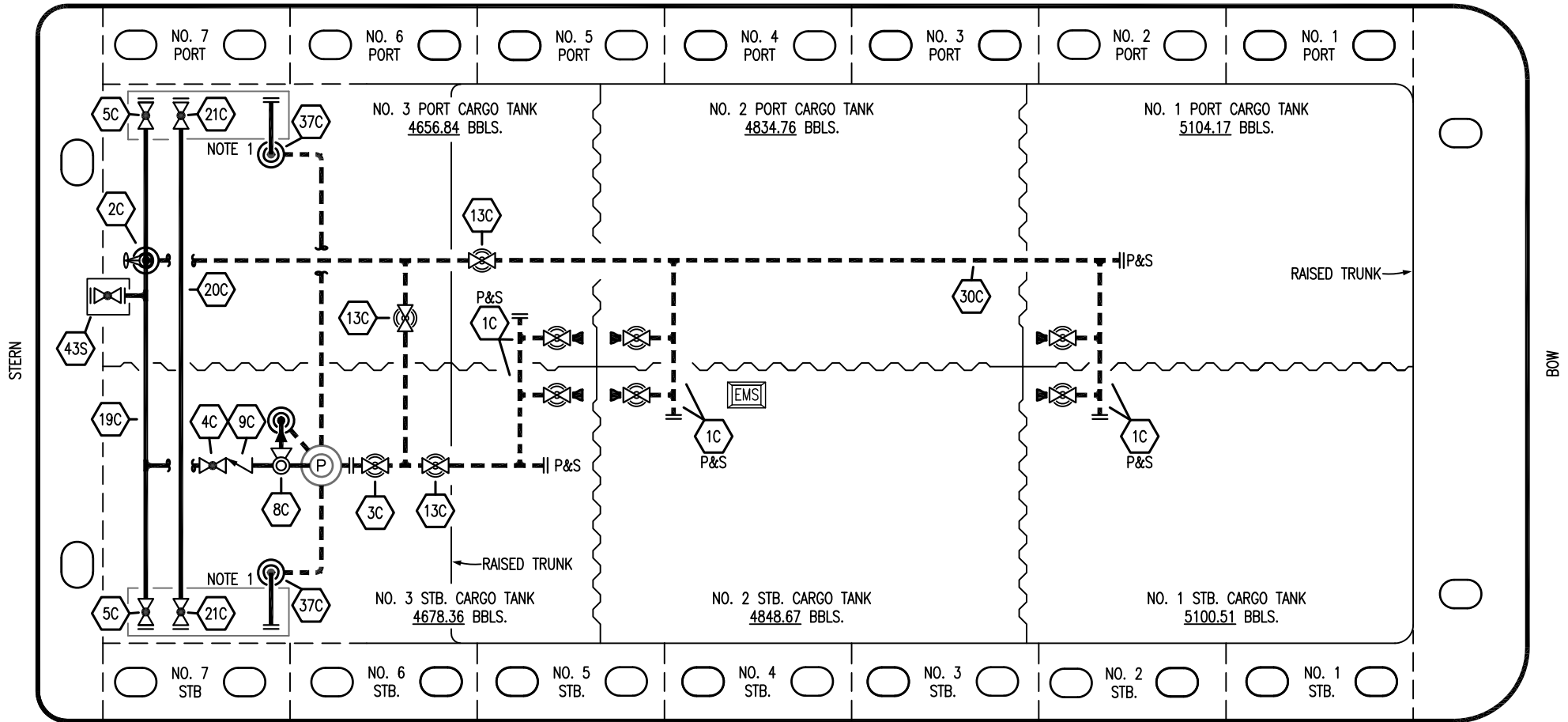


PORT



STARBOARD

NO	DESCRIPTION	NO	DESCRIPTION
1C	CARGO TANK VALVE	20C	DUMMY HEADER PIPING
2C	LOAD VALVE	21C	DUMMY HEADER VALVE
3C	MASTER SUCTION VALVE	30C	CARGO PIPELINE
4C	DISCHARGE VALVE	37C	CARGO DROP
5C	HEADER VALVE	43S	STERN HEADER VALVE
8C	RELIEF VALVE	—	— ABOVE DECK PIPING
9C	CHECK VALVE	---	--- BELOW DECK PIPING
13C	CARGO PIPING BLOCK VALVE		
19C	CARGO HEADER		

NOTE 1: CONTAINMENT P/S

TRINITY -- EX: CTCO 317

REV.	DATE	BY	CHK	APP	REVISION DESCRIPTION
1	01/10/24	MRV	DDA	DL	REVISED PER CLIENT COMMENTS
0	02/15/19	MRV	DDA		ISSUED FOR APPROVAL

**KIRBY INLAND MARINE** 

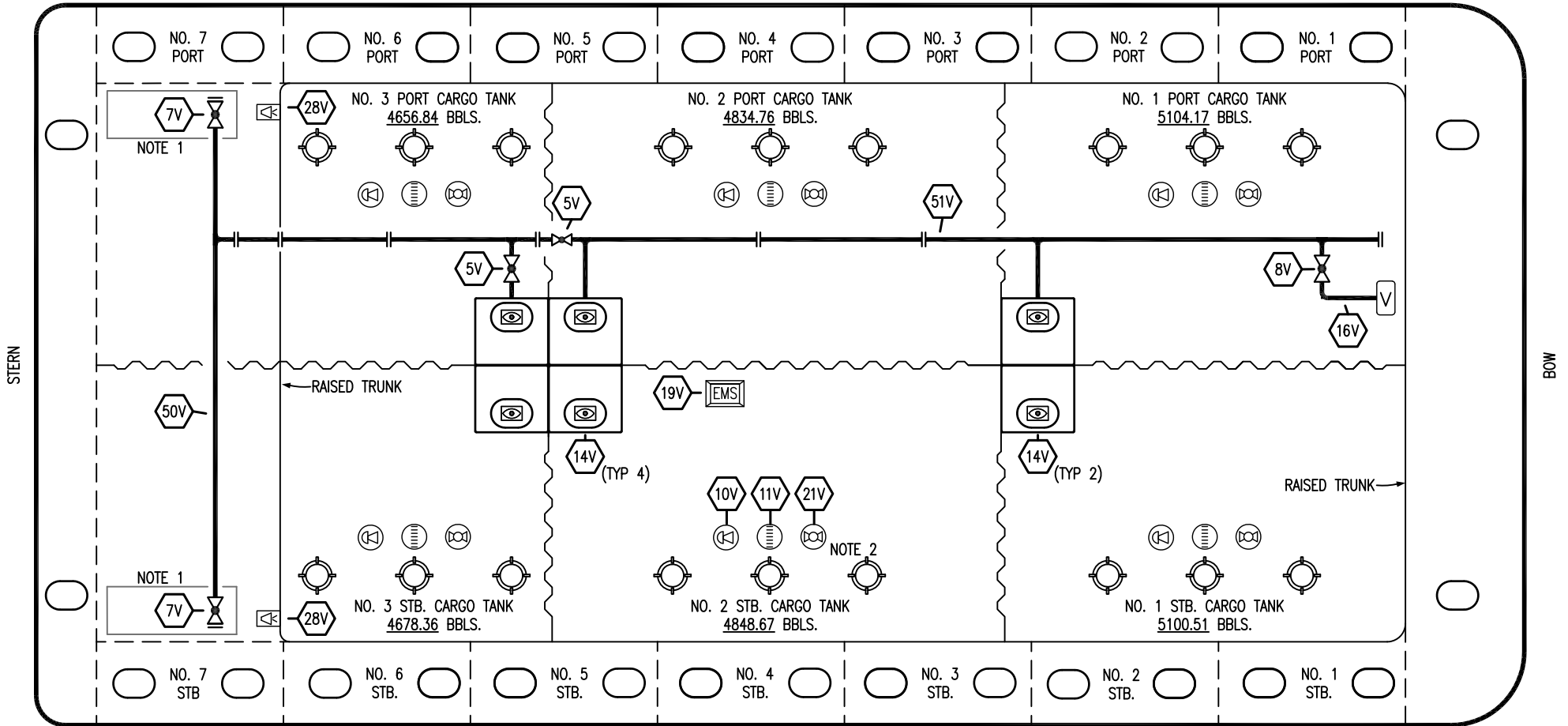
**CARGO  
PIPING FLOW DIAGRAM**

SCALE: NONE  
PAGE: 1 OF 2

**KIRBY 29089**

REV. **1**

PORT



STARBOARD

- |     |                           |     |                            |
|-----|---------------------------|-----|----------------------------|
| NO  | DESCRIPTION               | NO  | DESCRIPTION                |
| 5V  | BLOCK VALVE               | 19V | EMERGENCY ENGINE SHUT DOWN |
| 7V  | HEADER VALVE              | 21V | HERMETIC GAUGE             |
| 8V  | VENT STACK VALVE          | 28V | DOCK CONNECTION ALARM      |
| 10V | HIGH LEVEL/OVERFILL ALARM | 50V | VAPOR HEADER               |
| 11V | 1-METER GAUGE STICK       | 51V | VAPOR PIPELINE             |
| 14V | SIGHT GLASS               | —   | ABOVE DECK PIPING          |
| 16V | VAPOR VENT STACK          |     |                            |

NOTE 2: TYPICAL RIGGING IN EACH TANK  
NOTE 1: CONTAINMENT P/S

TRINITY -- EX: CTCO 317

REV.	DATE	BY	CHK	APP	REVISION DESCRIPTION
1	01/10/24	MRV	DDA	DL	REVISED PER CLIENT COMMENTS
0	02/15/19	MRV	DDA		ISSUED FOR APPROVAL

**KIRBY INLAND MARINE**

**VAPOR PIPING FLOW DIAGRAM**

<b>KIRBY 29089</b>	REV. <b>1</b>
SCALE: NONE	PAGE: 2 OF 2