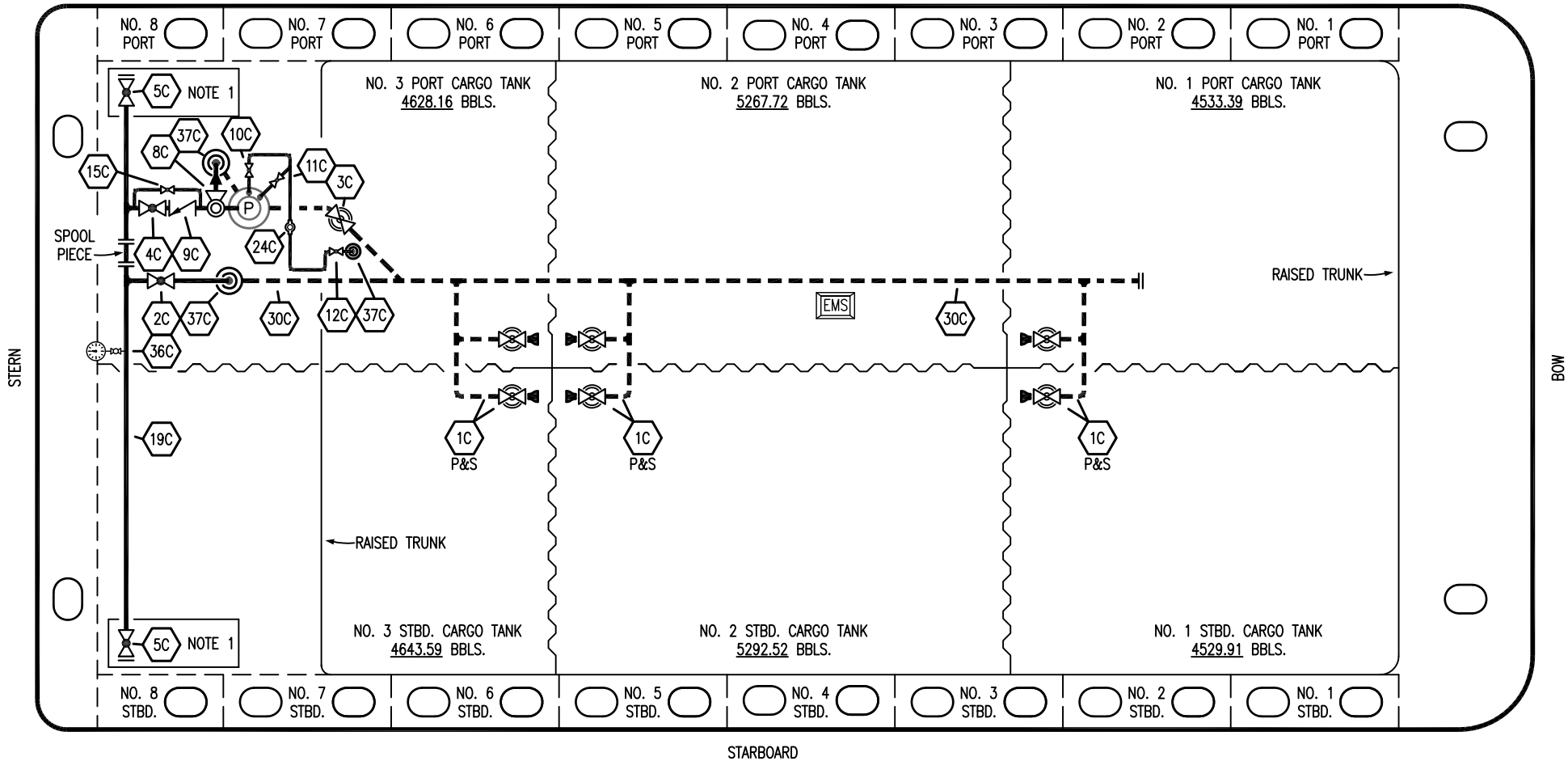


PORT



STERN

BOW

STARBOARD

NO	DESCRIPTION	NO	DESCRIPTION
1C	CARGO TANK VALVE	15C	BYPASS VALVE AROUND CHECK
2C	LOAD VALVE	19C	CARGO HEADER
3C	MASTER SUCTION VALVE	24C	FLOW INDICATOR
4C	DISCHARGE VALVE	30C	CARGO PIPELINE
5C	HEADER VALVE	36C	PRESSURE GAUGE
8C	RELIEF VALVE	37C	CARGO DROP
9C	CHECK VALVE	—	— ABOVE DECK PIPING
10C	BURP VALVE	---	--- BELOW DECK PIPING
11C	BLEED OFF VALVE		
12C	BURP VALVE RETURN TO CARGO TANK		

NOTE 1: CONTAINMENT P/S

WEST GULF MARINE INC.

KIRBY INLAND MARINE 

**CARGO
PIPING FLOW DIAGRAM**

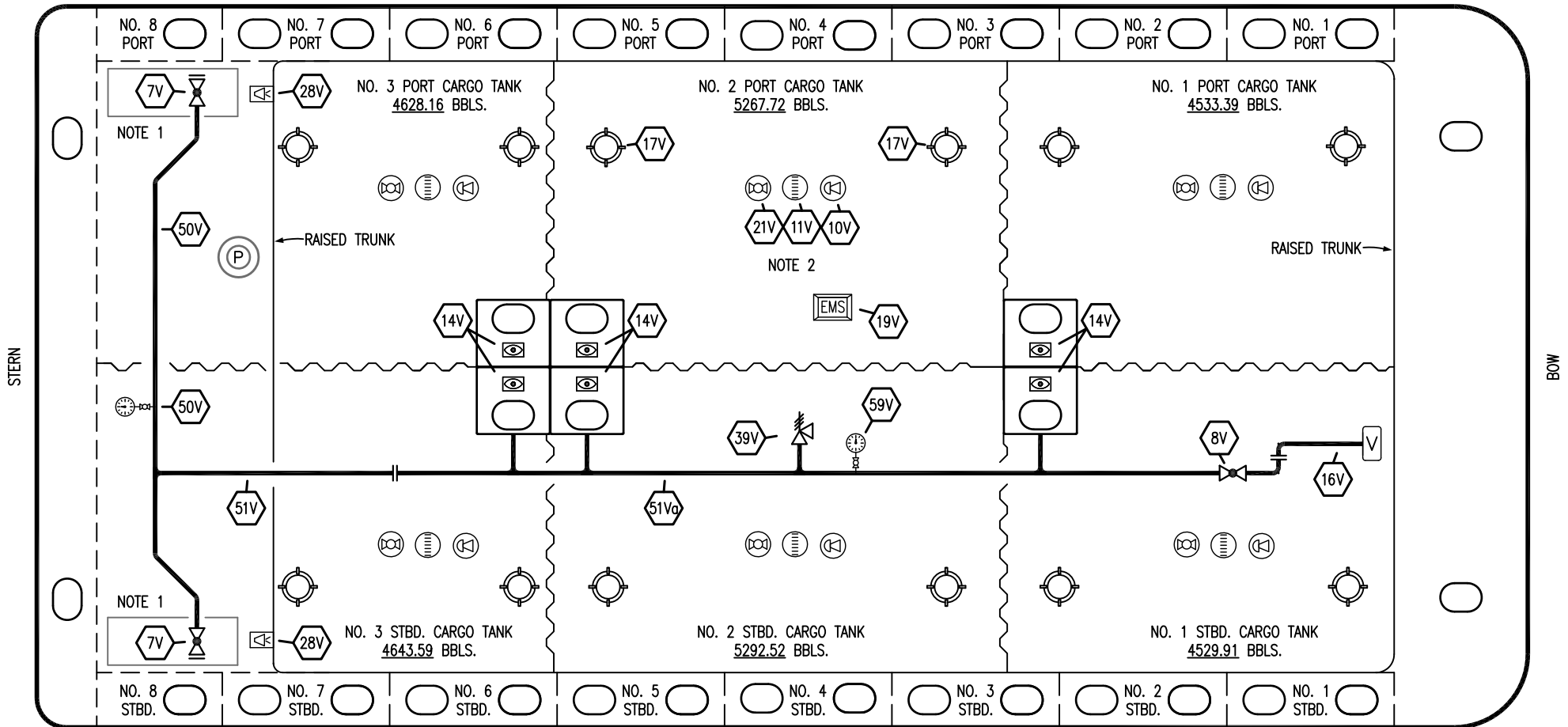
REV.	DATE	BY	CHK	APP	REVISION DESCRIPTION
1	04/28/23	MRV	DDA	JF	REVISED PER CLIENT COMMENTS
0	04/24/17	WFB	DDA		ISSUED FOR APPROVAL

SCALE: NONE
PAGE: 1 OF 3

KIRBY 29067

REV. **1**

PORT



STERN

BOW


STARBOARD

NO	DESCRIPTION	NO	DESCRIPTION
7V	8" HEADER VALVE	28V	DOCK CONNECTION ALARM
8V	8" VENT STACK VALVE	39V	PRESS/VAC RELIEF VALVE
10V	8" HIGH LEVEL/OVERFILL ALARM	50V	8" VAPOR HEADER
11V	8" 1-METER STICK GAUGE	51V	8" VAPOR PIPELINE
14V	8" SIGHT GLASS W/GAUGE TREE	51Va	10" VAPOR PIPELINE
16V	8" VAPOR VENT STACK	59V	PRESS/VAC GAUGE
17V	20" BUTTERWORTH	—	ABOVE DECK PIPING
19V	EMERGENCY ENGINE SHUT DOWN		
21V	2" HERMETIC GAUGE		
23V	PRESSURE GAUGE		

NOTE 1: CONTAINMENT P/S
NOTE 2: RIGGING IS TYPICAL IN EACH TANK

WEST GULF MARINE INC.

REV.	DATE	BY	CHK	APP	REVISION DESCRIPTION
1	04/28/23	MRV	DDA	JF	REVISED PER CLIENT COMMENTS
0	04/24/17	WFB	DDA		ISSUED FOR APPROVAL

KIRBY INLAND MARINE 

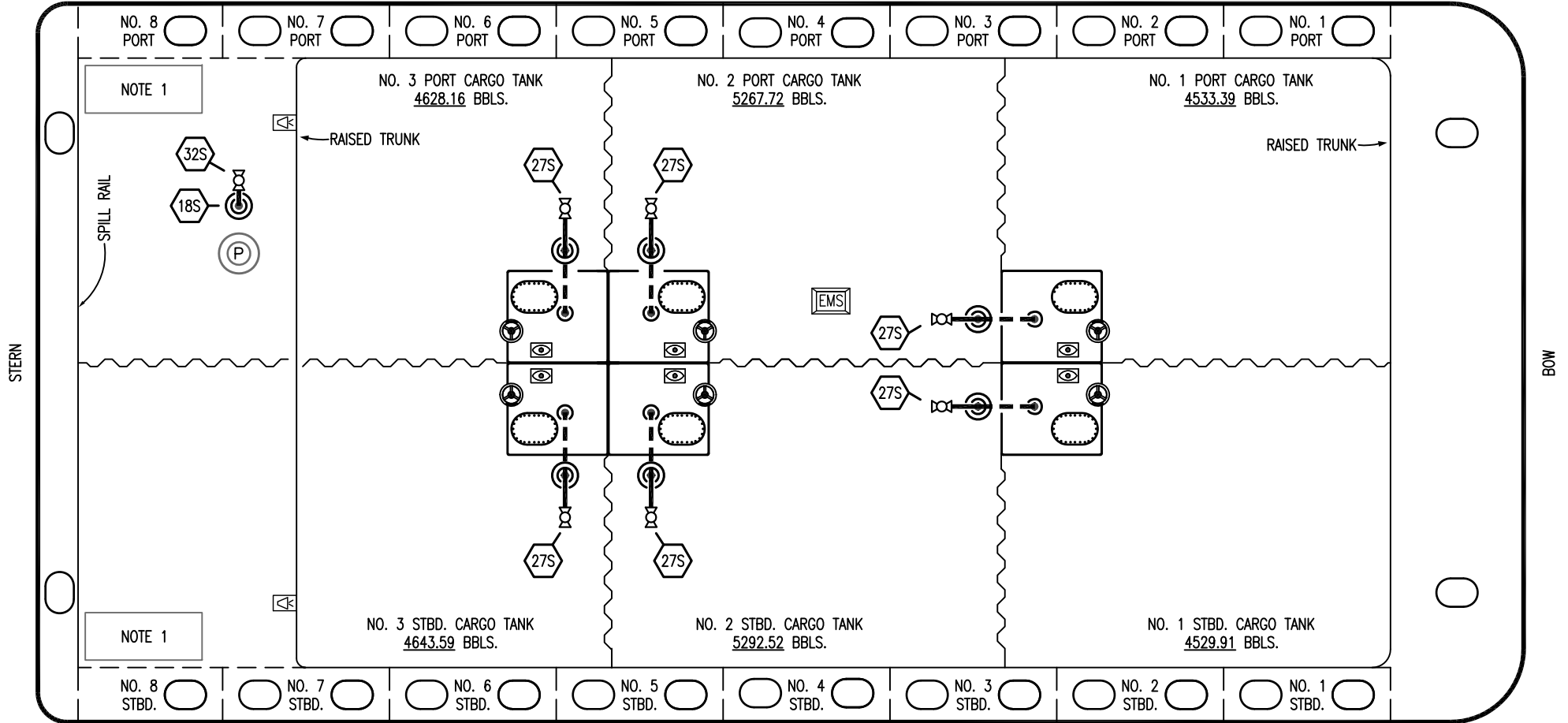
VAPOR PIPING FLOW DIAGRAM

KIRBY 29067

SCALE: NONE
PAGE: 2 OF 3

REV. **1**

PORT



NOTE 1

NO. 3 PORT CARGO TANK
4628.16 BBLs.

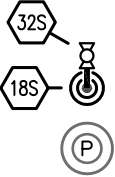
NO. 2 PORT CARGO TANK
5267.72 BBLs.

NO. 1 PORT CARGO TANK
4533.39 BBLs.

← RAISED TRUNK

RAISED TRUNK →

SPILL RAIL



EMS

NOTE 1

NO. 3 STBD. CARGO TANK
4643.59 BBLs.

NO. 2 STBD. CARGO TANK
5292.52 BBLs.

NO. 1 STBD. CARGO TANK
4529.91 BBLs.

STERN

BOW

STARBOARD

- NO DESCRIPTION
- 18S TYP. STRIPPING DROP
- 27S SUMP SUCTION VALVE
- 32S PUMP WELL PRIMER VALVE

- ABOVE DECK PIPING
- - - BELOW DECK PIPING

NOTE 1: CONTAINMENT P/S

WEST GULF MARINE INC.

REV.	DATE	BY	CHK	APP	REVISION DESCRIPTION
1	04/28/23	MRV	DDA	JF	REVISED PER CLIENT COMMENTS
0	04/24/17	WFB	DDA		ISSUED FOR APPROVAL

KIRBY INLAND MARINE 

**STRIPPING
PIPING FLOW DIAGRAM**

SCALE: NONE
PAGE: 3 OF 3

KIRBY 29067 REV. **1**