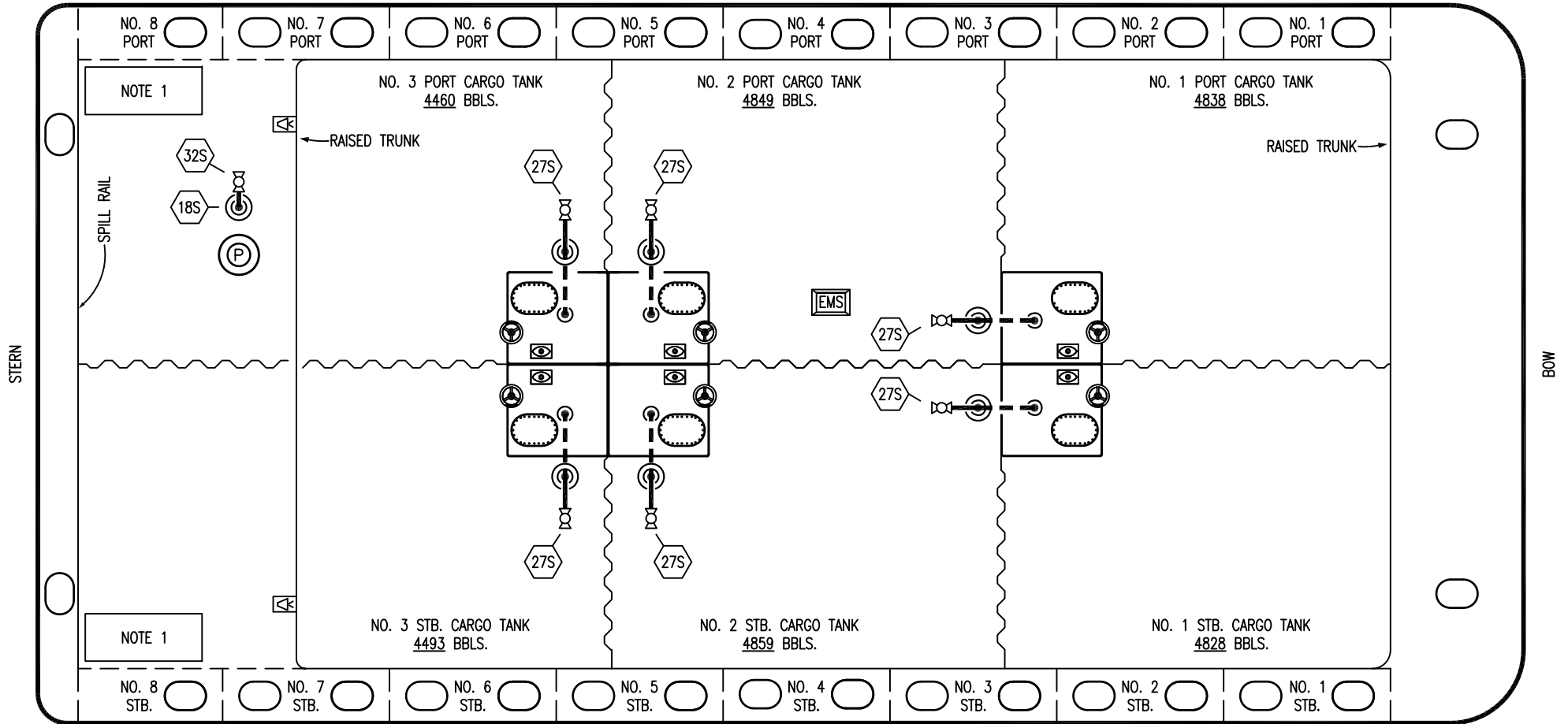


PORT



- | NO | DESCRIPTION |
|-------|-------------------------|
| 18S | TYP. STRIPPING DROP (P) |
| 27S | SUMP SUCTION VALVE |
| 32S | PUMP WELL PRIMER VALVE |
| — | ABOVE DECK PIPING |
| - - - | BELOW DECK PIPING |

NOTE 1: CONTAINMENT P/S

WEST GULF MARINE INC.

0	04/24/17	WFB	DDA		ISSUED FOR APPROVAL
REV.	DATE	BY	CHK	APP	REVISION DESCRIPTION

KIRBY INLAND MARINE 

**STRIPPING
PIPING FLOW DIAGRAM**