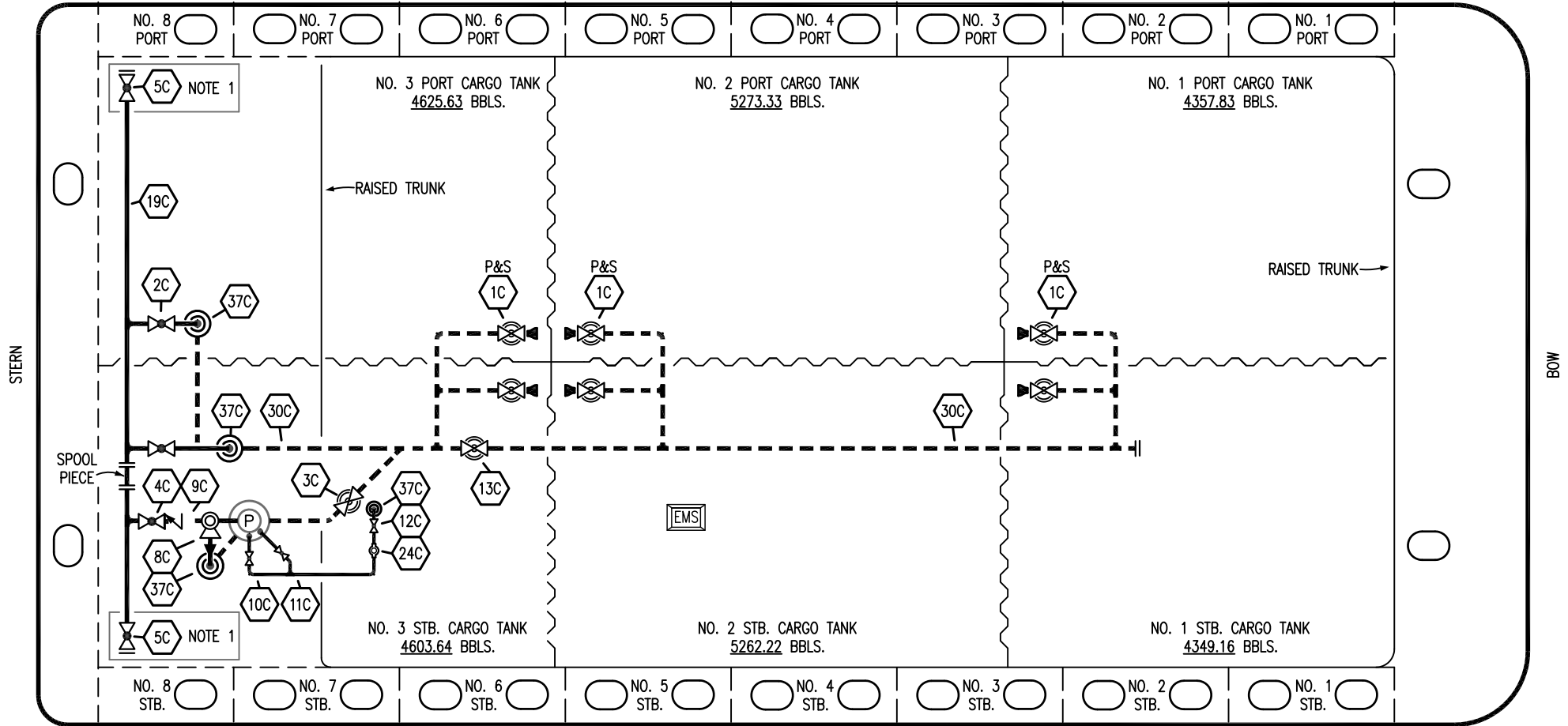


PORT



STARBOARD

- | | | | |
|-----|----------------------|-----|---------------------------------|
| NO | DESCRIPTION | NO | DESCRIPTION |
| 1C | CARGO TANK VALVE | 12C | BURP VALVE RETURN TO CARGO TANK |
| 2C | LOAD VALVE | 13C | CARGO PIPING BLOCK VALVE |
| 3C | MASTER SUCTION VALVE | 19C | CARGO HEADER |
| 4C | DISCHARGE VALVE | 24C | FLOW INDICATOR |
| 5C | HEADER VALVE | 30C | CARGO PIPELINE |
| 8C | RELIEF VALVE | 37C | CARGO DROP |
| 9C | CHECK VALVE | — | — ABOVE DECK PIPING |
| 10C | BURP VALVE | --- | --- BELOW DECK PIPING |
| 11C | BLEED OFF VALVE | | |

NOTE 1: CONTAINMENT P/S

WEST GULF MARINE

REV.	DATE	BY	CHK	APP	REVISION DESCRIPTION
2	11/01/23	MRV	DDA	DL	REVISED PER CLIENT COMMENTS
1	11/28/17	WFB	DDA		REVISED PER CLIENT COMMENTS
0	06/12/12	DCB	DDA		FOR APPROVAL

KIRBY INLAND MARINE

CARGO

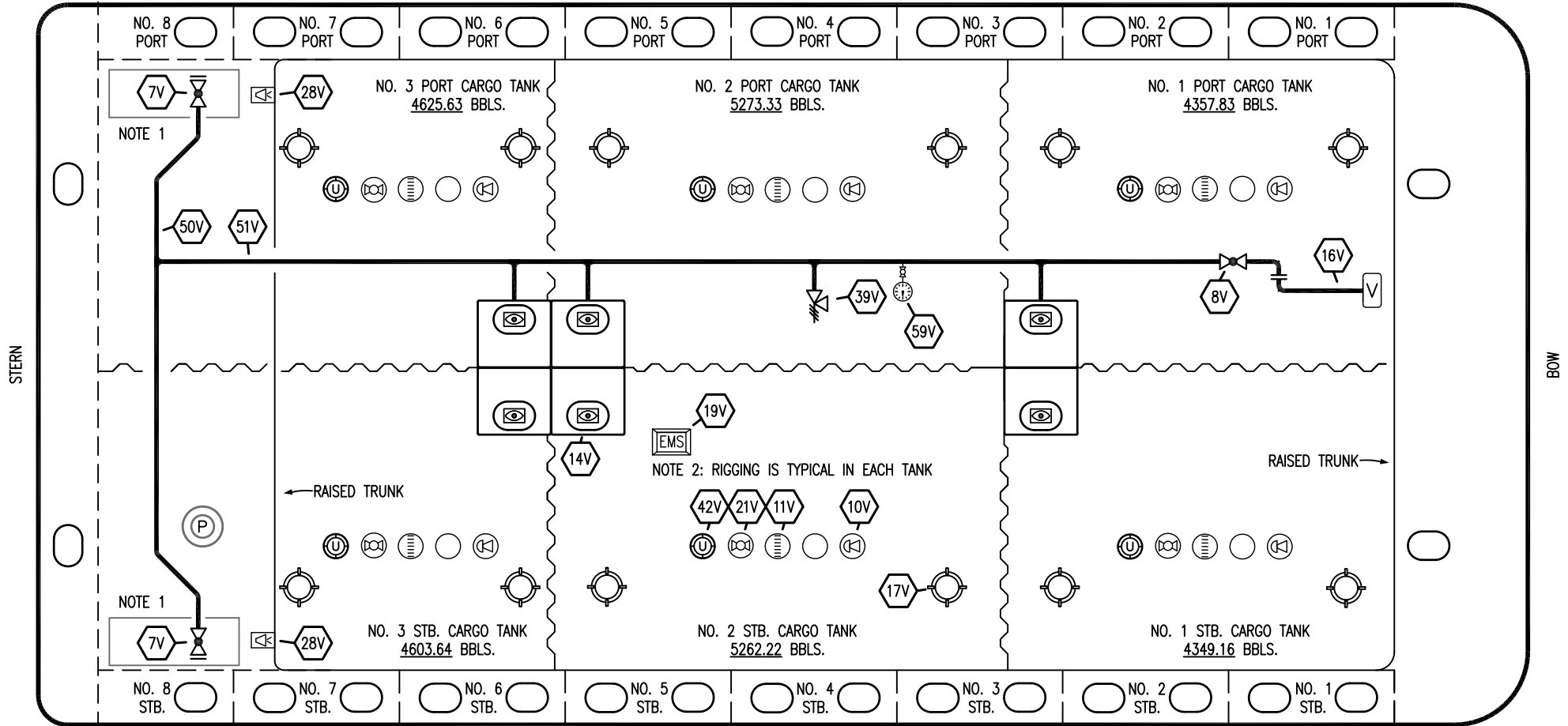
PIPING FLOW DIAGRAM

KIRBY 29059

SCALE: NONE
PAGE: 1 OF 3

REV. 2

PORT



STERN

BOW

STARBOARD

NO	DESCRIPTION	NO	DESCRIPTION
7V	8" HEADER VALVE	21V	2" HERMETIC GAUGE
8V	8" VENT STACK VALVE	28V	DOCK CONNECTION ALARM
10V	8" HIGH LEVEL/OVERFILL ALARM	38V	8" VAPOR PENETRATION
11V	8" 1-METER STICK GAUGE	39V	PRESS/VAC RELIEF VALVE
14V	6" SIGHT GLASS W/GAUGE TREE	42V	8" ULLAGE HATCH
16V	8" VAPOR VENT STACK	50V	8" VAPOR HEADER
17V	20" BUTTERWORTH	51V	8" VAPOR PIPELINE
18V	2" RESTRICTIVE GAUGE TUBE	59V	PRESS/VAC GAUGE
19V	EMERGENCY ENGINE SHUT DOWN	—	— ABOVE DECK PIPING

NOTE 1: CONTAINMENT P/S

NOTE 2: RIGGING IS TYPICAL IN EACH TANK

WEST GULF MARINE

REV.	DATE	BY	CHK	APP	REVISION DESCRIPTION
2	11/01/23	MRV	DDA	DL	REVISED PER CLIENT COMMENTS
1	11/28/17	WFB	DDA		REVISED PER CLIENT COMMENTS
0	06/12/12	DCB	DDA		FOR APPROVAL

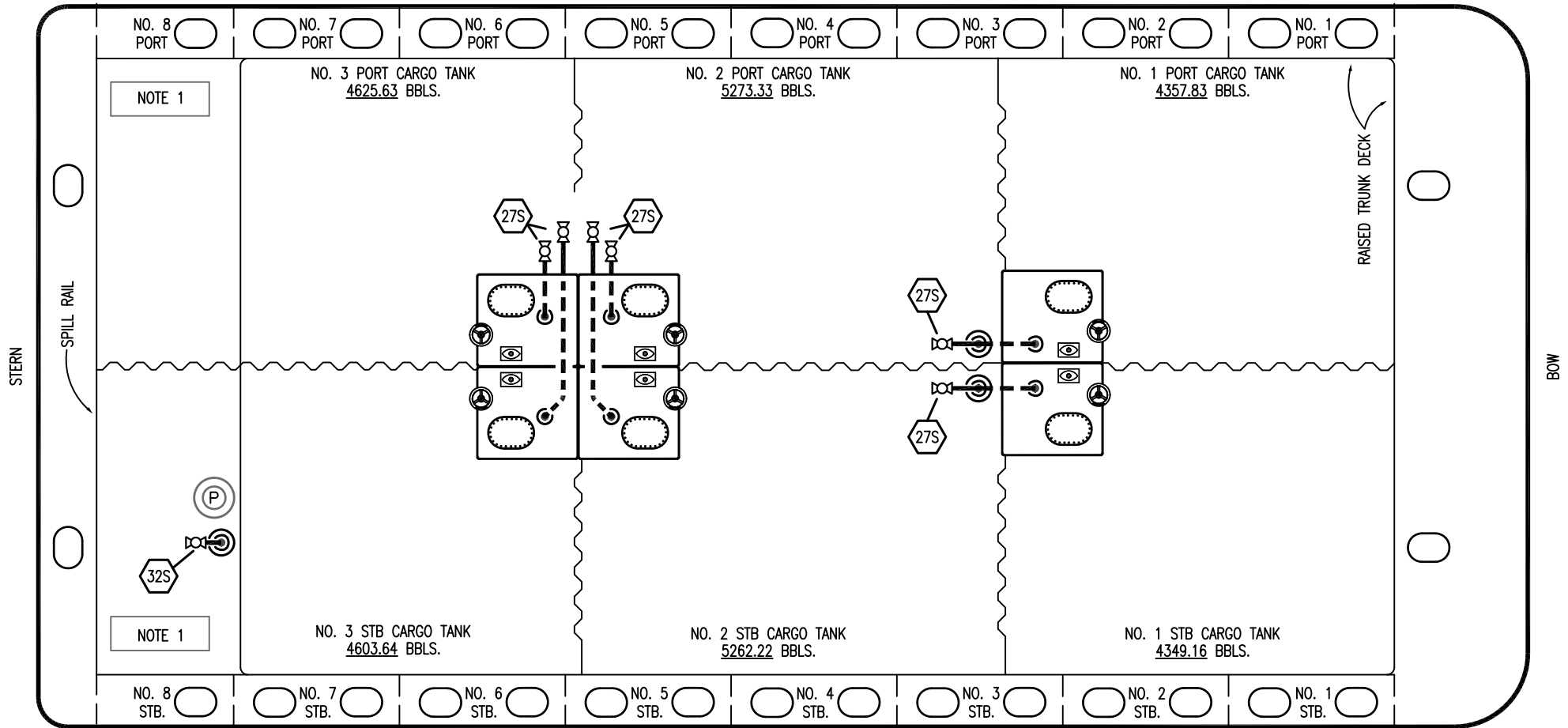
KIRBY INLAND MARINE 

**VAPOR
PIPING FLOW DIAGRAM**

SCALE: NONE
PAGE: 2 OF 3

KIRBY 29059 REV. **2**

PORT



STARBOARD

- | | |
|-------|--------------------------------|
| NO | DESCRIPTION |
| 18S | TYP. STRIPPING PENETRATION (P) |
| 27S | SUMP SUCTION |
| 32S | DEEP WELL STRIPPING DROP |
| — | ABOVE DECK PIPING |
| - - - | BELOW DECK PIPING |

NOTE 1: CONTAINMENT P/S

WEST GULF MARINE

2	11/01/23	MRV	DDA	DL	REVISED PER CLIENT COMMENTS
1	11/28/17	WFB	DDA		REVISED PER CLIENT COMMENTS
0	06/12/12	DCB	DDA		FOR APPROVAL
REV.	DATE	BY	CHK	APP	REVISION DESCRIPTION

KIRBY INLAND MARINE 

**STRIPPING
PIPING FLOW DIAGRAM**

SCALE: NONE
PAGE: 3 OF 3

KIRBY 29059 REV. **2**