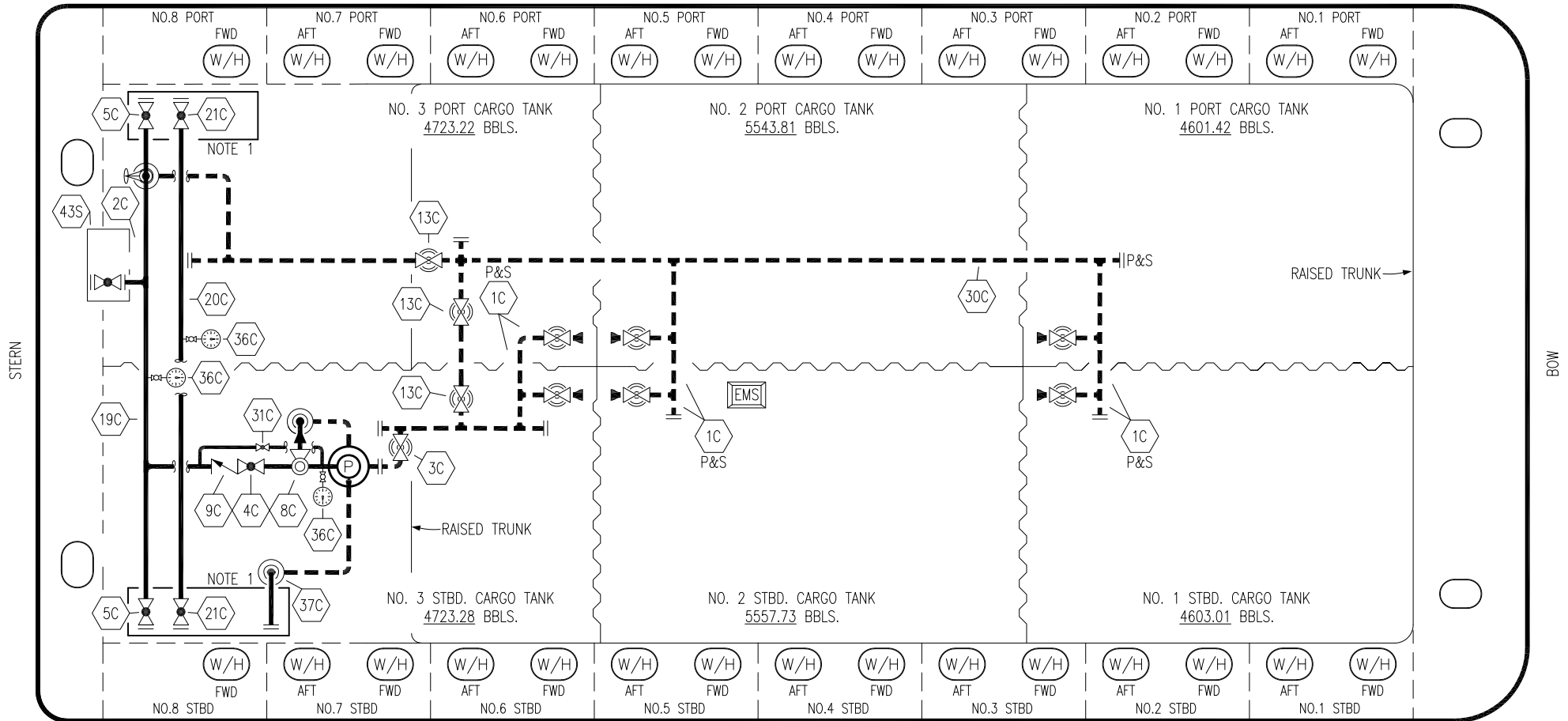


PORT



STARBOARD

NO	DESCRIPTION	NO	DESCRIPTION
1C	CARGO TANK VALVE	20C	DUMMY HEADER PIPING
2C	LOAD VALVE	21C	DUMMY HEADER VALVE
3C	MASTER SUCTION VALVE	30C	CARGO PIPELINE
4C	DISCHARGE VALVE	37C	CARGO DROP
5C	HEADER VALVE	43S	STERN HEADER VALVE
8C	RELIEF VALVE	—	— ABOVE DECK PIPING
9C	CHECK VALVE	---	--- BELOW DECK PIPING
13C	CARGO PIPING BLOCK VALVE		
19C	CARGO HEADER		

NOTE 1: CONTAINMENT P/S

EX: CTCO 345

REV.	DATE	BY	CHK	APP	REVISION DESCRIPTION
1	08/25/21	MRV	DDA	CW	REVISED PER CLIENT COMMENTS
0	02/18/19	MRV	DDA		ISSUED FOR APPROVAL



**KIRBY INLAND MARINE**

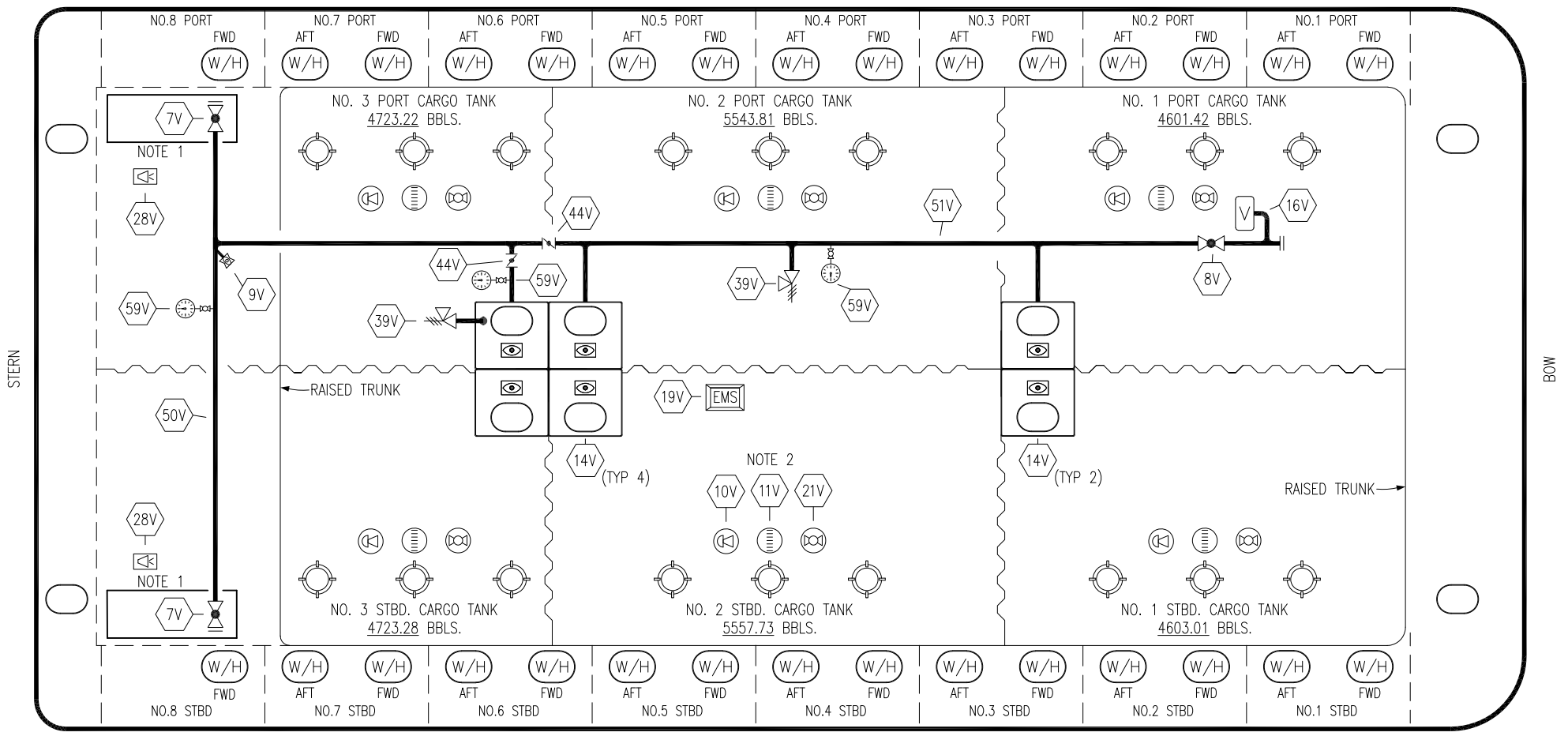
**CARGO**

**PIPING FLOW DIAGRAM**


**KIRBY 29047**

SCALE: NONE	REV. 1
PAGE: 1 OF 3	

PORT




STARBOARD

- |           |                            |   |  |
|-----------|----------------------------|---|--|
| <b>NO</b> | <b>DESCRIPTION</b>         | <b>NO</b>   | <b>DESCRIPTION</b>                         |
| 7V        | HEADER VALVE               | 39V   | PRESSURE/VACUUM RELIEF VALVE               |
| 8V        | VENT STACK VALVE           | 44V   | BUTTERFLY VAPOR CARGO TANK ISOLATION VALVE |
| 9V        | DRAIN VALVE                | 50V   | VAPOR HEADER                               |
| 10V       | HIGH LEVEL/OVERFILL ALARM  | 51V   | VAPOR PIPELINE                             |
| 11V       | 1-METER GAUGE STICK        | 59V   | PRESS/VAC GAUGE                            |
| 14V       | SIGHT GLASS                |  | ABOVE DECK PIPING                          |
| 16V       | VAPOR VENT STACK           |   |  |
| 19V       | EMERGENCY ENGINE SHUT DOWN |   |  |
| 21V       | HERMETIC GAUGE             |   |  |
| 28V       | DOCK CONNECTION ALARM      |   |  |

NOTE 2: TYPICAL RIGGING IN EACH TANK  
 NOTE 1: CONTAINMENT P/S

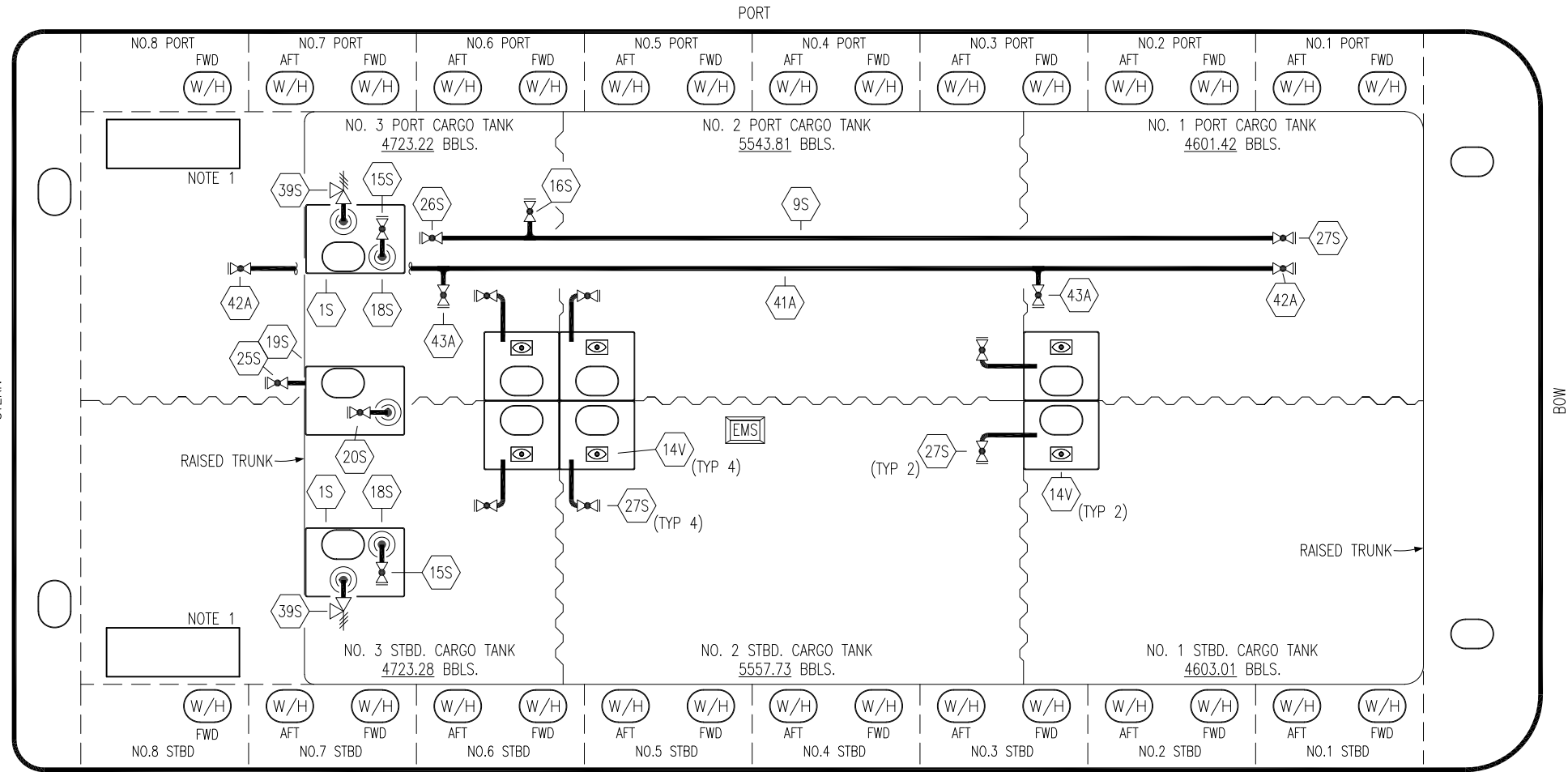
EX: CTCO 345

REV.	DATE	BY	CHK	APP	REVISION DESCRIPTION
1	08/25/21	MRV	DDA	CW	REVISED PER CLIENT COMMENTS
0	02/18/19	MRV	DDA		ISSUED FOR APPROVAL

KIRBY INLAND MARINE 

VAPOR  
PIPING FLOW DIAGRAM

SCALE: NONE	KIRBY 29047
PAGE: 2 OF 3	1



NO	DESCRIPTION	NO	DESCRIPTION
1S	SLOP TANK	36C	PRESSURE GAUGE
2S	CARGO SUMP SUCTION VALVE	39S	P/V VALVE
9S	STRIPPING LINE	—	— ABOVE DECK PIPING
14V	SIGHT GLASS	—	— BELOW DECK PIPING
15S	DISCHARGE VALVE	41A	AIR LINE
16S	REMOTE SUCTION CONNECTION	42A	AIRLINE BLOCK VALVE
18S	TYP. STRIPPING PENETRATION	43A	REMOTE AIRLINE CONNECTION
19S	FUEL TANK		
20S	FUEL TANK FILL VALVE		
25S	FUEL TANK DRAIN VALVE		
26S	STRIPPING HEADER BLOCK VALVE		
27S	SUMP SUCTION VALVE		

STARBOARD

EX: CTCO 345

						<b>KIRBY INLAND MARINE</b>	
						<b>STRIPPING PIPING FLOW DIAGRAM</b>	
0	08/25/21	MRV	DDA	CW	ISSUED FOR APPROVAL	SCALE: NONE	<b>KIRBY 29047</b>
REV.	DATE	BY	CHK	APP	REVISION DESCRIPTION	PAGE: 3 OF 3	

REV  
**0**