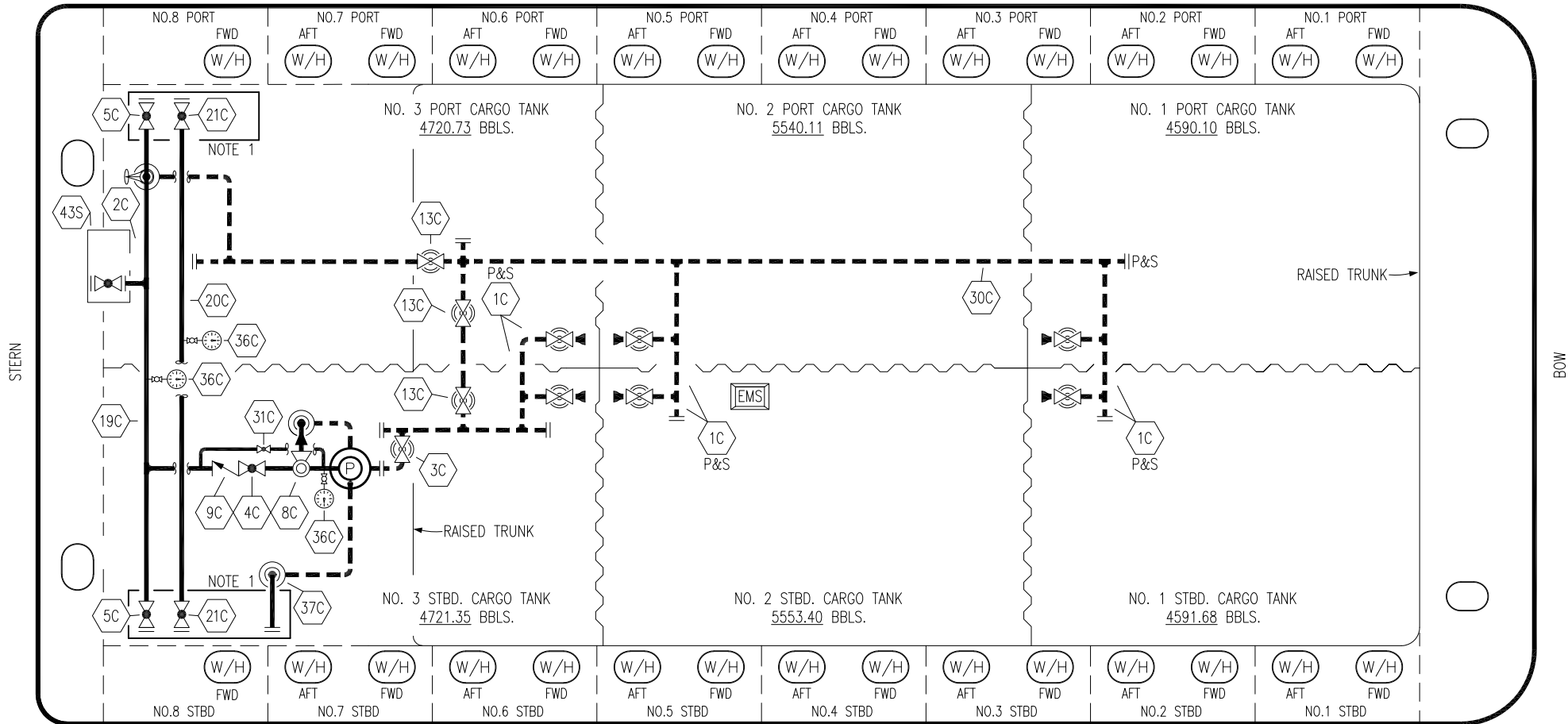


PORT



STARBOARD

NO	DESCRIPTION	NO	DESCRIPTION
1C	CARGO TANK VALVE	20C	DUMMY HEADER PIPING
2C	LOAD VALVE	21C	DUMMY HEADER VALVE
3C	MASTER SUCTION VALVE	30C	CARGO PIPELINE
4C	DISCHARGE VALVE	37C	CARGO DROP
5C	HEADER VALVE	43S	STERN HEADER VALVE
8C	RELIEF VALVE	—	— ABOVE DECK PIPING
9C	CHECK VALVE	---	--- BELOW DECK PIPING
13C	CARGO PIPING BLOCK VALVE		
19C	CARGO HEADER		

NOTE 1: CONTAINMENT P/S

EX: CTCO 344

1	08/25/21	MRV	DDA	CW	REVISED PER CLIENT COMMENTS
0	02/18/19	MRV	DDA		ISSUED FOR APPROVAL
REV.	DATE	BY	CHK	APP	REVISION DESCRIPTION

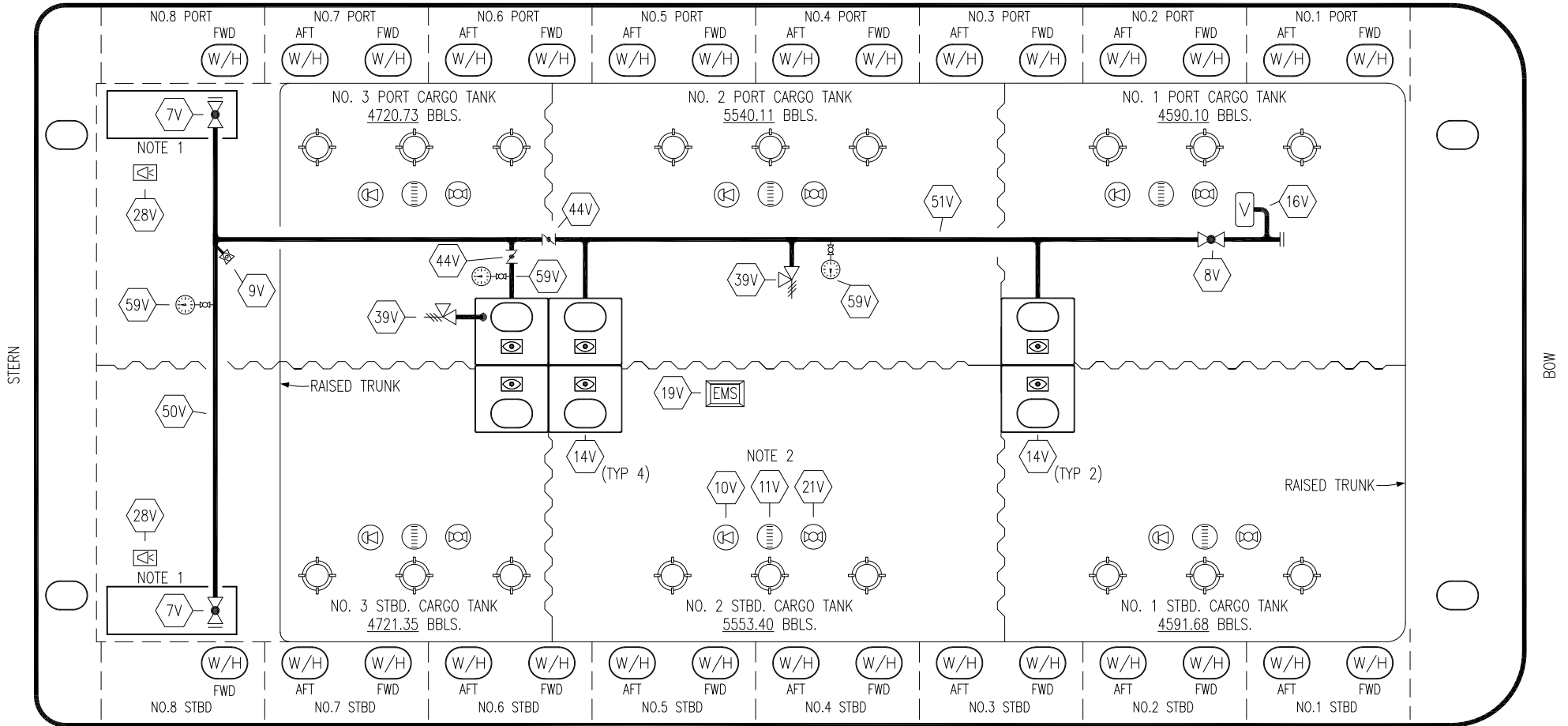
KIRBY INLAND MARINE 

**CARGO
PIPING FLOW DIAGRAM**

SCALE: NONE
PAGE: 1 OF 3

KIRBY 29046 REV. **1**

PORT



STERN

BOW

STARBOARD

- | | | | |
|-----|----------------------------|-----|--|
| NO | DESCRIPTION | NO | DESCRIPTION |
| 7V | HEADER VALVE | 39V | PRESSURE/VACUUM RELIEF VALVE |
| 8V | VENT STACK VALVE | 44V | BUTTERFLY VAPOR CARGO TANK ISOLATION VALVE |
| 9V | DRAIN VALVE | 50V | VAPOR HEADER |
| 10V | HIGH LEVEL/OVERFILL ALARM | 51V | VAPOR PIPELINE |
| 11V | 1-METER GAUGE STICK | 59V | PRESS/VAC GAUGE |
| 14V | SIGHT GLASS | | ABOVE DECK PIPING |
| 16V | VAPOR VENT STACK | | |
| 19V | EMERGENCY ENGINE SHUT DOWN | | |
| 21V | HERMETIC GAUGE | | |
| 28V | DOCK CONNECTION ALARM | | |

NOTE 2: TYPICAL RIGGING IN EACH TANK
NOTE 1: CONTAINMENT P/S

EX: CTCO 344

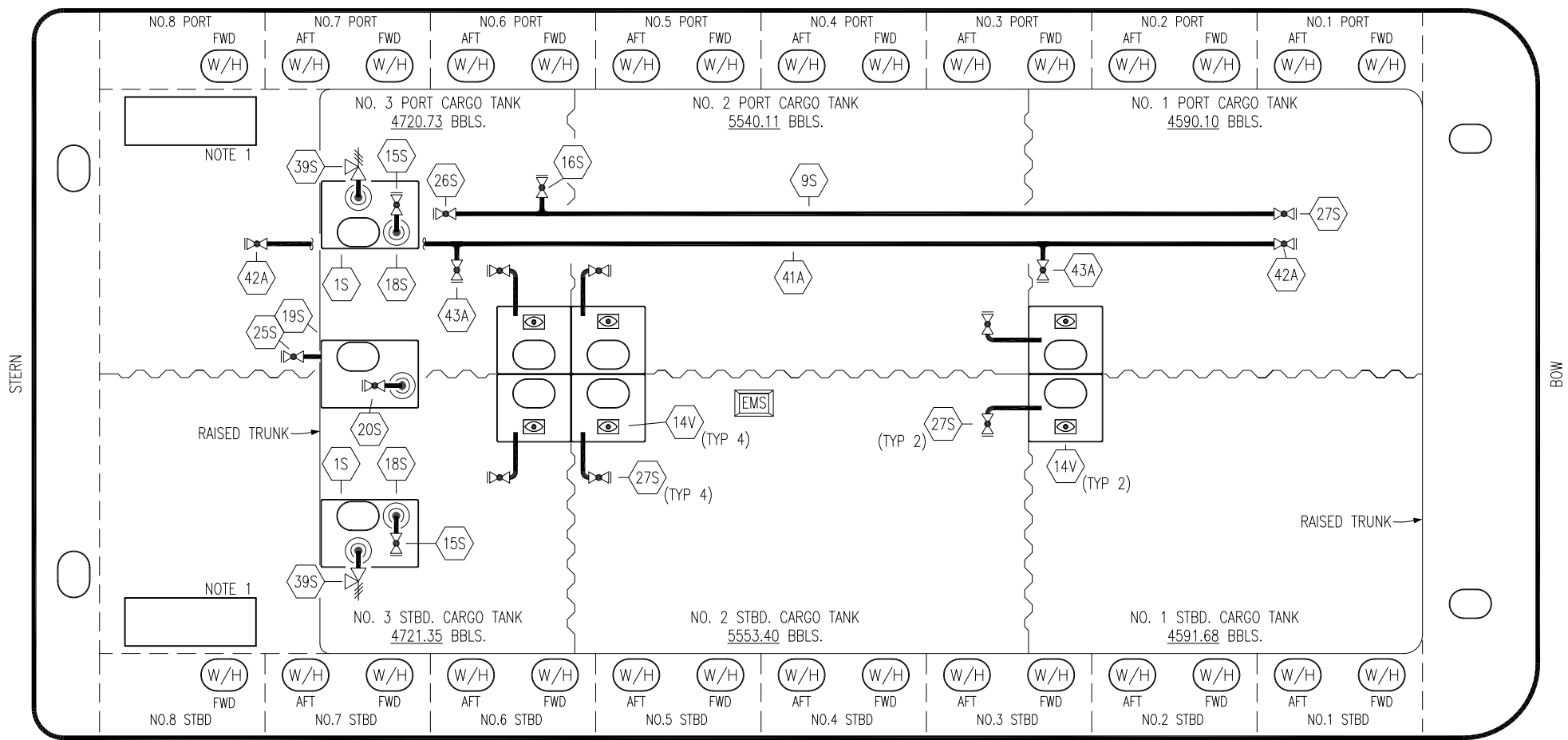
REV.	DATE	BY	CHK	APP	REVISION DESCRIPTION
1	08/25/21	MRV	DDA	CW	REVISED PER CLIENT COMMENTS
0	02/18/19	MRV	DDA		ISSUED FOR APPROVAL

KIRBY INLAND MARINE

VAPOR
PIPING FLOW DIAGRAM

SCALE: NONE	KIRBY 29046
PAGE: 2 OF 3	REV. 1

PORT



STARBOARD

NO	DESCRIPTION	NO	DESCRIPTION
1S	SLOP TANK	26S	STRIPPING HEADER BLOCK VALVE
2S	CARGO SUMP SUCTION VALVE	27S	SUMP SUCTION VALVE
9S	STRIPPING LINE	36C	PRESSURE GAUGE
14V	SIGHT GLASS	39S	P/V VALVE
15S	DISCHARGE VALVE	—	— ABOVE DECK PIPING
16S	REMOTE SUCTION CONNECTION	—	— BELOW DECK PIPING
18S	TYP. STRIPPING PENETRATION	41A	AIR LINE
19S	FUEL TANK	42A	AIRLINE BLOCK VALVE
20S	FUEL TANK FILL VALVE	43A	REMOTE AIRLINE CONNECTION
25S	FUEL TANK DRAIN VALVE		

EX: CTCO 344

0	08/25/21	MRV	DDA	CW	ISSUED FOR APPROVAL
REV.	DATE	BY	CHK	APP	REVISION DESCRIPTION

KIRBY INLAND MARINE

STRIPPING
PIPING FLOW DIAGRAM

KIRBY 29046

REV 0

SCALE: NONE
PAGE: 3 OF 3