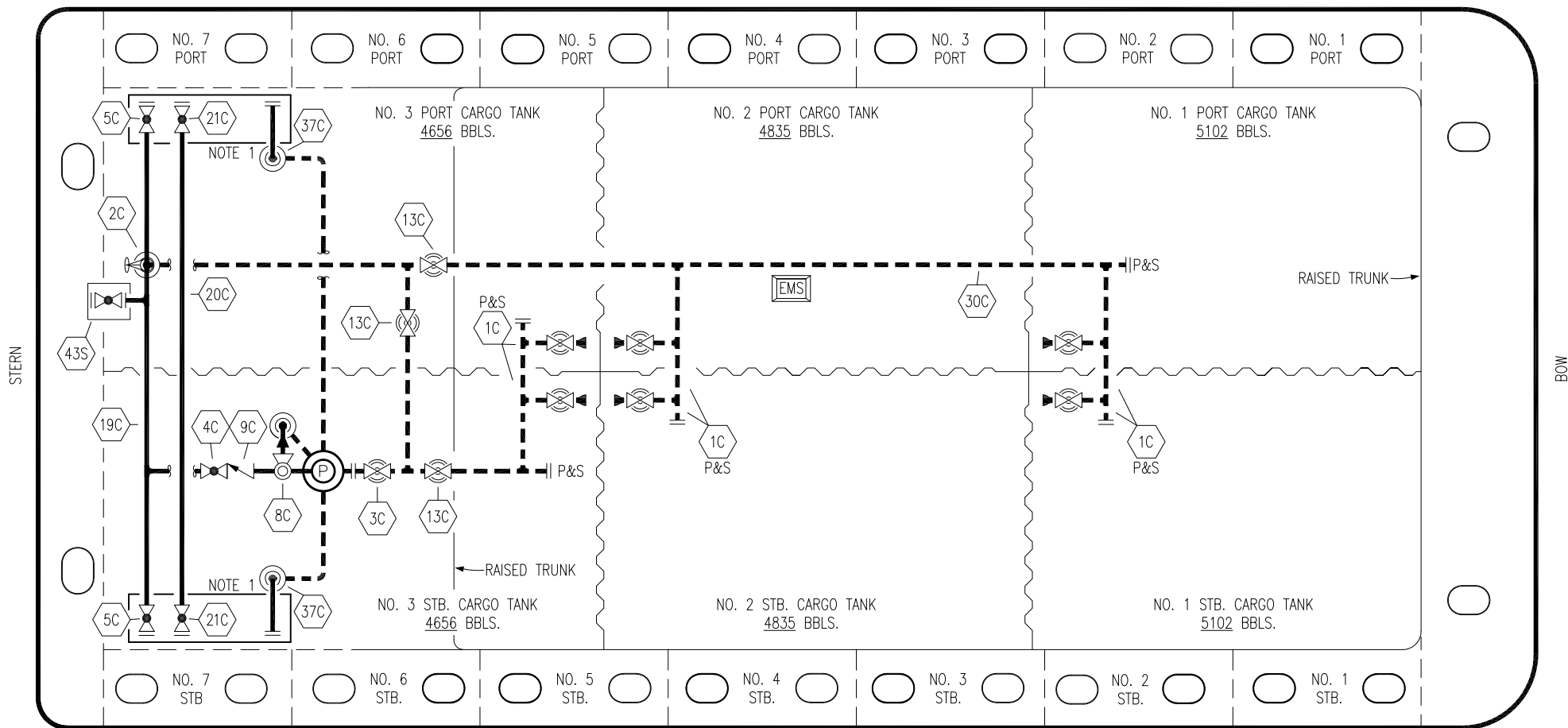


PORT



STARBOARD

- | | | | |
|-----|--------------------------|-----|---------------------|
| NO | DESCRIPTION | NO | DESCRIPTION |
| 1C | CARGO TANK VALVE | 20C | DUMMY HEADER PIPING |
| 2C | LOAD VALVE | 21C | DUMMY HEADER VALVE |
| 3C | MASTER SUCTION VALVE | 30C | CARGO PIPELINE |
| 4C | DISCHARGE VALVE | 37C | CARGO DROP |
| 5C | HEADER VALVE | 43S | STERN HEADER VALVE |
| 8C | RELIEF VALVE | | ABOVE DECK PIPING |
| 9C | CHECK VALVE | | BELOW DECK PIPING |
| 13C | CARGO PIPING BLOCK VALVE | | |
| 19C | CARGO HEADER | | |

NOTE 1: CONTAINMENT P/S

1	06/14/19	NRB	DDA		REVISED BARGE NAME
0	02/15/19	MRV	DDA		ISSUED FOR APPROVAL
REV.	DATE	BY	CHK	APP	REVISION DESCRIPTION

TRINITY

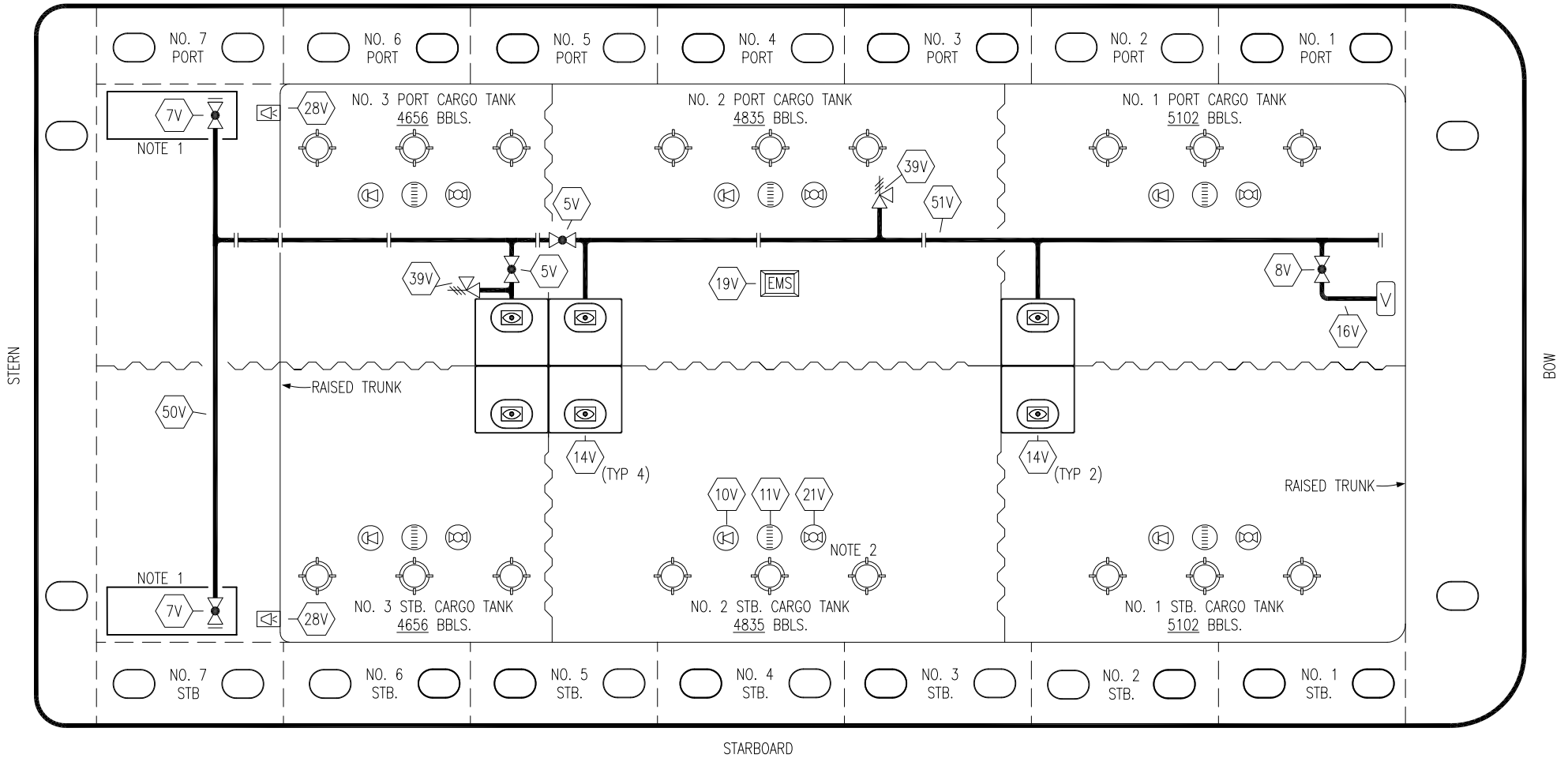
KIRBY INLAND MARINE

CARGO

PIPING FLOW DIAGRAM

KIRBY 29045	REV. 1
SCALE: NONE	PAGE: 1 OF 2

PORT



STERN

BOW

STARBOARD

- | | | | |
|-----|---------------------------|----------|------------------------------|
| NO | DESCRIPTION | NO | DESCRIPTION |
| 5V | BLOCK VALVE | 19V | EMERGENCY ENGINE SHUT DOWN |
| 7V | HEADER VALVE | 21V | HERMETIC GAUGE |
| 8V | VENT STACK VALVE | 28V | DOCK CONNECTION ALARM |
| 10V | HIGH LEVEL/OVERFILL ALARM | 39V | PRESSURE/VACUUM RELIEF VALVE |
| 11V | 1-METER GAUGE STICK | 50V | VAPOR HEADER |
| 14V | SIGHT GLASS | 51V | VAPOR PIPELINE |
| 16V | VAPOR VENT STACK | — | ABOVE DECK PIPING |

NOTE 2: TYPICAL RIGGING IN EACH TANK
NOTE 1: CONTAINMENT P/S

TRINITY

1	06/14/19	NRB	DDA		REVISED BARGE NAME
0	02/15/19	MRV	DDA		ISSUED FOR APPROVAL
REV.	DATE	BY	CHK	APP	REVISION DESCRIPTION

KIRBY INLAND MARINE

VAPOR

PIPING FLOW DIAGRAM

SCALE: NONE	KIRBY 29045
PAGE: 2 OF 2	REV. 1