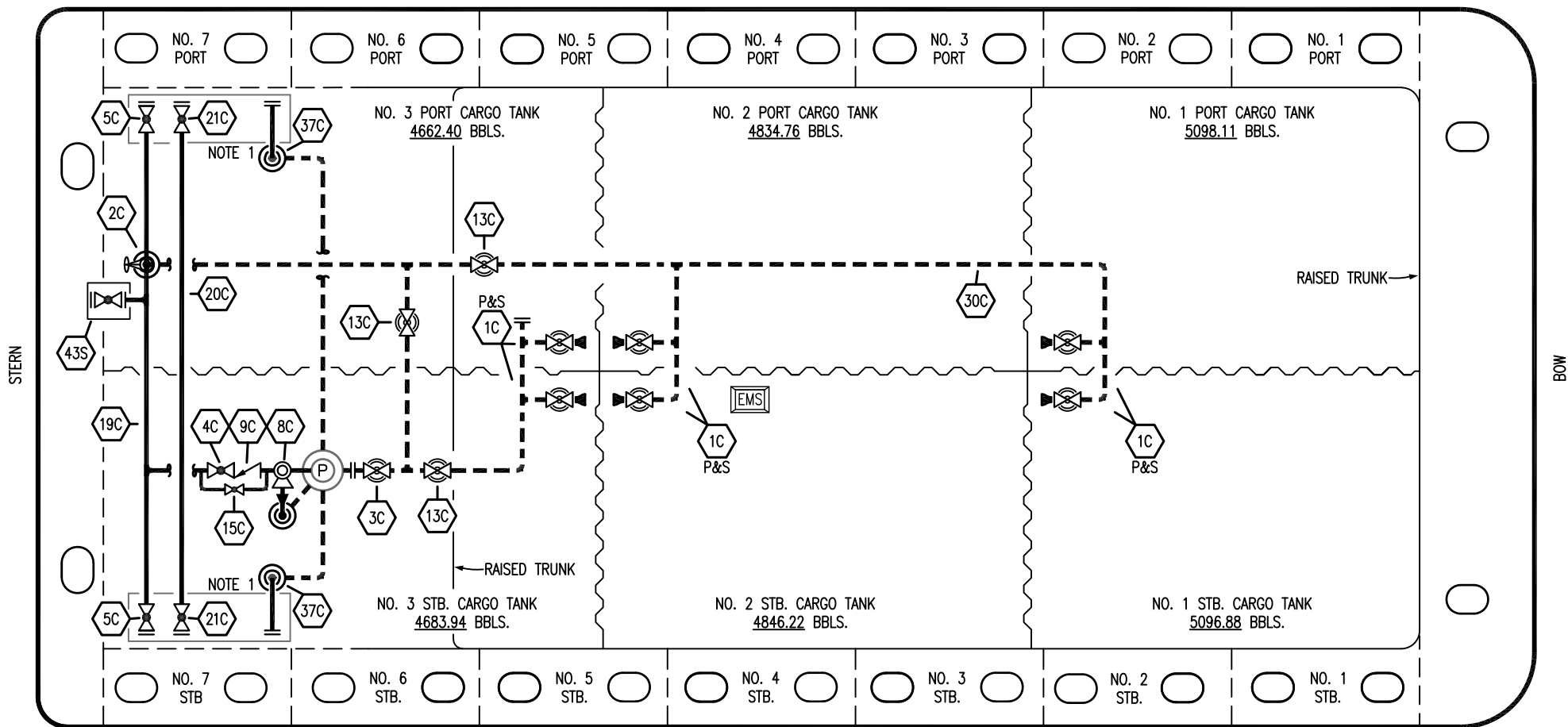


PORT



STARBOARD

NO	DESCRIPTION	NO	DESCRIPTION
1C	CARGO TANK VALVE	20C	DUMMY HEADER PIPING
2C	LOAD VALVE	21C	DUMMY HEADER VALVE
3C	MASTER SUCTION VALVE	30C	CARGO PIPELINE
4C	DISCHARGE VALVE	37C	CARGO DROP
5C	HEADER VALVE	43S	STERN HEADER VALVE
8C	RELIEF VALVE	—	— ABOVE DECK PIPING
9C	CHECK VALVE	---	--- BELOW DECK PIPING
13C	CARGO PIPING BLOCK VALVE		
15C	BYPASS VALVE AROUND CHECK		
19C	CARGO HEADER		

NOTE 1: CONTAINMENT P/S

REV.	DATE	BY	CHK	APP	REVISION DESCRIPTION
2	05/15/24	AC	DDA	DL	REVISED PER CLIENT COMMENTS
1	06/11/19	NRB	DDA		REVISED PER CLIENT COMMENTS
0	02/15/19	MRV	DDA		ISSUED FOR APPROVAL

TRINITY

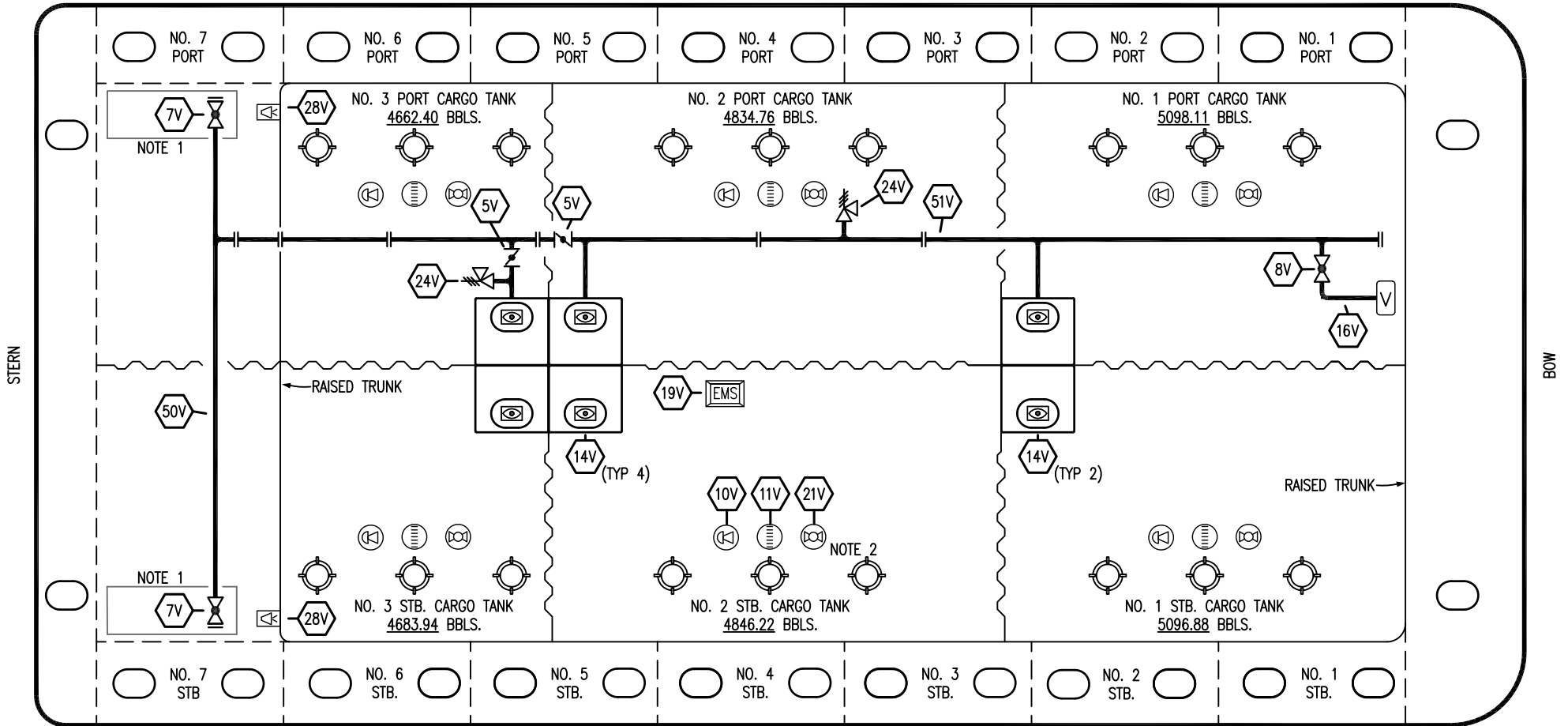
KIRBY INLAND MARINE

CARGO

PIPING FLOW DIAGRAM

KIRBY 29044	REV. 2
SCALE: NONE	PAGE: 1 OF 3

PORT



STARBOARD

- | | | | |
|-----|---------------------------|-----|----------------------------|
| NO | DESCRIPTION | NO | DESCRIPTION |
| 5V | BLOCK VALVE | 19V | EMERGENCY ENGINE SHUT DOWN |
| 7V | HEADER VALVE | 21V | HERMETIC GAUGE |
| 8V | VENT STACK VALVE | 24V | PRESSURE RELIEF VALVE |
| 10V | HIGH LEVEL/OVERFILL ALARM | 28V | DOCK CONNECTION ALARM |
| 11V | 1-METER GAUGE STICK | 50V | VAPOR HEADER |
| 14V | SIGHT GLASS | 51V | VAPOR PIPELINE |
| 16V | VAPOR VENT STACK | — | ABOVE DECK PIPING |

NOTE 2: TYPICAL RIGGING IN EACH TANK
 NOTE 1: CONTAINMENT P/S

REV.	DATE	BY	CHK	APP	REVISION DESCRIPTION
2	05/15/24	AC	DDA	DL	REVISED PER CLIENT COMMENTS
1	06/11/19	NRB	DDA		REVISED PER CLIENT COMMENTS
0	02/15/19	MRV	DDA		ISSUED FOR APPROVAL

KIRBY INLAND MARINE 

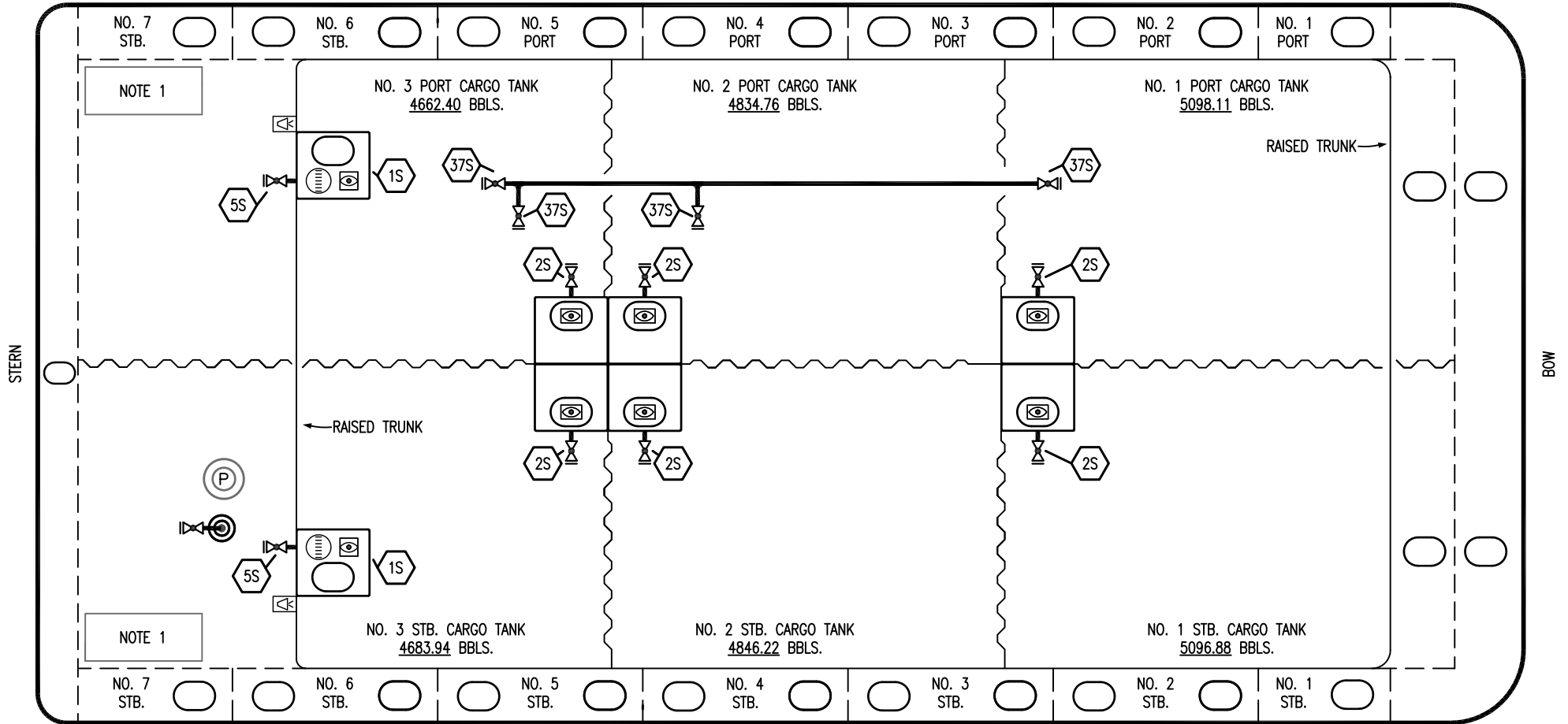
**VAPOR
 PIPING FLOW DIAGRAM**

SCALE: NONE
 PAGE: 2 OF 3

KIRBY 29044 REV. **2**

TRINITY

PORT



- | | |
|-----|--------------------------|
| NO | DESCRIPTION |
| 1S | SLOP TANK |
| 2S | CARGO SUMP SUCTION VALVE |
| 5S | SLOP TANK SUCTION VALVE |
| 18S | STRIPPING DROP |
| 37S | BLOCK VALVE |
| | ABOVE DECK PIPING |

NOTE 1: CONTAINMENT P/S

TRINITY

1	05/15/24	AC	DDA	DL	REVISED PER CLIENT COMMENTS
0	06/11/19	NRB	DDA		ISSUED FOR APPROVAL
REV.	DATE	BY	CHK	APP	REVISION DESCRIPTION

KIRBY INLAND MARINE	
STRIPPING PIPING FLOW DIAGRAM	
SCALE: NONE	KIRBY 29044
PAGE: 3 OF 3	REV. 1