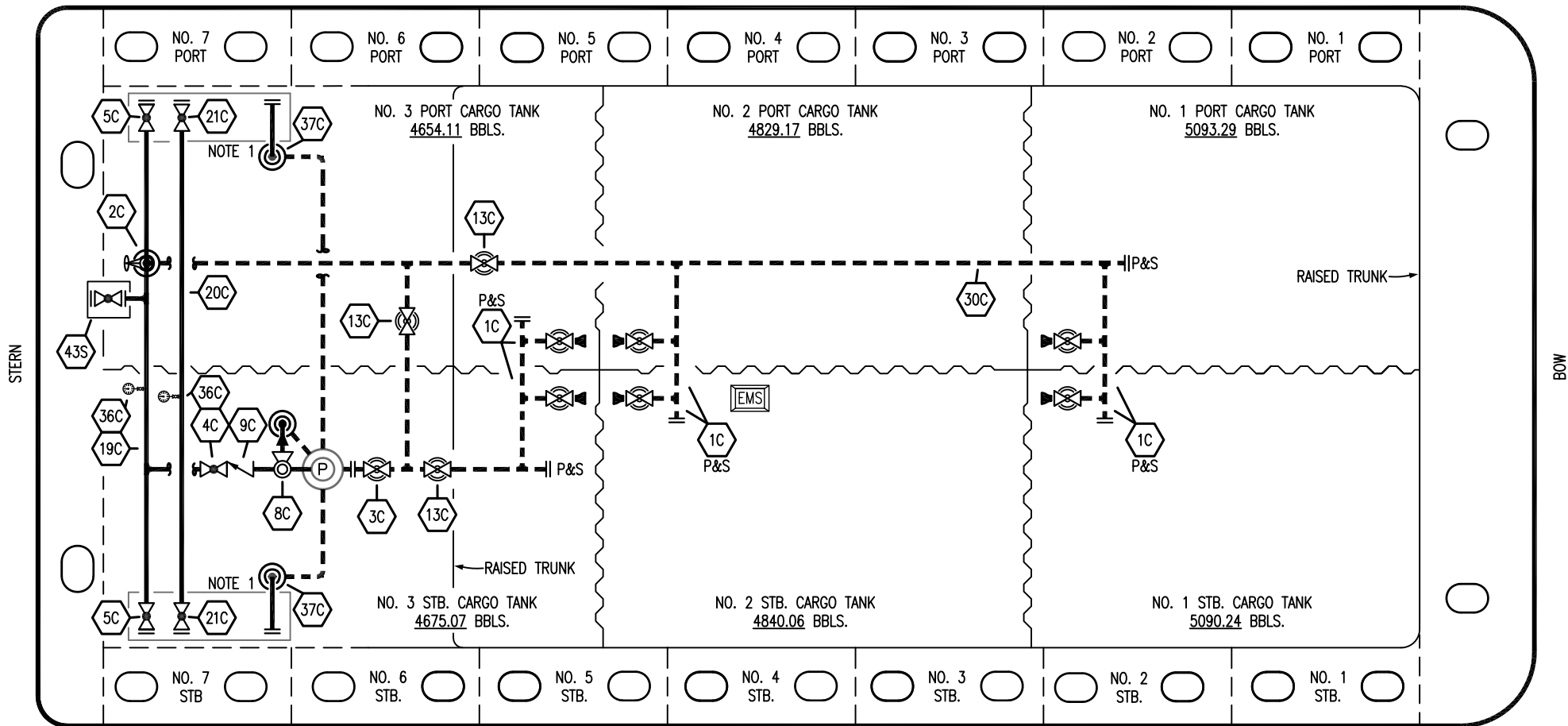


PORT



STARBOARD

NO	DESCRIPTION	NO	DESCRIPTION
1C	CARGO TANK VALVE	20C	DUMMY HEADER PIPING
2C	LOAD VALVE	21C	DUMMY HEADER VALVE
3C	MASTER SUCTION VALVE	30C	CARGO PIPELINE
4C	DISCHARGE VALVE	36C	PRESSURE GAUGE
5C	HEADER VALVE	37C	CARGO DROP
8C	RELIEF VALVE	43S	STERN HEADER VALVE
9C	CHECK VALVE	—	— ABOVE DECK PIPING
13C	CARGO PIPING BLOCK VALVE	- - -	BELOW DECK PIPING
19C	CARGO HEADER		

NOTE 1: CONTAINMENT P/S

REV.	DATE	BY	CHK	APP	REVISION DESCRIPTION
2	06/02/24	AC	DDA	BA	REVISED PER CLIENT COMMENTS
1	06/11/19	NRB	DDA		REVISED PER CLIENT COMMENTS
0	02/15/19	MRV	DDA		ISSUED FOR APPROVAL

TRINITY

**KIRBY INLAND MARINE**

**CARGO**

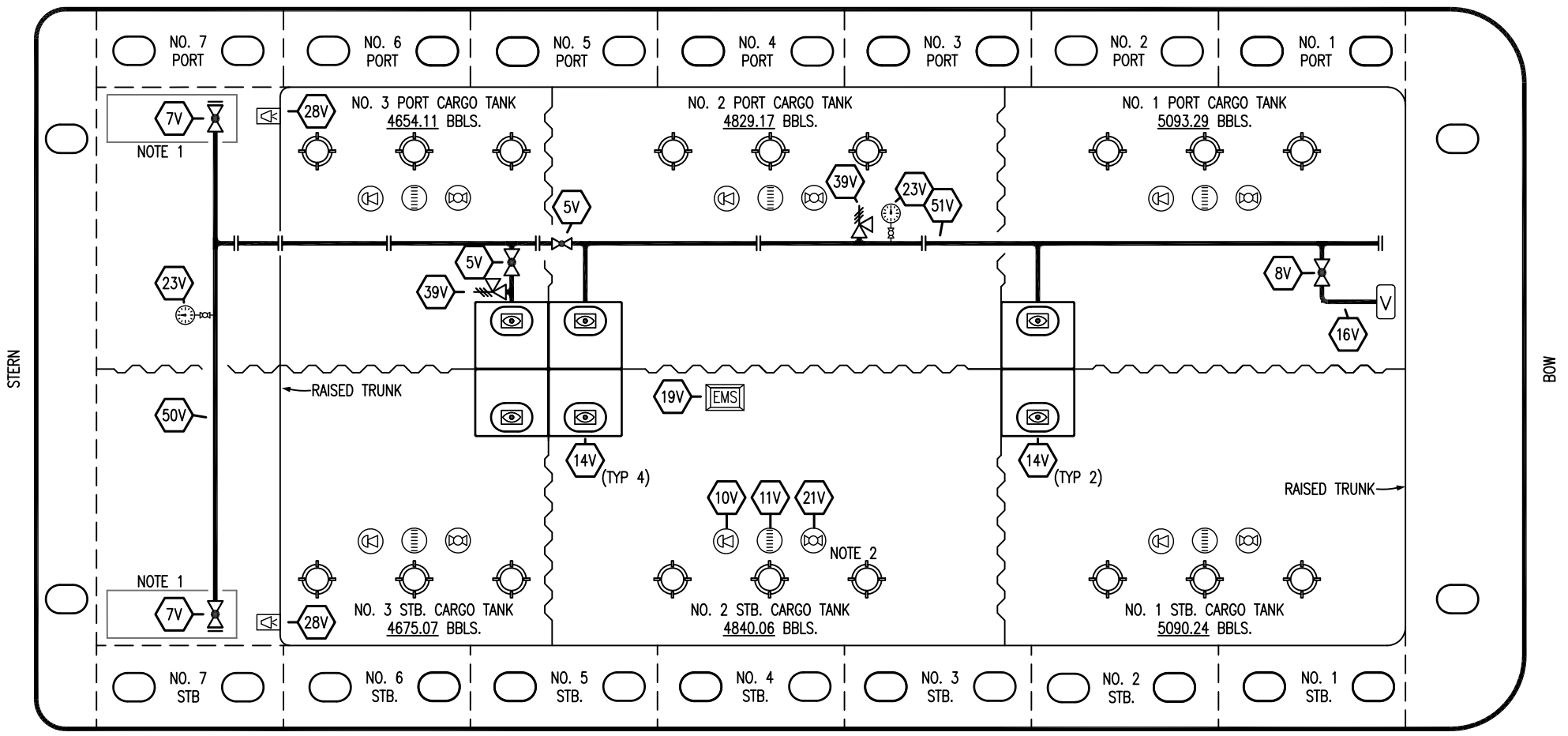
**PIPING FLOW DIAGRAM**

**KIRBY 29043**

SCALE: NONE  
PAGE: 1 OF 3

**REV. 2**

PORT



STARBOARD

- |     |                           |     |                            |
|-----|---------------------------|-----|----------------------------|
| NO  | DESCRIPTION               | NO  | DESCRIPTION                |
| 5V  | BLOCK VALVE               | 19V | EMERGENCY ENGINE SHUT DOWN |
| 7V  | HEADER VALVE              | 21V | HERMETIC GAUGE             |
| 8V  | VENT STACK VALVE          | 23V | PRESSURE GAUGE             |
| 10V | HIGH LEVEL/OVERFILL ALARM | 28V | DOCK CONNECTION ALARM      |
| 11V | 1-METER GAUGE STICK       | 39V | PRESSURE/VACUUM VALVE      |
| 14V | SIGHT GLASS               | 50V | VAPOR HEADER               |
| 16V | VAPOR VENT STACK          | 51V | VAPOR PIPELINE             |
|     |                           | —   | ABOVE DECK PIPING          |

NOTE 2: TYPICAL RIGGING IN EACH TANK  
 NOTE 1: CONTAINMENT P/S

REV.	DATE	BY	CHK	APP	REVISION DESCRIPTION
2	06/02/24	AC	DDA	BA	REVISED PER CLIENT COMMENTS
1	06/11/19	NRB	DDA		REVISED PER CLIENT COMMENTS
0	02/15/19	MRV	DDA		ISSUED FOR APPROVAL

TRINITY

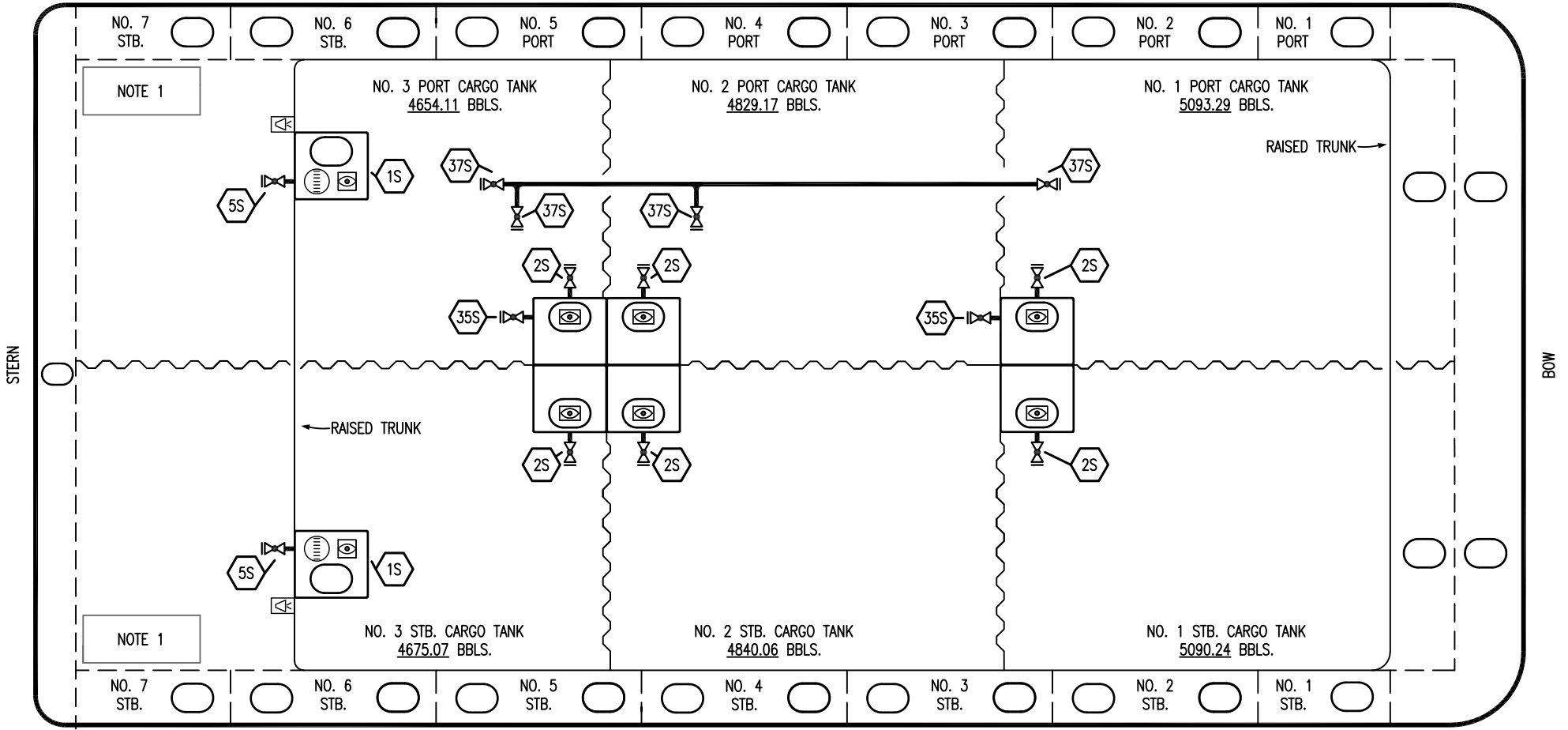
KIRBY INLAND MARINE

VAPOR  
PIPING FLOW DIAGRAM

KIRBY 29043

SCALE: NONE	2
PAGE: 2 OF 3	

PORT



- NO DESCRIPTION
- 1S SLOP TANK
- 2S CARGO SUMP SUCTION VALVE
- 5S SLOP TANK SUCTION VALVE
- 18S STRIPPING DROP
- 35S CARGO PIPELINE STRIPPING
- 37S BLOCK VALVE
- ABOVE DECK PIPING

NOTE 1: CONTAINMENT P/S

TRINITY

REV.	DATE	BY	CHK	APP	REVISION DESCRIPTION
1	06/02/2024	AC	DDA	BA	REVISED PER CLIENT COMMENTS
0	06/11/19	NRB	DDA		ISSUED FOR APPROVAL

**KIRBY INLAND MARINE**

**STRIPPING  
PIPING FLOW DIAGRAM**

SCALE: NONE  
PAGE: 3 OF 3

**KIRBY 29043** REV. **1**