




NO	DESCRIPTION	NO	DESCRIPTION
1C	CARGO SUCTION VALVE	26C	PUMP WELL DRAIN VALVE
2C	LOAD VALVE	28C	HIGH SUCTION VALVE
3C	MASTER SUCTION VALVE	30C	CARGO PIPELINE
4C	DISCHARGE VALVE	37C	CARGO DROP 
5C	HEADER VALVE		ABOVE DECK PIPING
6C	SALVAGE VALVE		BELOW DECK PIPING
8C	RELIEF VALVE		
19C	CARGO HEADER		

NOTE 1: CONTAINMENT P/S

TRINITY MARINE – EX. WTC 2001–2004

REV.	DATE	BY	CHK	APP	REVISION DESCRIPTION
3	08/03/23	MRV	DDA	TL	REVISED PER CLIENT COMMENTS
2	08/27/18	WFB	DDA		REVISED PER CLIENT COMMENTS
1	02/09/18	WFB	DDA		REVISED PER CLIENT COMMENTS
0	11/16/16	WFB	DDA		ISSUED FOR APPROVAL

KIRBY INLAND MARINE 

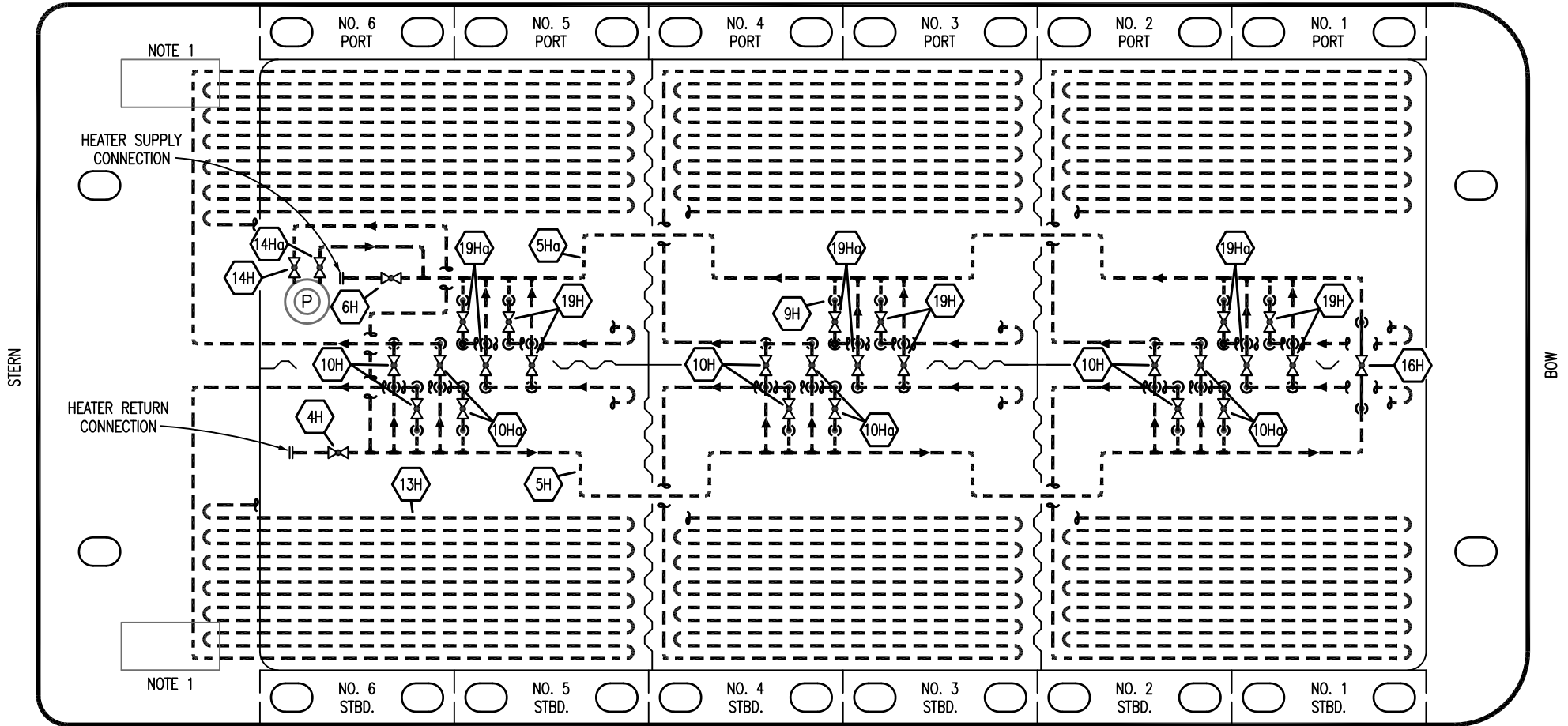
**CARGO
PIPING FLOW DIAGRAM**

SCALE: NONE
PAGE: 1 OF 3

KIRBY 28747

REV. **3**

PORT



STERN

BOW

STARBOARD

NO	DESCRIPTION	NO	DESCRIPTION
4H	RETURN MAIN VALVE	16H	SUPPLY/RETURN ISOLATION VALVE
5H	SUPPLY THERMAL HEADER	19H	UPPER COIL RETURN VALVE
5Ha	RETURN THERMAL HEADER	19Ha	LOWER COIL RETURN VALVE
6H	SUPPLY MAIN VALVE	—	— ABOVE DECK PIPING
9H	THERMAL (HEATING) DROP	- - -	BELOW DECK PIPING
10H	UPPER COIL SUPPLY VALVE		
10Ha	LOWER COIL SUPPLY VALVE		
13H	THERMAL PIPELINE		
14H	PUMP SUPPLY VALVE		
14Ha	PUMP RETURN VALVE		

TRINITY MARINE – EX. WTC 2001–2004

KIRBY INLAND MARINE 

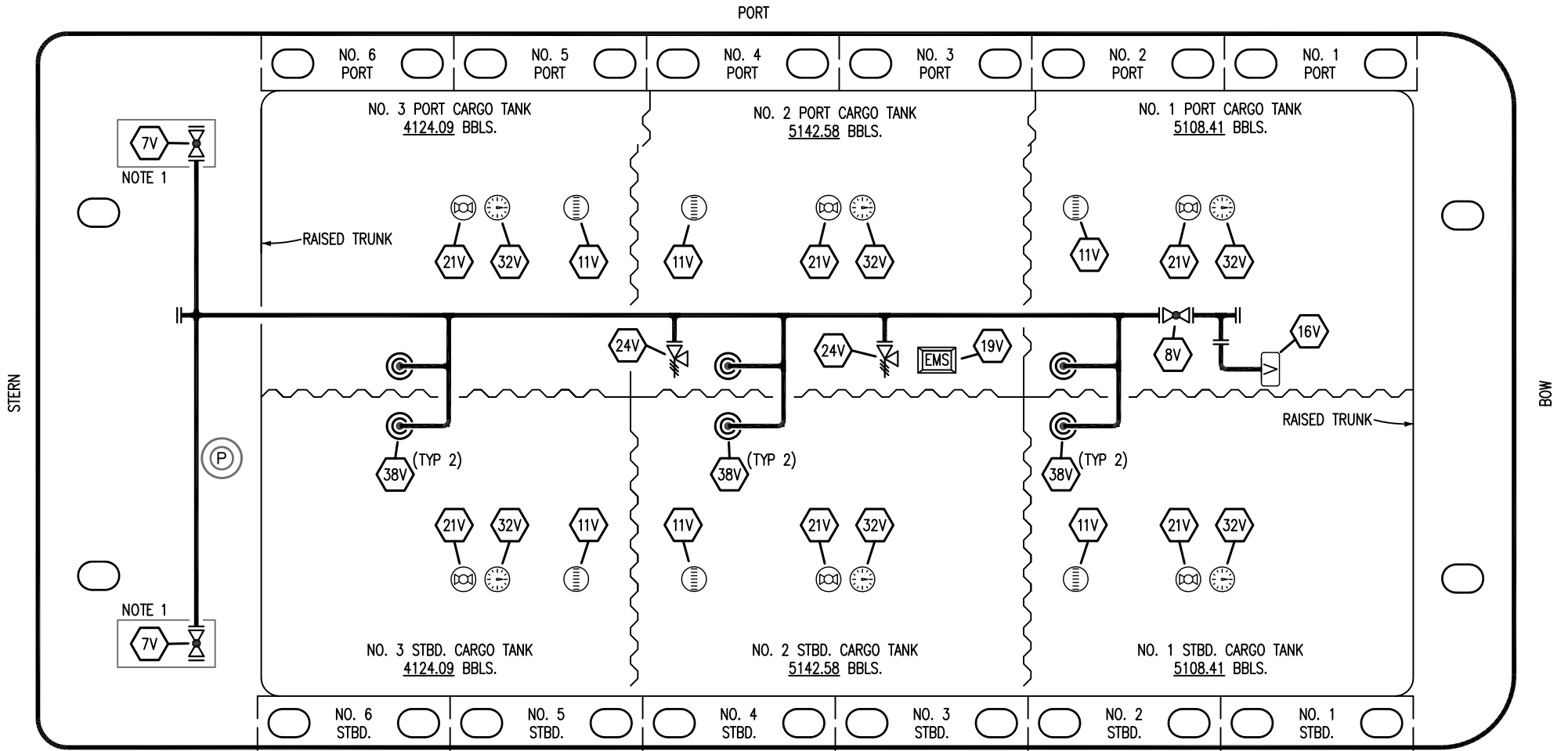
**HOT OIL
PIPING FLOW DIAGRAM**

REV.	DATE	BY	CHK	APP	REVISION DESCRIPTION
3	08/03/23	MRV	DDA	TL	REVISED PER CLIENT COMMENTS
2	08/27/18	WFB	DDA		REVISED PER CLIENT COMMENTS
1	02/09/18	WFB	DDA		REVISED PER CLIENT COMMENTS
0	11/16/16	WFB	DDA		ISSUED FOR APPROVAL

SCALE: NONE
PAGE: 2 OF 3

KIRBY 28747

REV. **3**



- | NO | DESCRIPTION |
|-----|---------------------------|
| 7V | HEADER VALVE |
| 8V | VENT STACK VALVE |
| 11V | GAUGE STICK |
| 16V | VAPOR VENT STACK |
| 19V | EMERGENCY SHUTDOWN SYSTEM |
| 21V | HERMETIC GAUGE |
| 24V | PRESSURE RELIEF VALVE |
| 32V | TEMPERATURE GAUGE |
| 38V | VAPOR DROP |
| — | ABOVE DECK PIPING |

NOTE 1: CONTAINMENT P/S

TRINITY MARINE — EX: WTC 2001-2004

REV.	DATE	BY	CHK	APP	REVISION DESCRIPTION
0	08/03/23	MRV	DDA	TL	REVISED PER CLIENT COMMENTS
A	08/28/18	WFB	DDA		ISSUED FOR APPROVAL

KIRBY INLAND MARINE 

**VAPOR
PIPING FLOW DIAGRAM**

SCALE: NONE
PAGE: 3 OF 3

KIRBY 28747

REV. **0**