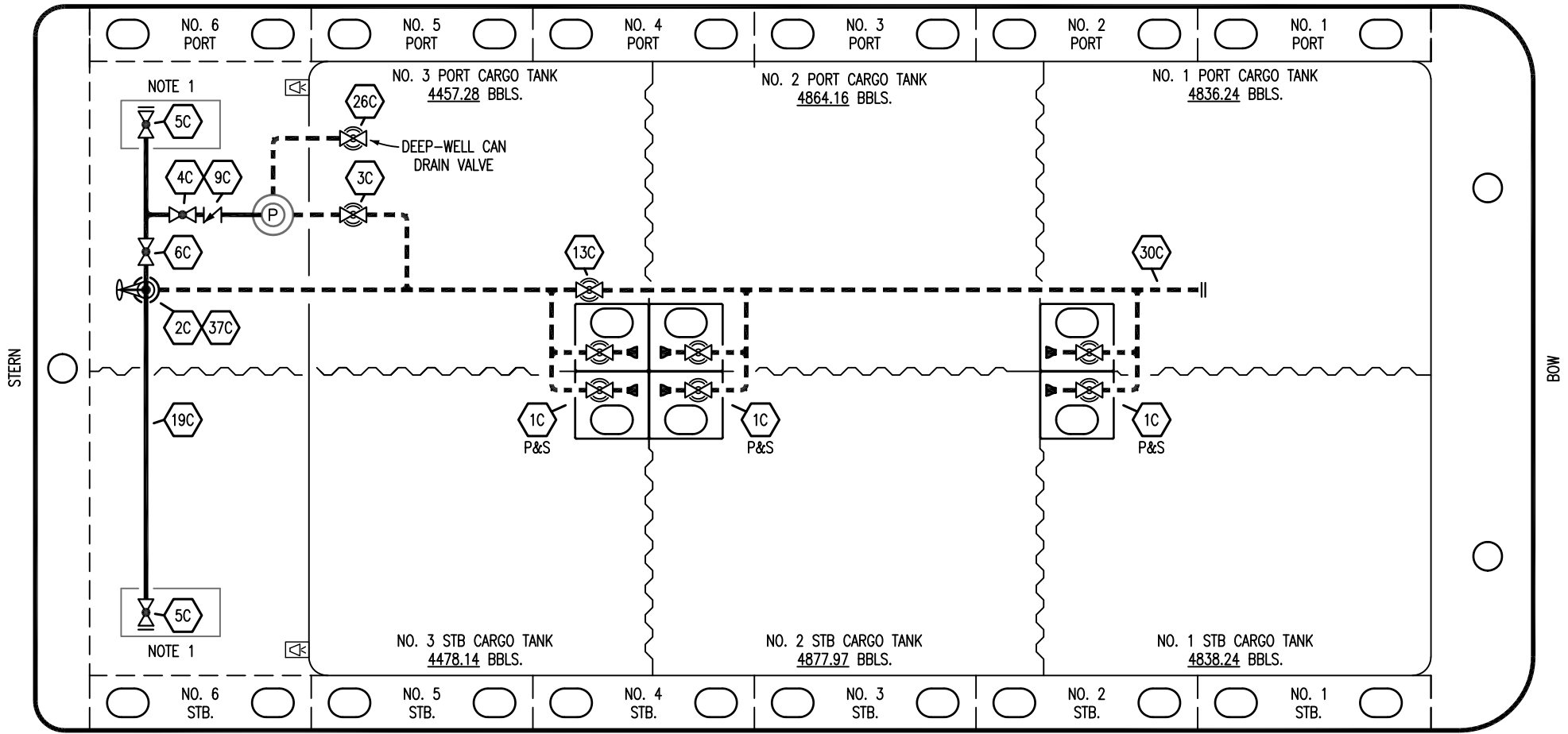



PORT



STARBOARD

- |     |                          |     |  |
|-----|--------------------------|-----|--|
| NO  | DESCRIPTION              | NO  | DESCRIPTION  |
| 1C  | CARGO TANK VALVE         | 19C | CARGO HEADER   |
| 2C  | LOAD VALVE               | 26C | DRAIN VALVE  |
| 3C  | MASTER SUCTION VALVE     | 30C | CARGO PIPELINE   |
| 4C  | DISCHARGE VALVE          | 37C | CARGO DROP  |
| 5C  | HEADER VALVE             | —   | — ABOVE DECK PIPING  |
| 6C  | SALVAGE VALVE            | --- | --- BELOW DECK PIPING  |
| 9C  | CHECK VALVE              |     |  |
| 13C | CARGO PIPING BLOCK VALVE |     |  |

NOTE 1: CONTAINMENT P/S

TRINITY MARINE

REV.	DATE	BY	CHK	APP	REVISION DESCRIPTION
3	02/28/23	MRV	DDA	DL	REVISED PER CLIENT COMMENTS
2	05/10/18	WFB	DDA		REVISED PER CLIENT COMMENTS
1	10/17/13	DCB	DDA		REVISED PIPING
0	02/01/10	RB	RB	OF	APPROVED

**KIRBY INLAND MARINE** 

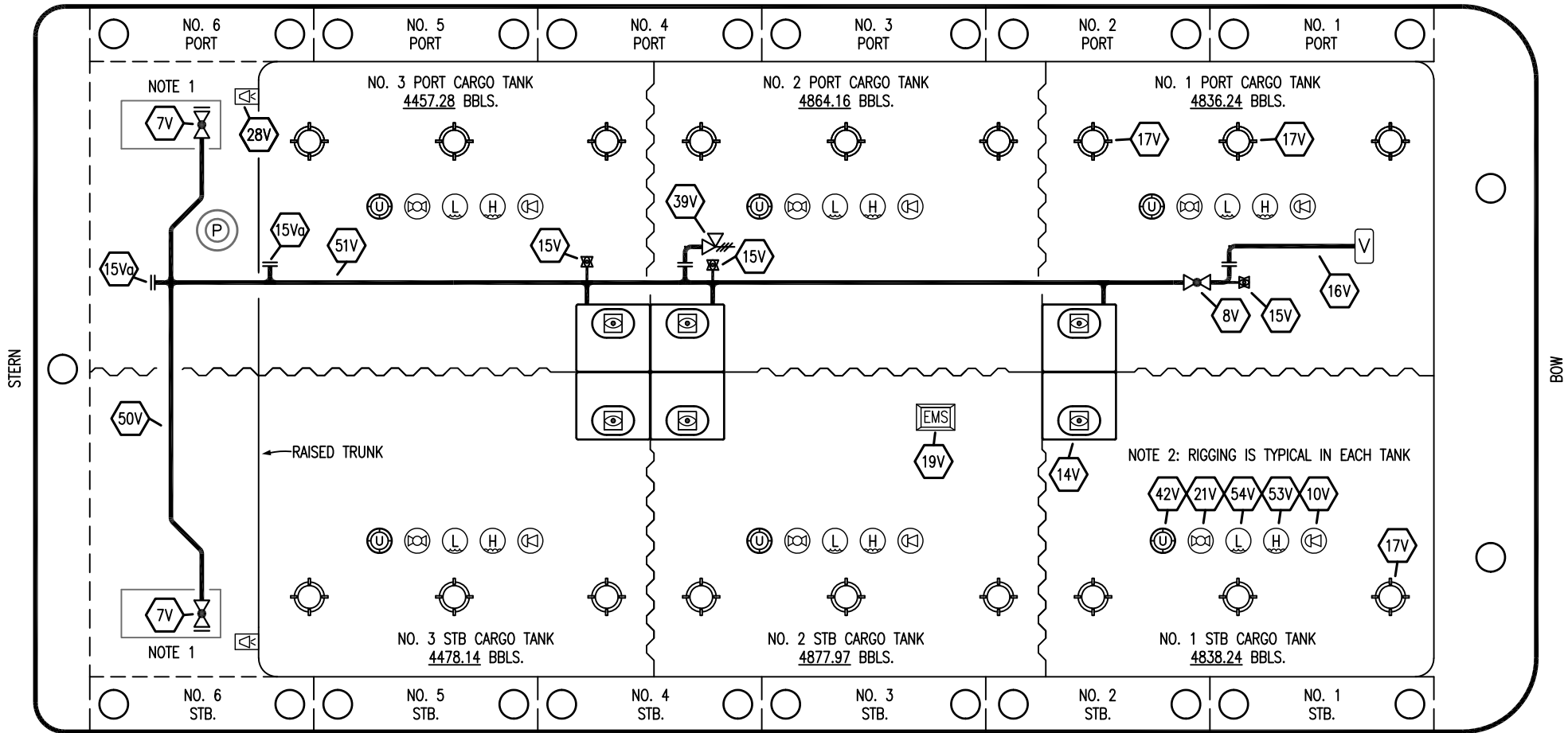
**CARGO  
PIPING DIAGRAM**

SCALE: NONE  
PAGE: 1 OF 4

**KIRBY 28724**

REV. **3**

PORT



STARBOARD

NO	DESCRIPTION	NO	DESCRIPTION
7V	8" HEADER VALVE	21V	2" HERMETIC GAUGE
8V	8" VENT STACK VALVE	28V	DOCK CONNECTION ALARM
10V	HIGH LEVEL/OVERFILL ALARM	38V	8" VAPOR DROP
14V	6" SIGHT GLASS W/GAUGE TREE	39V	8" PRESSURE/VACUUM VALVE
15V	2" INSPECTION PORT	42V	8" ULLAGE HATCH
15Vg	8" INSPECTION PORT	50V	8" VAPOR HEADER
16V	8" VAPOR VENT STACK	51V	8" VAPOR PIPELINE
17V	14" BUTTERWORTH	53V	8" HIGH LEVEL GAUGE
19V	EMERGENCY ENGINE SHUT DOWN	54V	8" LOW LEVEL GAUGE
			ABOVE DECK PIPING

NOTE 1: CONTAINMENT P/S

NOTE 2: RIGGING IS TYPICAL IN EACH TANK

TRINITY MARINE

**KIRBY INLAND MARINE** 

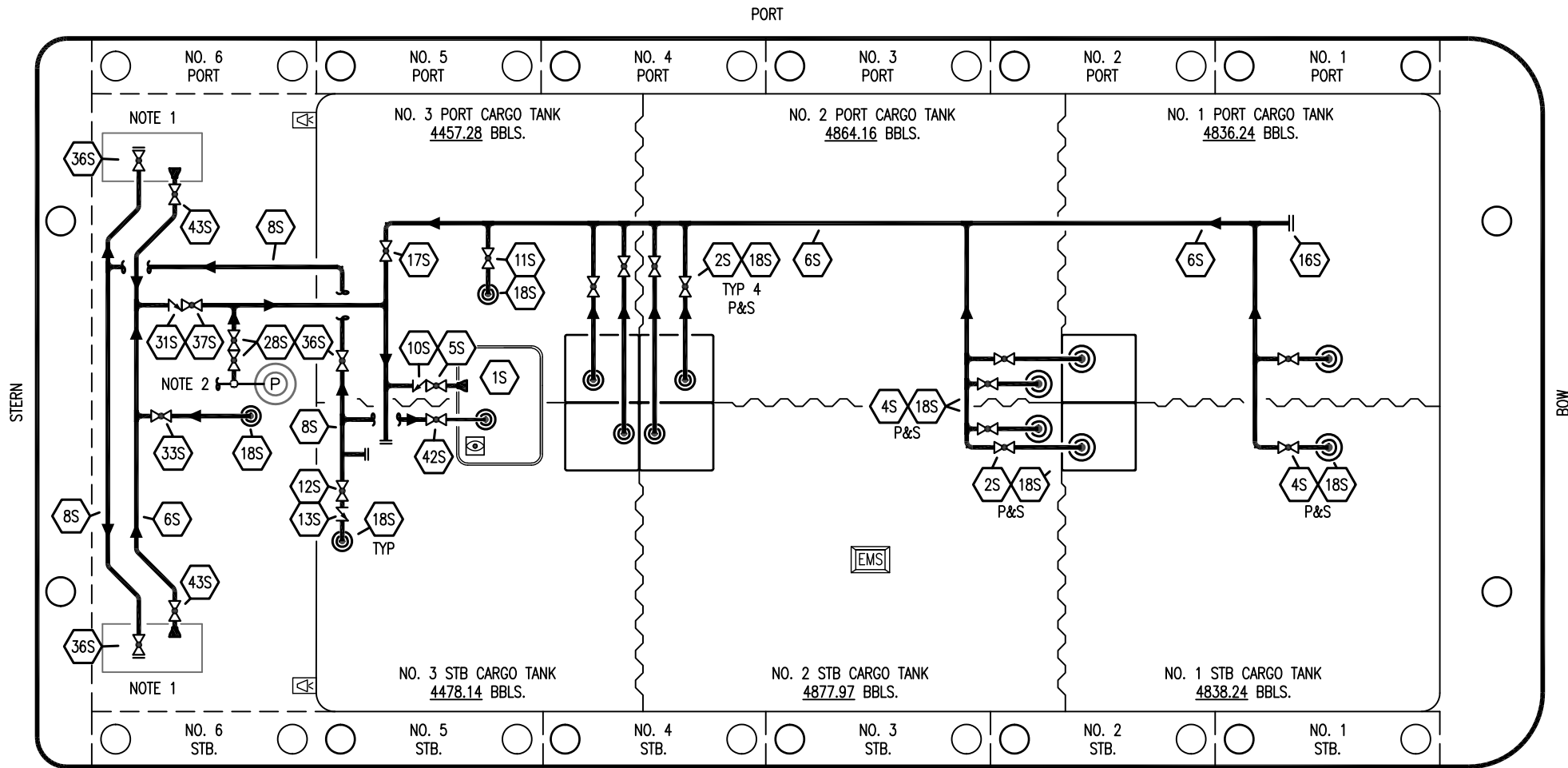
**VAPOR  
PIPING DIAGRAM**

REV.	DATE	BY	CHK	APP	REVISION DESCRIPTION
1	02/28/23	MRV	DDA	DL	REVISED PER CLIENT COMMENTS
0	02/01/10	DB	RB	OF	APPROVED

SCALE: NONE  
PAGE: 2 OF 4

**KIRBY 28724**

REV. **1**



- |           |                                    |           |                                |
|-----------|------------------------------------|-----------|--------------------------------|
| <b>NO</b> | <b>DESCRIPTION</b>                 | <b>NO</b> | <b>DESCRIPTION</b>             |
| 1S        | 3000 GAL. SLOP TANK                | 17S       | FORWARD CARGO TANK ISOLATION   |
| 2S        | CARGO SUMP SUCTION VALVE           | 18S       | STRIPPING DROP                 |
| 4S        | CARGO TANK SUCTION VALVE           | 28S       | CARGO PIPING SUCTION           |
| 5S        | SLOP TANK SUCTION VALVE            | 31S       | CHECK VALVE                    |
| 6S        | SUCTION HEADER PIPING              | 33S       | PUMP WELL SUCTION VALVE        |
| 8S        | DISCHARGE HEADER PIPING            | 36S       | STRIPPING PUMP DISCHARGE VALVE |
| 10S       | SLOP TANK CHECK VALVE              | 37S       | BLOCK VALVE                    |
| 11S       | LOWER CARGO PIPELINE SUCTION VALVE | 42S       | SLOP TANK FILL VALVE           |
| 12S       | RETURN TO CARGO TANK VALVE         | 43S       | DRIP PAN SUCTION VALVE         |
| 13S       | RETURN TO CARGO CHECK VALVE        |           |                                |
| 16S       | REMOTE SUCTION CONNECTION          |           |                                |
- ABOVE DECK PIPING

STARBOARD

NOTE 1: CONTAINMENT P/S  
 NOTE 2: CONNECTS TO CARGO PUMP DISCHARGE PIPING.

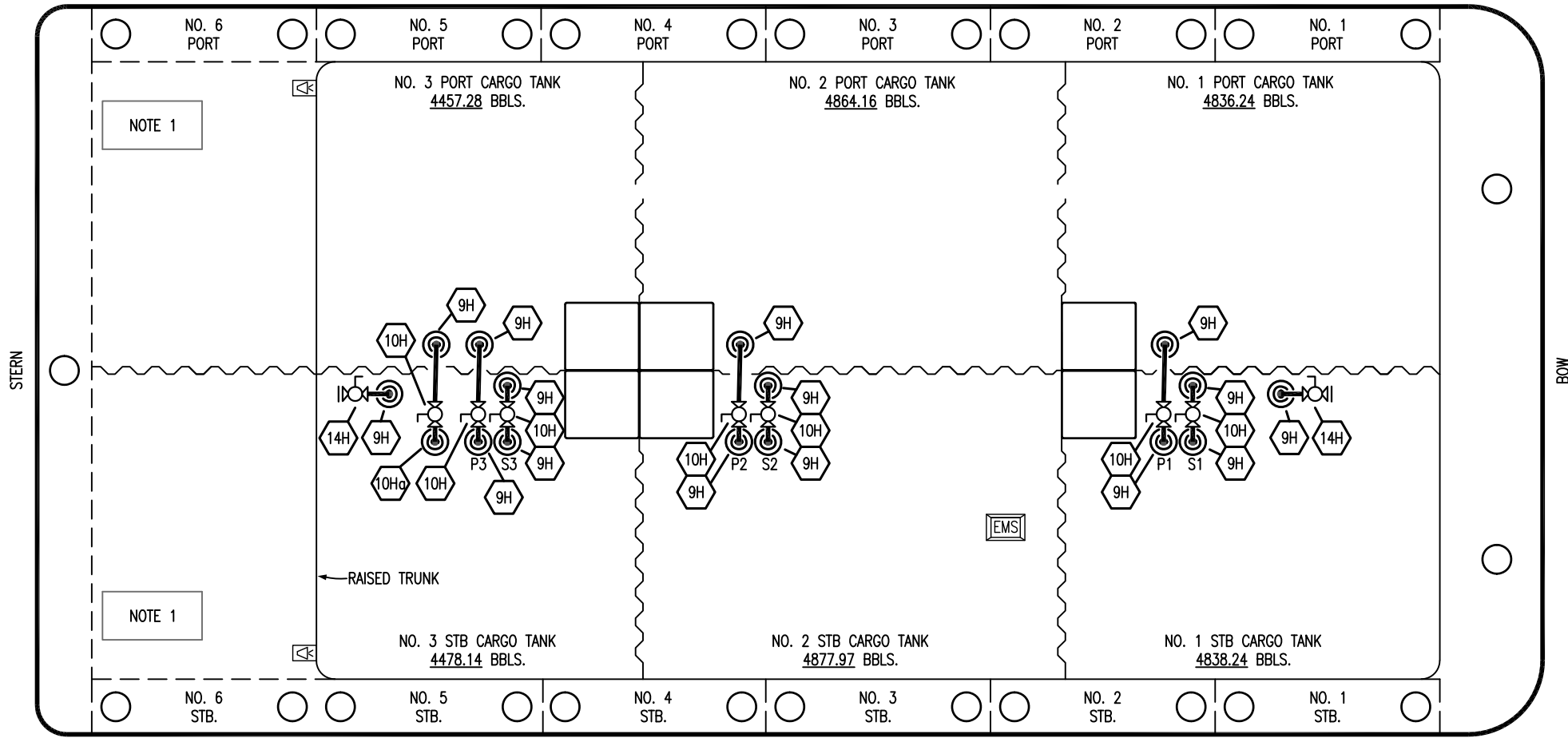
TRINITY MARINE

**KIRBY INLAND MARINE** 

**STRIPPING  
 PIPING DIAGRAM**

1	02/28/23	MRV	DDA	DL	REVISED PER CLIENT COMMENTS
0	02/01/10	DB	RB	OF	APPROVED
REV.	DATE	BY	CHK	APP	REVISION DESCRIPTION

PORT



NOTE 1

NOTE 1

STERN

BOW

STARBOARD

- |      |                         |
|------|-------------------------|
| NO   | DESCRIPTION             |
| 6H   | HEADER VALVE            |
| 7H   | CONDENSATE OUTLET       |
| 9H   | STEAM DROP              |
| 10H  | SUPPLY VALVE            |
| 10Hq | DEEP WELL CAN LINE      |
| 14H  | SHORE HEADER CONNECTION |

NOTE 1: CONTAINMENT P/S

TRINITY MARINE

1	02/28/23	MRV	DDA	DL	REVISED PER CLIENT COMMENTS	
0	02/01/10	DB	RB	OF	APPROVED	
REV.	DATE	BY	CHK	APP	REVISION DESCRIPTION	

**KIRBY INLAND MARINE**

**STEAM  
PIPING DIAGRAM**

SCALE: NONE	<b>KIRBY 28724</b>	REV. 1
PAGE: 4 OF 4		