

PORT

STARBOARD

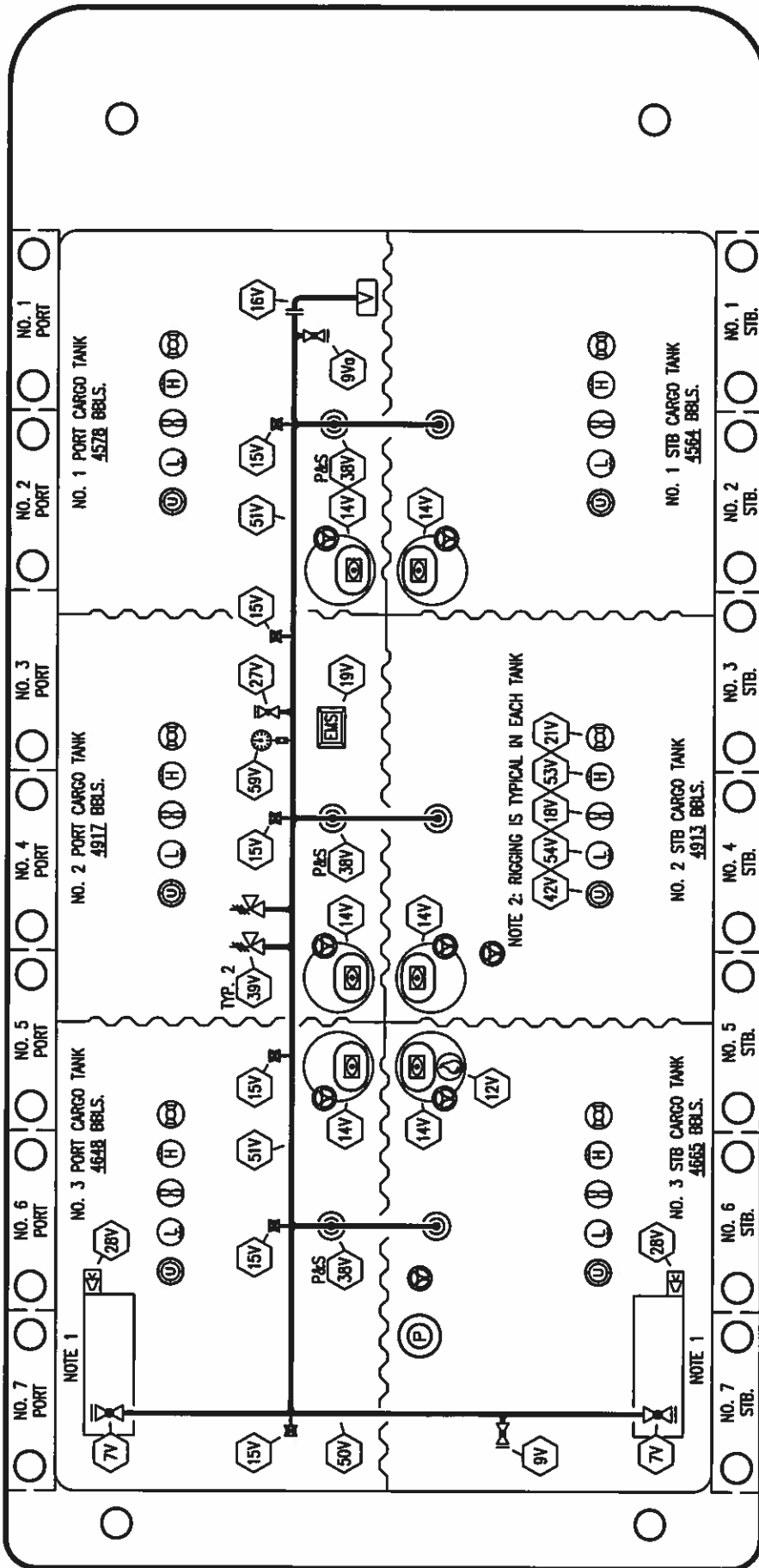
NOTE 1: CONTAINMENT P&S

DESCRIPTION

- | | | | |
|---------|---------------------------------|---------|---------------------------|
| NO. 1C | CARGO TANK VALVE | NO. 15C | BYPASS VALVE AROUND CHECK |
| NO. 2C | LOAD VALVE | NO. 16C | DISCHARGE PRESSURE GAUGE |
| NO. 3C | MASTER SUCTION VALVE | NO. 19C | CARGO HEADER |
| NO. 4C | DISCHARGE VALVE | NO. 24C | PIPE SIGHT GLASS |
| NO. 5C | HEADER VALVE | NO. 30C | CARGO PIPELINE |
| NO. 8C | RELIEF VALVE | NO. 37C | CARGO DROP |
| NO. 9C | CHECK VALVE | --- | ABOVE DECK PIPING |
| NO. 10C | BURP VALVE | --- | BELOW DECK PIPING |
| NO. 11C | BLEED OFF VALVE | | |
| NO. 12C | BURP VALVE RETURN TO CARGO TANK | | |

REV.	DATE	BY	CHK	APP	REVISION DESCRIPTION
1	04/18/17	WFB	DDA		REVISED PER CLIENT COMMENTS
0	01/18/10	RB	RB	OF	APPROVED

PORT



STERN

NOTE 1: CONTAINMENT P&S
NOTE 2: RIGGING IS TYPICAL IN EACH TANK

STARBOARD

NO DESCRIPTION

NO	DESCRIPTION	NO	DESCRIPTION
7V	8" HEADER VALVE	27V	1/4" TEST CONNECTION
8V	8" VENT STACK VALVE	28V	DOCK CONNECTION ALARM
9V	3/4" DRAIN VALVE	38V	8" VAPOR PENETRATION
91V	2" DRAIN VALVE	39V	4" PRESSURE/VACUUM VALVE
12V	2" HERMETIC SAMPLE	42V	8" ULLAGE HATCH
14V	PLATE COVERS	50V	8" VAPOR HEADER
15V	2" INSPECTION PORT	51V	8" VAPOR PIPELINE
16V	8" VAPOR VENT STACK	53V	HIGH LEVEL GAUGE
18V	2" RESTRICTIVE GAUGE TUBE	54V	LOW LEVEL GAUGE
19V	EMERGENCY ENGINE SHUT DOWN	59V	PRESS/VAC GAUGE
21V	2" HERMETIC GAUGE		ABOVE DECK PIPING



KIRBY INLAND MARINE

VAPOR

PIPING FLOW DIAGRAM

REV. 1

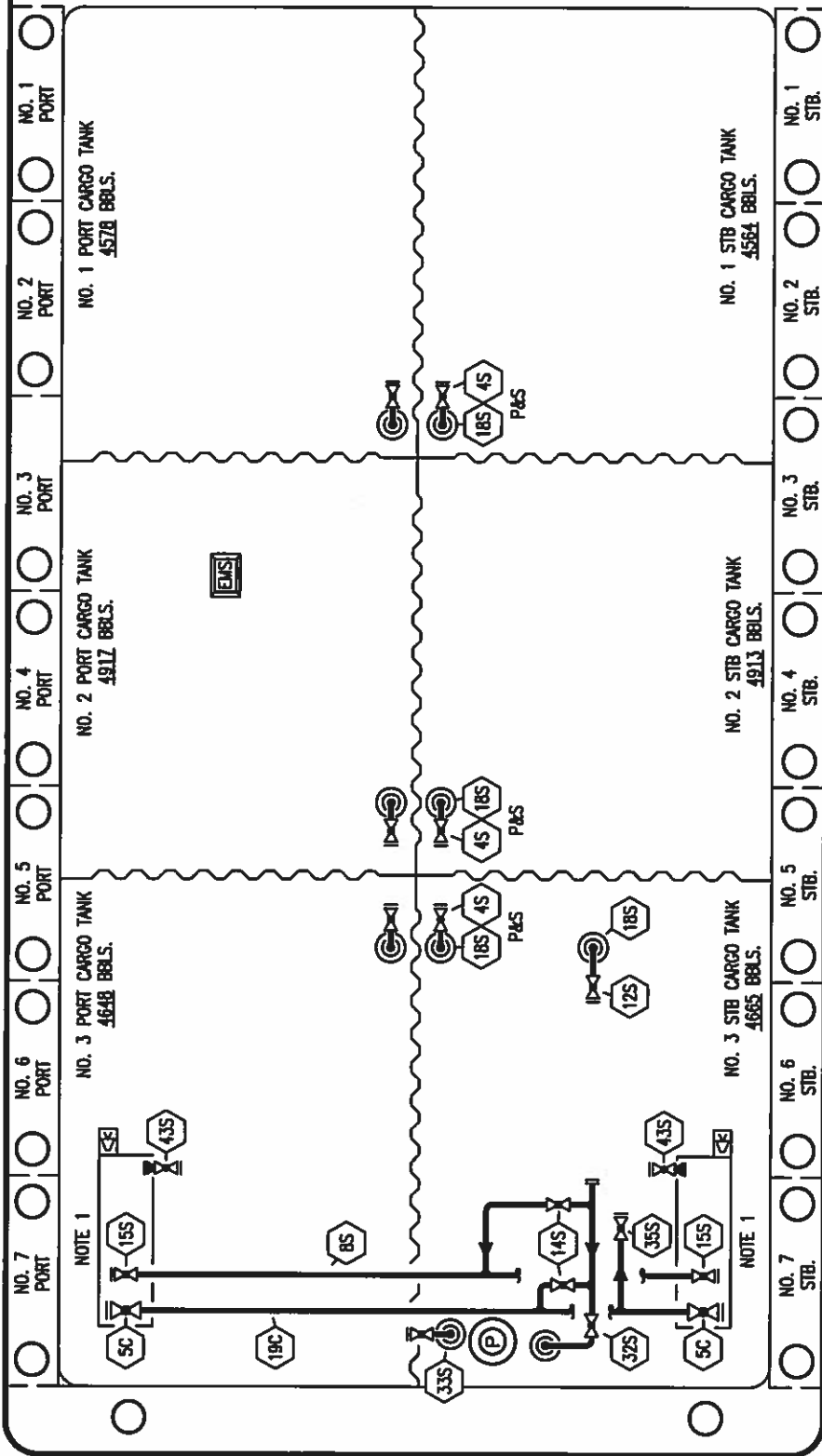
KIRBY 28313

SCALE: NONE
PAGE: 2 OF 3

REV.	DATE	BY	CHK APP	REVISION DESCRIPTION
1	04/18/17	WFB	DDA	REVISED PER CLIENT COMMENTS
0	01/18/10	RB	RB	OF APPROVED

BOB

PORT



STARBOARD

JEFFBOAT - EX: DXE 2914



KIRBY INLAND MARINE

STRIPPING

PIPING FLOW DIAGRAM

REV. 1

KIRBY 28313

SCALE: NONE
PAGE: 3 OF 3

STARBOARD

- | | |
|-----|----------------------------|
| NO | DESCRIPTION |
| 4S | CARGO TANK SUCTION VALVE |
| 5C | CARGO HEADER VALVE |
| 8S | DISCHARGE PIPING |
| 12S | RETURN TO CARGO TANK VALVE |
| 14S | DISCHARGE VALVE |
| 15S | HEADER DISCHARGE VALVE |
| 18S | STRIPPING DROP |
| 19C | CARGO HEADER |
| 32S | CARGO TANK SUCTION VALVE |
| 33S | CARGO HEADER VALVE |
| 37S | DISCHARGE PIPING |
| 43S | RETURN TO CARGO TANK VALVE |
| | DISCHARGE VALVE |
| | HEADER DISCHARGE VALVE |
| | STRIPPING DROP |
| | CARGO HEADER |

NOTE 1: CONTAINMENT P&S

REV.	DATE	BY	CHK/APP	REVISION DESCRIPTION
1	04/18/17	WFB	DDA	REVISED PER CLIENT COMMENTS
0	01/18/10	RB	RB	OF APPROVED