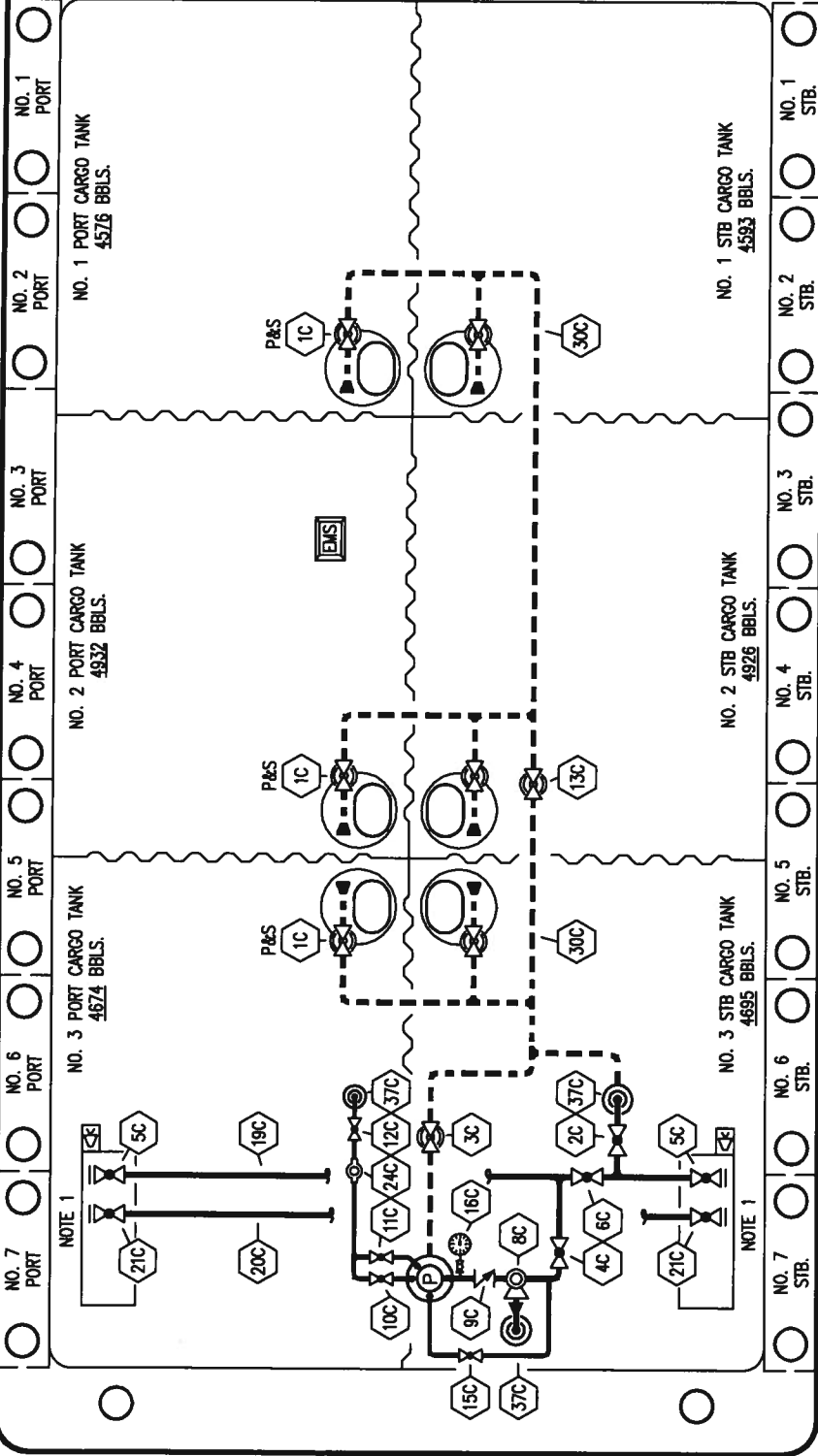


PORT



STERN

BOW

JEFFBOAT - EX: DXE 2910



KIRBY INLAND MARINE

CARGO

PIPING FLOW DIAGRAM

REV. 0

KIRBY 28309

SCALE: NONE
PAGE: 1 OF 3

STARBOARD

DESCRIPTION

- 13C CARGO PIPING BLOCK VALVE
- 15C BYPASS VALVE AROUND CHECK
- 16C DISCHARGE PRESSURE GAUGE
- 19C CARGO HEADER
- 20C DUMMY HEADER PIPING
- 21C DUMMY HEADER VALVE
- 24C PIPE SIGHT GLASS
- 30C CARGO PIPELINE
- 37C CARGO DROP

NO

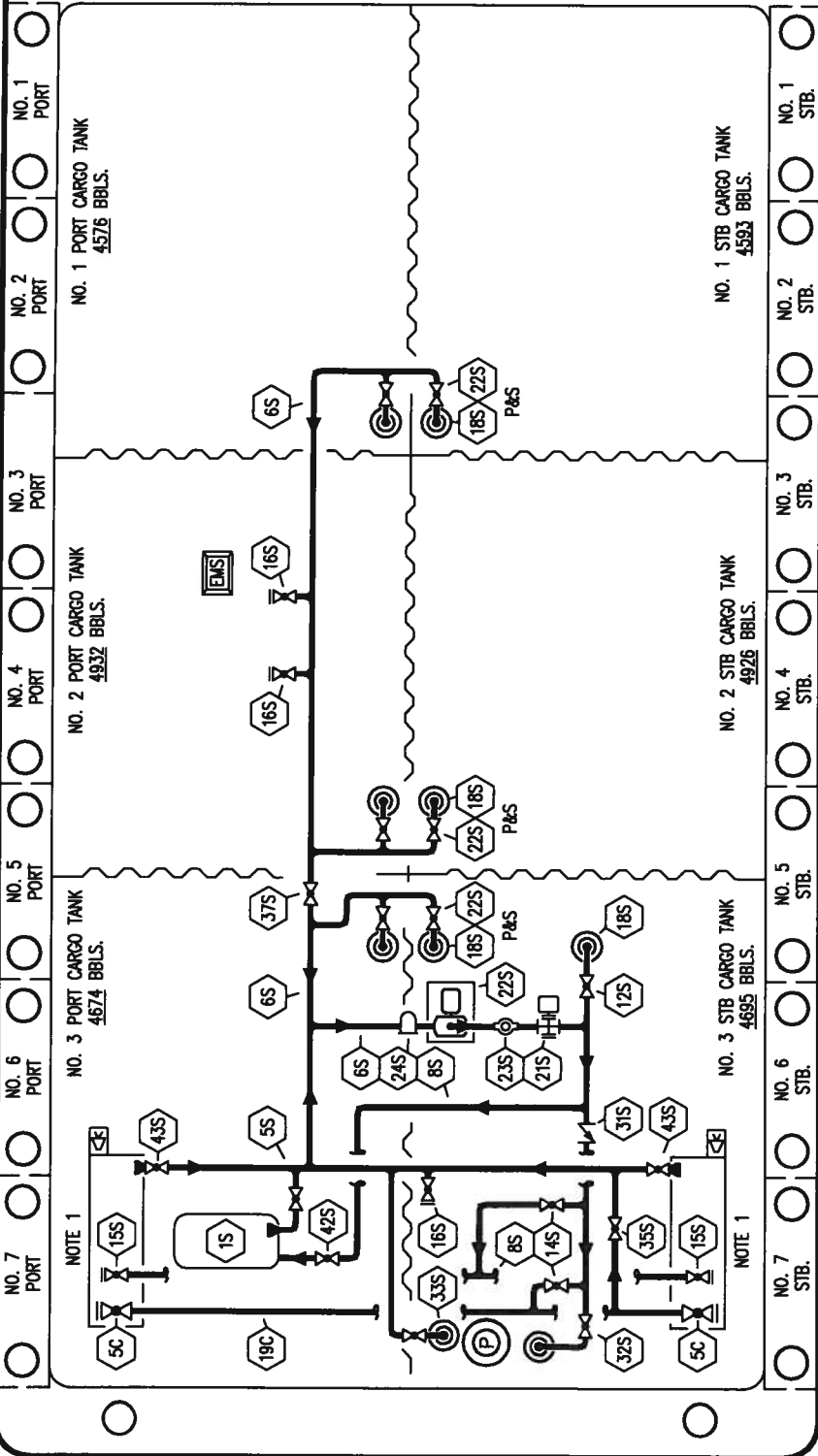
- 1C CARGO TANK VALVE
- 2C LOAD VALVE
- 3C MASTER SUCTION VALVE
- 4C DISCHARGE VALVE
- 5C HEADER VALVE
- 6C SALVAGE VALVE
- 8C RELIEF VALVE
- 9C CHECK VALVE
- 10C BURP VALVE
- 11C BLEED OFF VALVE
- 12C BURP VALVE RETURN TO CARGO TANK

NO

NOTE 1: CONTAINMENT P&S

REV.	DATE	BY	CHK	APP	REVISION DESCRIPTION
0	01/18/10	RB	OF	APPROVED	

PORT



STERN

BOW

NO. 7 PORT NO. 6 PORT NO. 5 PORT NO. 4 PORT NO. 3 PORT NO. 2 PORT NO. 1 PORT

NO. 1 PORT CARGO TANK 4576 BBLs.
 NO. 2 PORT CARGO TANK 4932 BBLs.
 NO. 3 PORT CARGO TANK 4674 BBLs.
 NO. 1 STB CARGO TANK 4593 BBLs.
 NO. 2 STB CARGO TANK 4926 BBLs.
 NO. 3 STB CARGO TANK 4695 BBLs.

NO. 7 STB. NO. 6 STB. NO. 5 STB. NO. 4 STB. NO. 3 STB. NO. 2 STB. NO. 1 STB.

STARBOARD

JEFFBOAT - EX: DXE 2910



KIRBY INLAND MARINE

STRIPPING PIPING FLOW DIAGRAM

NOTE 1: CONTAINMENT P&S

NO	DESCRIPTION
1S	SLOP TANK
4S	CARGO TANK SUCTION VALVE
5C	CARGO HEADER VALVE
5S	SLOP TANK SUCTION VALVE
6S	SUCTION PIPING
8S	DISCHARGE PIPING
12S	RETURN TO CARGO TANK VALVE
14S	DISCHARGE VALVE
15S	HEADER DISCHARGE VALVE
16S	REMOTE SUCTION CONNECTION
18S	STRIPPING DROP
19C	CARGO HEADER
21S	PRIMING POT
22S	STRIPPING PUMP
23S	FLOW INDICATOR
24S	BASKET STRAINER
26S	CARGO PIPING SUCTION VALVE
31S	CHECK VALVE
32S	PUMP WELL PRIMER VALVE
33S	PUMP WELL SUCTION VALVE
37S	BLOCK VALVE
42S	SLOP TANK FILL VALVE
43S	DRIP PAN SUCTION VALVE
	ABOVE DECK PIPING

REV.	DATE	BY	CHK	APP	REVISION DESCRIPTION
0	01/18/10	RB	RB	OF	APPROVED

SCALE: NONE
 PAGE: 3 OF 3
KIRBY 28309

REV. 0