

JEFFBOAT - EX: DXE 2903



**KIRBY INLAND MARINE**

**CARGO**

**PIPING FLOW DIAGRAM**

REV.	DATE	BY	CHK	APP	REVISION DESCRIPTION
0	01/18/10	RB	RB	OF	APPROVED

SCALE: NONE  
PAGE: 1 OF 3

**KIRBY 28302**

- |         |                                 |         |                           |
|---------|---------------------------------|---------|---------------------------|
| NO. 1C  | CARGO TANK VALVE                | NO. 13C | CARGO PIPING BLOCK VALVE  |
| NO. 2C  | LOAD VALVE                      | NO. 15C | BYPASS VALVE AROUND CHECK |
| NO. 3C  | MASTER SUCTION VALVE            | NO. 16C | DISCHARGE PRESSURE GAUGE  |
| NO. 4C  | DISCHARGE VALVE                 | NO. 19C | CARGO HEADER              |
| NO. 5C  | HEADER VALVE                    | NO. 20C | DUMMY HEADER PIPING       |
| NO. 6C  | SALVAGE VALVE                   | NO. 21C | DUMMY HEADER VALVE        |
| NO. 8C  | RELIEF VALVE                    | NO. 24C | PIPE SIGHT GLASS          |
| NO. 9C  | CHECK VALVE                     | NO. 30C | CARGO PIPELINE            |
| NO. 10C | BURP VALVE                      | NO. 37C | CARGO DROP                |
| NO. 11C | BLEED OFF VALVE                 |         | ABOVE DECK PIPING         |
| NO. 12C | BURP VALVE RETURN TO CARGO TANK |         | BELOW DECK PIPING         |

NOTE 1: CONTAINMENT P&S

STARBOARD

PORT

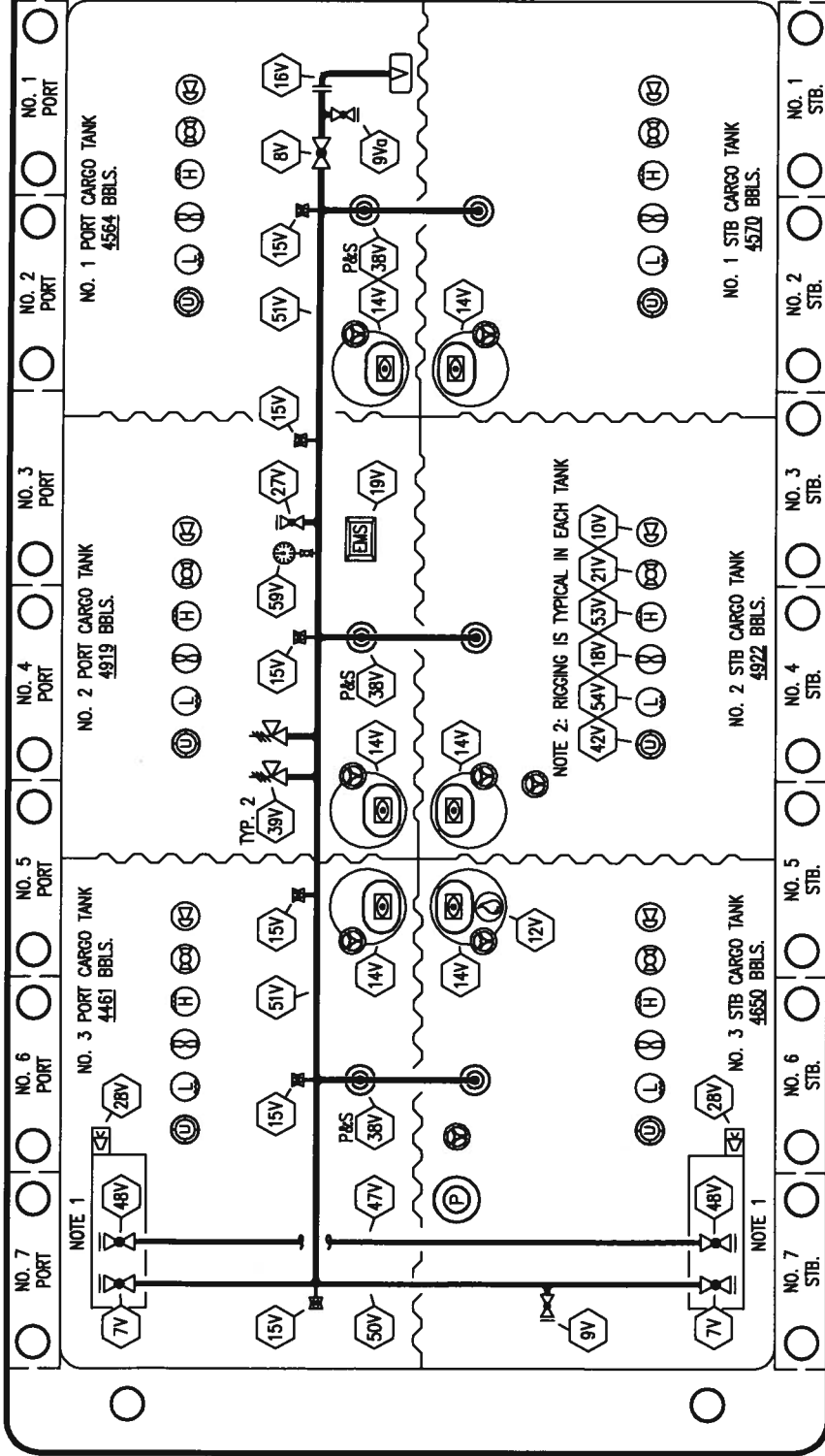
NOB

STERN

NO. 1

NO. 1

PORT



STARBOARD

NO.	DESCRIPTION	NO.	DESCRIPTION	NO.	DESCRIPTION
7V	8" HEADER VALVE	21V	2" HERMETIC GAUGE	54V	LOW LEVEL GAUGE
8V	8" VENT STACK VALVE	27V	1/4" TEST CONNECTION	59V	PRESS/VAC GAUGE
9V	3/4" DRAIN VALVE	28V	DOCK CONNECTION ALARM		ABOVE DECK PIPING
9V <sub>0</sub>	2" DRAIN VALVE	38V	8" VAPOR PENETRATION		
10V	HIGH LEVEL/OVERFILL ALARM	39V	4" PRESSURE/VACUUM VALVE		
12V	2" HERMETIC SAMPLE	42V	8" ULLAGE HATCH		
14V	6" SIGHT GLASS W/GAUGE TREE	47V	8" DUMMY HEADER		
15V	2" INSPECTION PORT	48V	8" DUMMY HEADER VALVE		
16V	8" VAPOR VENT STACK	50V	8" VAPOR HEADER		
16V	2" RESTRICTIVE GAUGE TUBE	51V	8" VAPOR PIPELINE		
19V	EMERGENCY ENGINE SHUT DOWN	53V	HIGH LEVEL GAUGE		

JEFFBOAT -- EX: DXE 2903



KIRBY INLAND MARINE

VAPOR PIPING FLOW DIAGRAM

REV.	DATE	BY	CHK	APP	REVISION DESCRIPTION	SCALE:	NONE	PAGE:	2 OF 3
0	01/18/10	RB	OF	APPROVED					

KIRBY 28302

REV. 0

