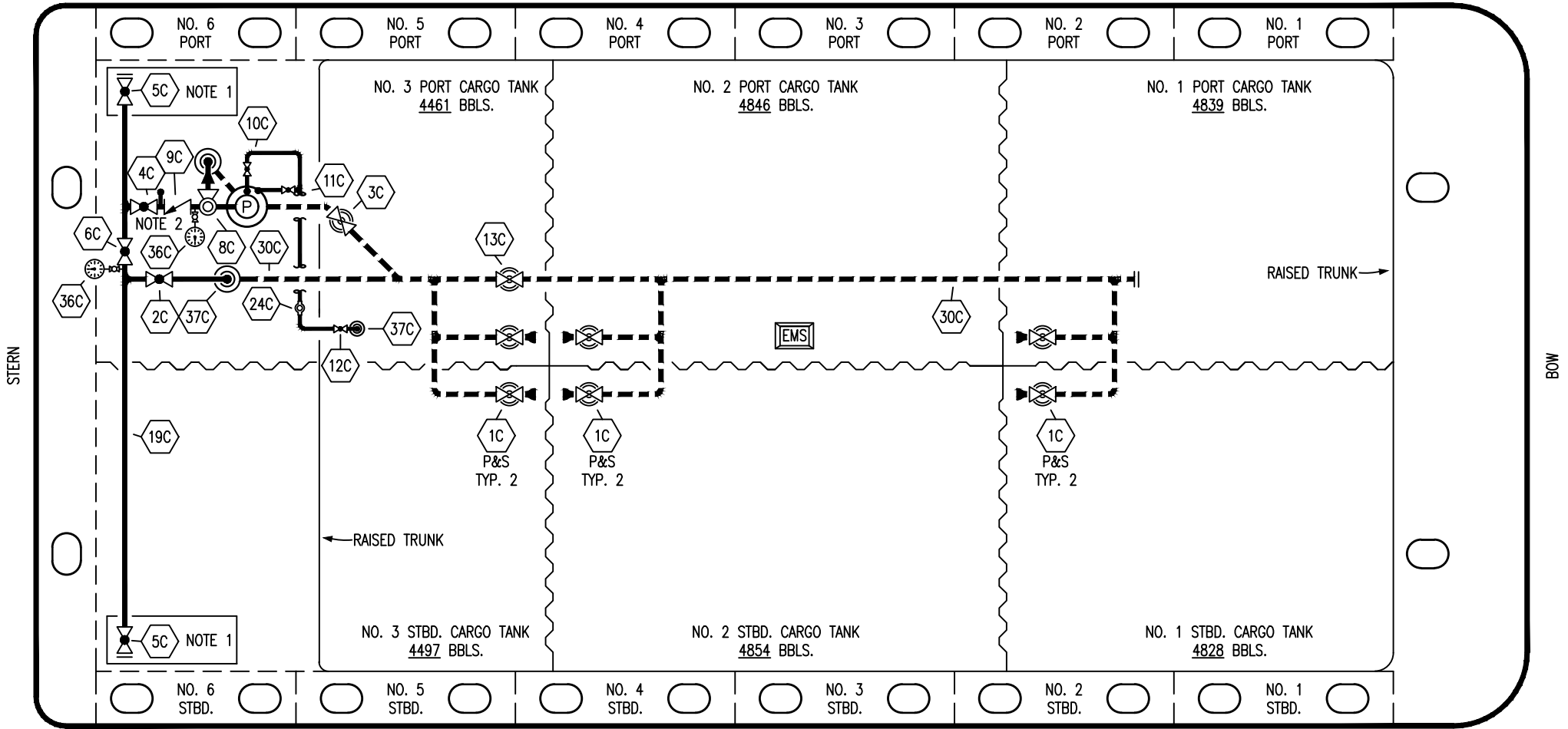


PORT



STARBOARD

- NO DESCRIPTION
- 1C CARGO TANK VALVE
- 2C LOAD VALVE
- 3C MASTER SUCTION VALVE
- 4C DISCHARGE VALVE
- 5C HEADER VALVE
- 6C SALVAGE VALVE
- 8C RELIEF VALVE
- 9C CHECK VALVE
- 10C BURP VALVE
- 11C BLEED OFF VALVE

- NO DESCRIPTION
- 12C BURP VALVE RETURN TO CARGO TANK
- 13C CARGO PIPING BLOCK VALVE
- 19C CARGO HEADER
- 24C FLOW INDICATOR
- 30C CARGO PIPELINE
- 36C PRESSURE GAUGE
- 37C CARGO DROP
- ABOVE DECK PIPING
- - - BELOW DECK PIPING

NOTE 2: CONTINUE ON STRIPPING DIAGRAM
NOTE 1: CONTAINMENT P/S

REV.	DATE	BY	CHK	APP	REVISION DESCRIPTION
4	06/15/21	CJG	DDA	CW	REVISED PER CLIENT COMMENTS
3	08/21/20	MRV	DDA	GWS	REVISED PER CLIENT COMMENTS
2	11/07/13	DCB	DDA		MOVED 13C
1	03/08/11	DCB	DDA		REVISED TANK CAPACITY
A	01/07/11	BAG	RB	OF	FOR APPROVAL

KIRBY INLAND MARINE



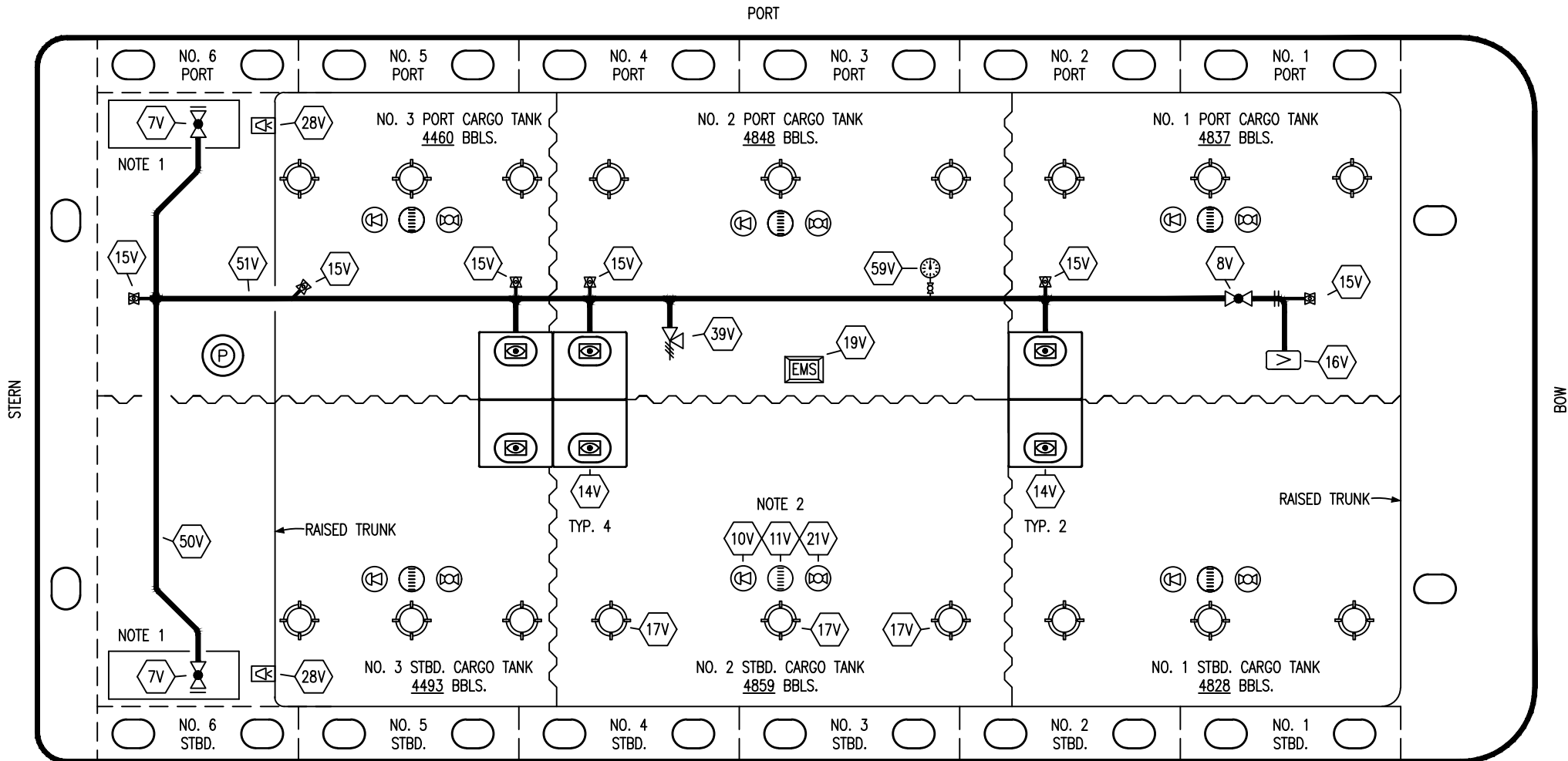
**CARGO
PIPING FLOW DIAGRAM**

SCALE: NONE
PAGE: 1 OF 3

KIRBY 28171

REV. 4

TRINITY



NO	DESCRIPTION	NO	DESCRIPTION
7V	8" HEADER VALVE	21V	2" HERMETIC GAUGE
8V	8" VENT STACK VALVE	28V	DOCK CONNECTION ALARM
10V	8" HIGH LEVEL/OVERFILL ALARM	39V	PRESS/VAC RELIEF VALVE
11V	8" 1-METER STICK GAUGE	50V	8" VAPOR HEADER
14V	6" SIGHT GLASS W/GAUGE TREE	51V	8" VAPOR PIPELINE
15V	2" INSPECTION PORT	59V	PRESS/VAC GAUGE
16V	8" VAPOR VENT STACK	—	ABOVE DECK PIPING
17V	20" BUTTERWORTH		
19V	EMERGENCY ENGINE SHUT DOWN		

NOTE 1: CONTAINMENT P/S

NOTE 2: RIGGING IS TYPICAL IN EACH TANK

REV.	DATE	BY	CHK	APP	REVISION DESCRIPTION
3	06/15/21	CJG	DDA	CW	REVISED PER CLIENT COMMENTS
2	08/21/20	MRV	DDA	GWS	REVISED PER CLIENT COMMENTS
1	05/05/11	FP	DDA		REVISED CARGO CAPACITY
A	01/07/11	BAG	RB	OF	FOR APPROVAL

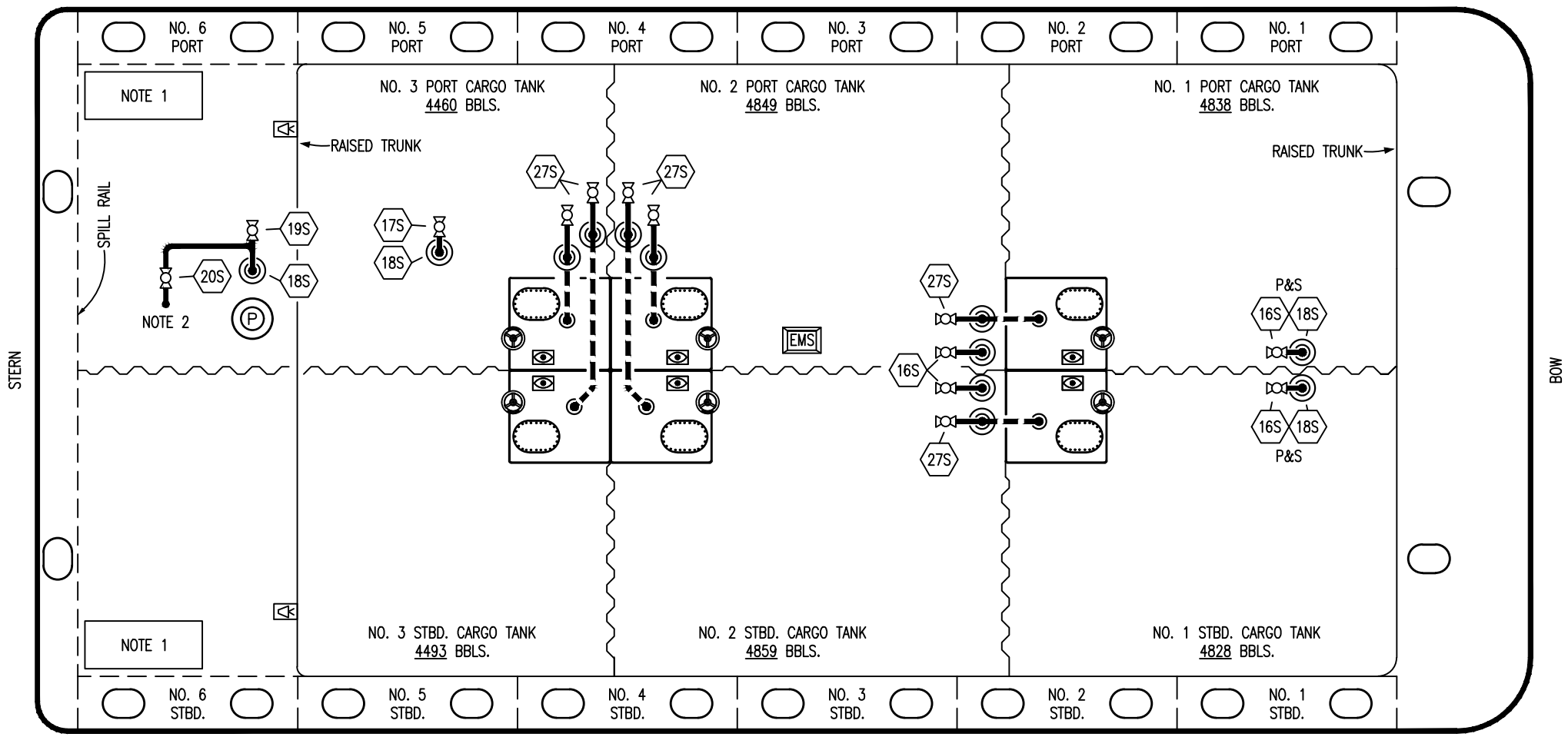
KIRBY INLAND MARINE 

**VAPOR
PIPING FLOW DIAGRAM**

SCALE: NONE
PAGE: 2 OF 3

KIRBY 28171

REV. **3**



- | NO | DESCRIPTION |
|-----|--------------------------------|
| 16S | FORWARD TANK STRIPPING |
| 17S | PIPELINE SUCTION |
| 18S | TYP. STRIPPING DROP |
| 19S | DEEPWELL SUCTION STRIPPING CAN |
| 20S | CARGO VALVE BYPASS LINE |
| 27S | SUMP SUCTION VALVE |
| | ABOVE DECK PIPING |
| | BELOW DECK PIPING |

NOTE 2: CONTINUE FROM CARGO DIAGRAM
 NOTE 1: CONTAINMENT P/S

REV.	DATE	BY	CHK	APP	REVISION DESCRIPTION
4	06/15/21	CJG	DDA	CW	REVISED PER CLIENT COMMENTS
3	08/21/20	MRV	DDA	GWS	REVISED PER CLIENT COMMENTS
2	11/07/13	DCB	DDA		REVISED PIPING
1	03/01/11	DCB	DDA		REVISED CARGO CAPACITY
0	10/14/11	JN	DDA		ISSUED FOR APPROVAL

KIRBY INLAND MARINE

**STRIPPING
 PIPING FLOW DIAGRAM**

SCALE: NONE
 PAGE: 3 OF 3

KIRBY 28171

REV. **4**

TRINITY