

WEST GULF MARINE



KIRBY INLAND MARINE

CARGO

PIPING FLOW DIAGRAM

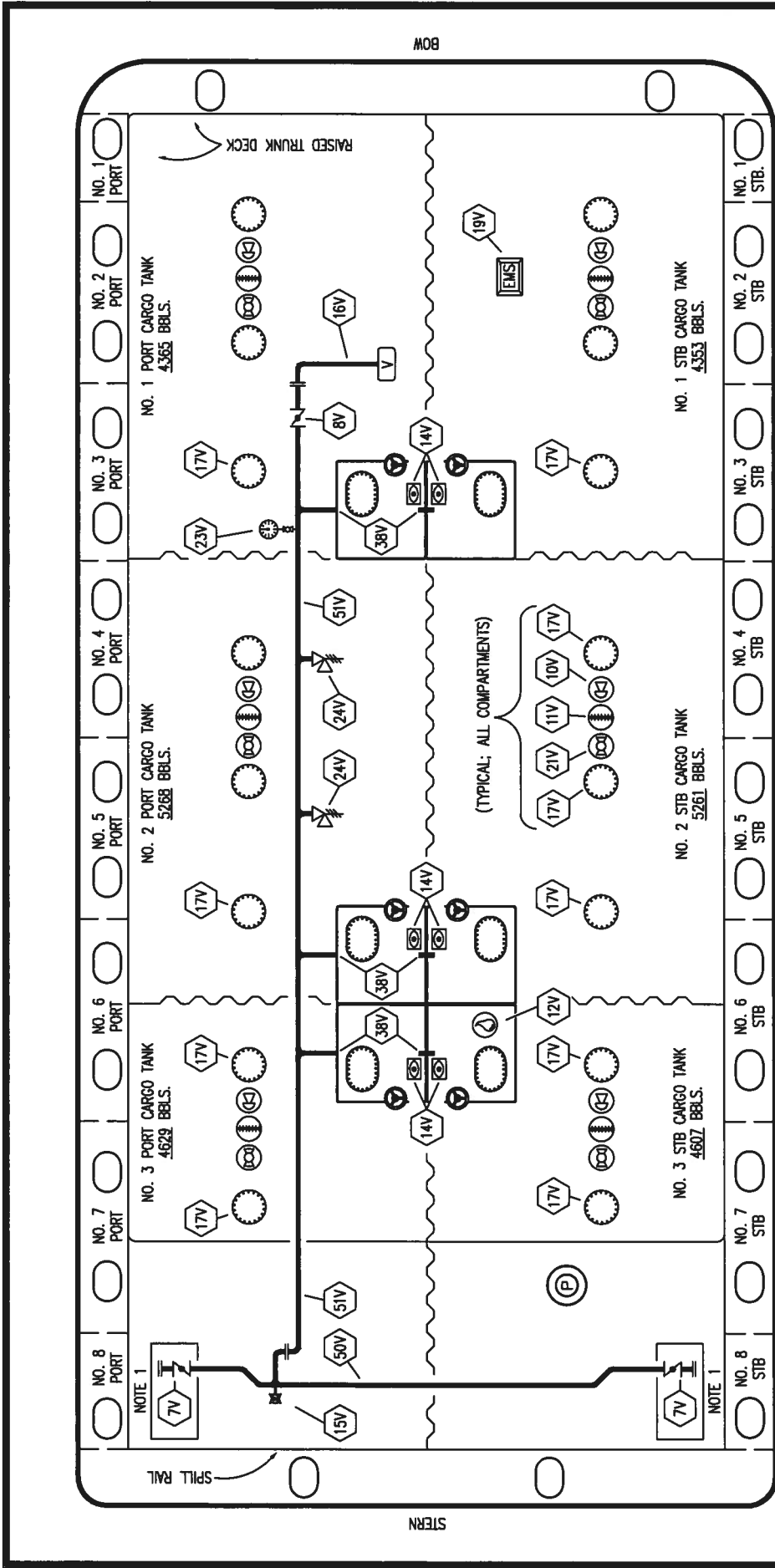
NOTE 1: CONTAINMENT P/S

- | | |
|-------|--------------------------|
| NO | DESCRIPTION |
| 1C | 8" CARGO TANK VALVE |
| 2C | 8" LOAD VALVE |
| 3C | 12" MASTER SUCTION VALVE |
| 4C | 8" DISCHARGE VALVE |
| 5C | 8" HEADER VALVE |
| 6C | 8" SALVAGE SPOOL PIECE |
| 8C | 6" RELIEF VALVE |
| 9C | 8" CHECK VALVE |
| 10C | BURP VALVE |
| 15C | 2" CHECK BYPASS VALVE |
| 19C | 8" CARGO HEADER |
| 24C | FLOW INDICATOR |
| 30C | 12" CARGO PIPELINE |
| 37C | CARGO DROP |
| --- | ABOVE DECK PIPING |
| - - - | BELOW DECK PIPING |

REV.	DATE	BY	CHK/APP	ISSUED FOR APPROVAL	SCALE:	PAGE:
A	06/29/11	JN	DDA		NONE	1 OF 3

KIRBY 28142

REV. A



WEST GULF MARINE

KIRBY INLAND MARINE

VAPOR PIPING FLOW DIAGRAM

KIRBY 28142

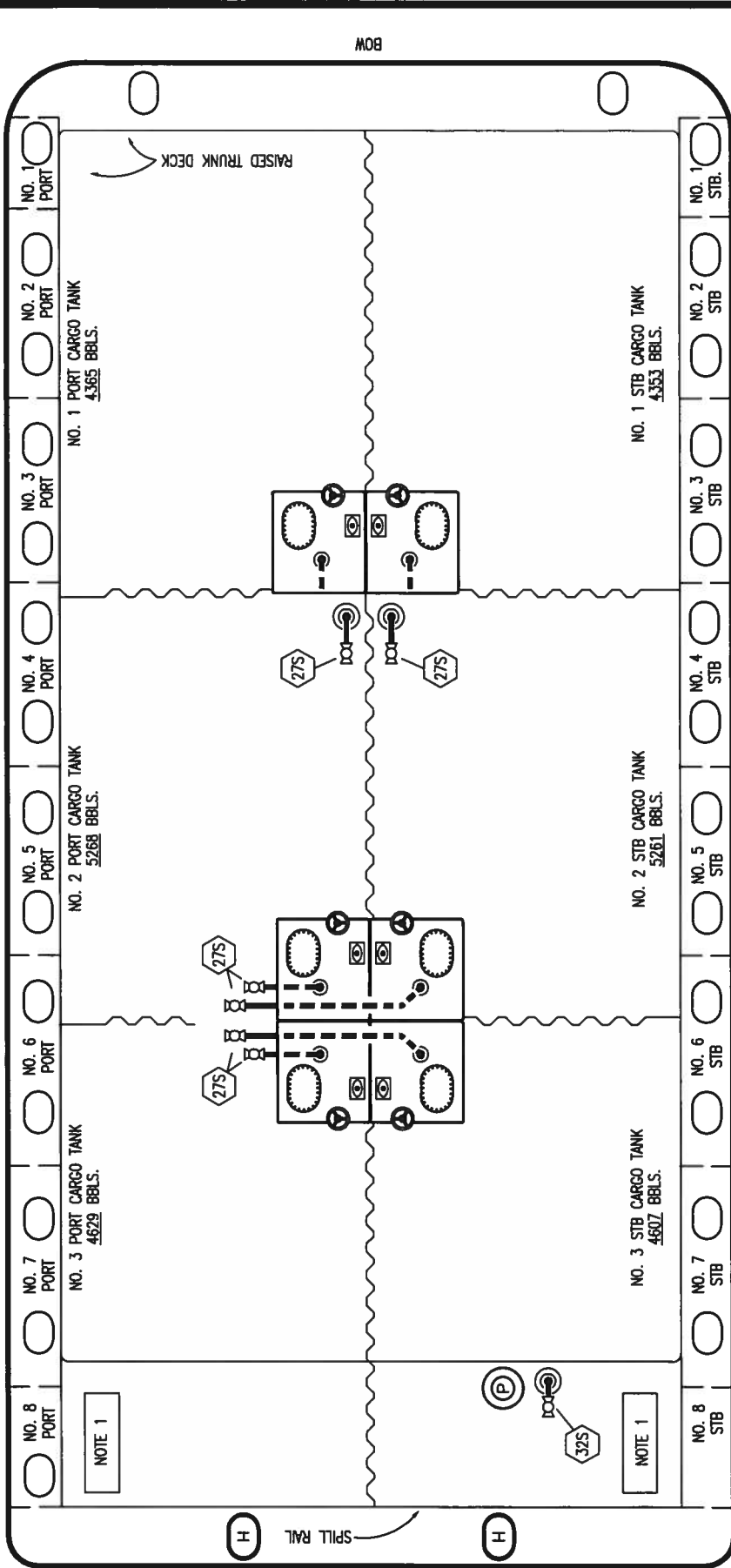
SCALE: NONE PAGE: 2 OF 3

REV. A

NOTE 1: CONTAINMENT P/S

NO	DESCRIPTION
7V	8" HEADER VALVE
8V	8" VENT STACK VALVE
10V	HIGH LEVEL/OVERFILL ALARM
11V	1 METER GAUGE STICK
12V	2" HERMETIC SAMPLE
14V	8" SIGHT GLASS
15V	INSPECTION PORT
16V	8" VAPOR VENT STACK
19V	EMERGENCY SHUTDOWN SYSTEM
21V	HERMETIC GAUGE
17V	20" BUTTERWORTH
23V	GAUGE
24V	6" PRESSURE RELIEF VALVE, HIGH VELOCITY
38V	10" VAPOR PENETRATION
50V	VAPOR HEADER
51V	VAPOR PIPELINE
	ABOVE DECK PIPING

REV.	DATE	BY	CHK	APP	ISSUED FOR APPROVAL	REVISION DESCRIPTION
A	06/29/11	JN	DDA			



TRINITY



KIRBY INLAND MARINE

**STRIPPING
PIPING FLOW DIAGRAM**

REV. **A**
SCALE: NONE
PAGE: 3 OF 3

NOTE 1: CONTAINMENT P/S

REV.	DATE	BY	CHK	APP	ISSUED FOR APPROVAL	REVISION DESCRIPTION
A	06/29/11	JN	DDA			

- NO. DESCRIPTION
- 18S TYP. STRIPPING PENETRATION (C)
 - 27S SUMP SUCTION
 - 32S PUMP WELL PRIMER VALVE
 - ABOVE DECK PIPING
 - - - BELOW DECK PIPING