

WEST GULF MARINE



KIRBY INLAND MARINE

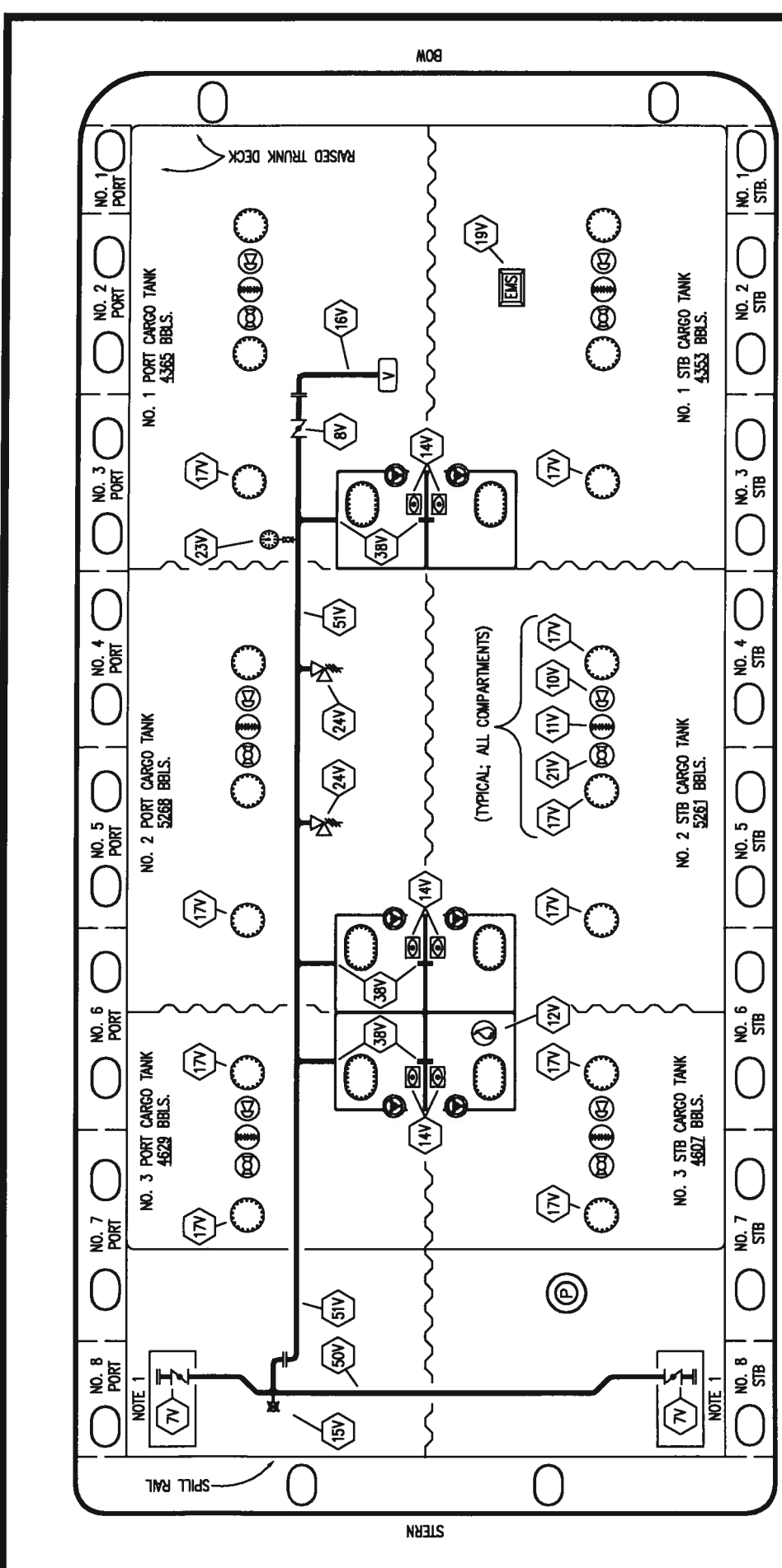
CARGO
PIPING FLOW DIAGRAM

SCALE: NONE
PAGE: 1 OF 3
REV. 2

NOTE 1: CONTAINMENT P/S

- | | |
|-------|--------------------------|
| NO | DESCRIPTION |
| 1C | 8" CARGO TANK VALVE |
| 2C | 8" LOAD VALVE |
| 3C | 12" MASTER SUCTION VALVE |
| 4C | 8" DISCHARGE VALVE |
| 5C | 8" HEADER VALVE |
| 6C | 8" SALVAGE SPOOL PIECE |
| 8C | 6" RELIEF VALVE |
| 9C | 8" CHECK VALVE |
| 10C | BURP VALVE |
| 15C | 2" CHECK BYPASS VALVE |
| 19C | 8" CARGO HEADER |
| 24C | FLOW INDICATOR |
| 30C | 12" CARGO PIPELINE |
| 37C | CARGO DROP |
| --- | ABOVE DECK PIPING |
| - - - | BELOW DECK PIPING |

REV.	DATE	BY	CHK	APP	REVISION DESCRIPTION
2	08/13/09	RB	AB		REMOVE SALVAGE VALVE
1	05/19/09	RB	AB		CHANGE BARREL CAP.
0	04/20/09	WK	RB	AB	APPROVED



NO. 7 PORT

NO. 6 PORT

NO. 5 PORT

NO. 4 PORT

NO. 3 PORT

NO. 2 PORT

NO. 1 PORT

NO. 1 STB

NO. 2 STB

NO. 3 STB

NO. 4 STB

NO. 5 STB

NO. 6 STB

NO. 7 STB

NO. 8 STB

STERN

BOW

NO. 7V

NO. 8V

NO. 10V

NO. 11V

NO. 12V

NO. 14V

NO. 15V

NO. 16V

NO. 19V

NO. 21V

NO. 17V

NO. 23V

NO. 24V

NO. 38V

NO. 50V

NO. 51V

DESCRIPTION

8" HEADER VALVE

8" VENT STACK VALVE

HIGH LEVEL/OVERFILL ALARM

1 METER GAUGE STICK

2" HERMETIC SAMPLE

8" SIGHT GLASS

INSPECTION PORT

8" VAPOR VENT STACK

EMERGENCY SHUTDOWN SYSTEM

HERMETIC GAUGE

20" BUTTERWORTH

DESCRIPTION

GAUGE

6" PRESSURE RELIEF VALVE, HIGH VELOCITY

10" VAPOR PENETRATION

VAPOR HEADER

VAPOR PIPELINE

ABOVE DECK PIPING

NOTE 1: CONTAINMENT P/S

NO. 1 PORT CARGO TANK 4365 BBLs.

NO. 2 PORT CARGO TANK 5268 BBLs.

NO. 3 PORT CARGO TANK 4829 BBLs.

NO. 1 STB CARGO TANK 4353 BBLs.

NO. 2 STB CARGO TANK 5261 BBLs.

NO. 3 STB CARGO TANK 4807 BBLs.

(TYPICAL: ALL COMPARTMENTS)

17V 21V 11V 10V 17V

RAISED TRUNK DECK

SPILL RAIL

NOTE 1

NOTE 1

WEST GULF MARINE

KIRBY INLAND MARINE

VAPOR

PIPING FLOW DIAGRAM

REV.	DATE	BY	CHK	APP	REVISION DESCRIPTION
1	05/19/09	RB	AB		CHANGE BARREL CAP.
0	04/20/09	WK	AB		APPROVED

SCALE: NONE

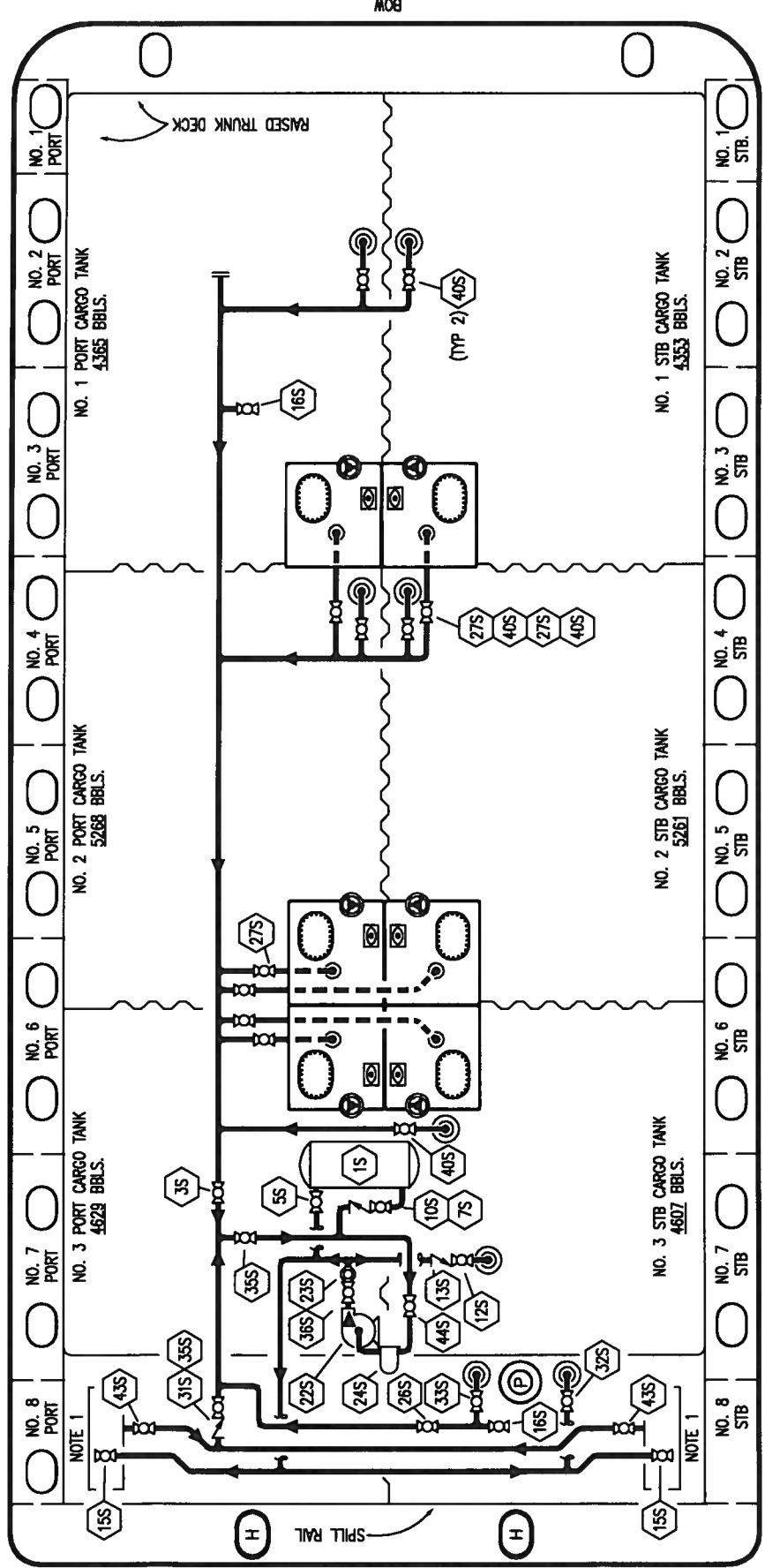
PAGE: 2 OF 3

SCALE: NONE

PAGE: 2 OF 3

REV. 1

KIRBY 28136



NO. 1 PORT CARGO TANK
4365 BBLs.

NO. 2 PORT CARGO TANK
5268 BBLs.

NO. 3 PORT CARGO TANK
4629 BBLs.

NO. 4 PORT CARGO TANK
5261 BBLs.

NO. 5 PORT CARGO TANK
4607 BBLs.

NO. 6 PORT CARGO TANK
5261 BBLs.

NO. 7 PORT CARGO TANK
4629 BBLs.

NO. 8 PORT CARGO TANK
4365 BBLs.

NO. 1 STB CARGO TANK
4365 BBLs.

NO. 2 STB CARGO TANK
5261 BBLs.

NO. 3 STB CARGO TANK
4607 BBLs.

NO. 4 STB CARGO TANK
5261 BBLs.

NO. 5 STB CARGO TANK
4607 BBLs.

NO. 6 STB CARGO TANK
5261 BBLs.

NO. 7 STB CARGO TANK
4607 BBLs.

NO. 8 STB CARGO TANK
4365 BBLs.

NO. 1 STB

NO. 2 STB

NO. 3 STB

NO. 4 STB

NO. 5 STB

NO. 6 STB

NO. 7 STB

NO. 8 STB

NOTE 1: CONTAINMENT P/S

— ABOVE DECK PIPING

- - - BELOW DECK PIPING

NO.	DESCRIPTION	REV.	DATE	BY	CHK	APP	REVISION DESCRIPTION
15	SLOP TANK	1	05/19/09	RB	AB		CHANGE BARREL CAP.
25	VALVE CARGO TANK	0	04/20/09	WK	AB		APPROVED
35	VALVE MAIN CARGO PIPING						
45	VALVE CARGO TANK						
55	SLOP TANK SUCTION VALVE						
65	SLOP TANK VALVE						
75	SLOP TANK CHECK VALVE						
85	RETURN TO CARGO TANK VALVE						
95	RETURN TO CARGO CHECK VALVE						
105	DISCHARGE CARGO VALVE						
115	REMOTE SUCTION CONNECTION						
125	TYP. STRIPPING PENETRATION						
135	STRIPPING PUMP						
145	FLOW INDICATOR						
155	BASKET STRAINER						
165	STRIPPING HEADER BLOCK VALVE						
175	SUMP SUCTION						
185	CHECK VALVE						
195	PUMP WELL PRIMER VALVE						
205	PUMP WELL SUCTION						
215	STRIPPING VALVE						
225	STRIPPING PUMP DISCHARGE						
235	CARGO TANK SUCTION						
245	DRIP PAN SUCTION VALVE						
255	STRIPPING PUMP SUCTION						

WEST GULF MARINE

KIRBY INLAND MARINE

STRIPPING PIPING FLOW DIAGRAM

SCALE: NONE

PAGE: 3 OF 3

REV. 1