

WEST GULF MARINE

KIRBY INLAND MARINE

CARGO

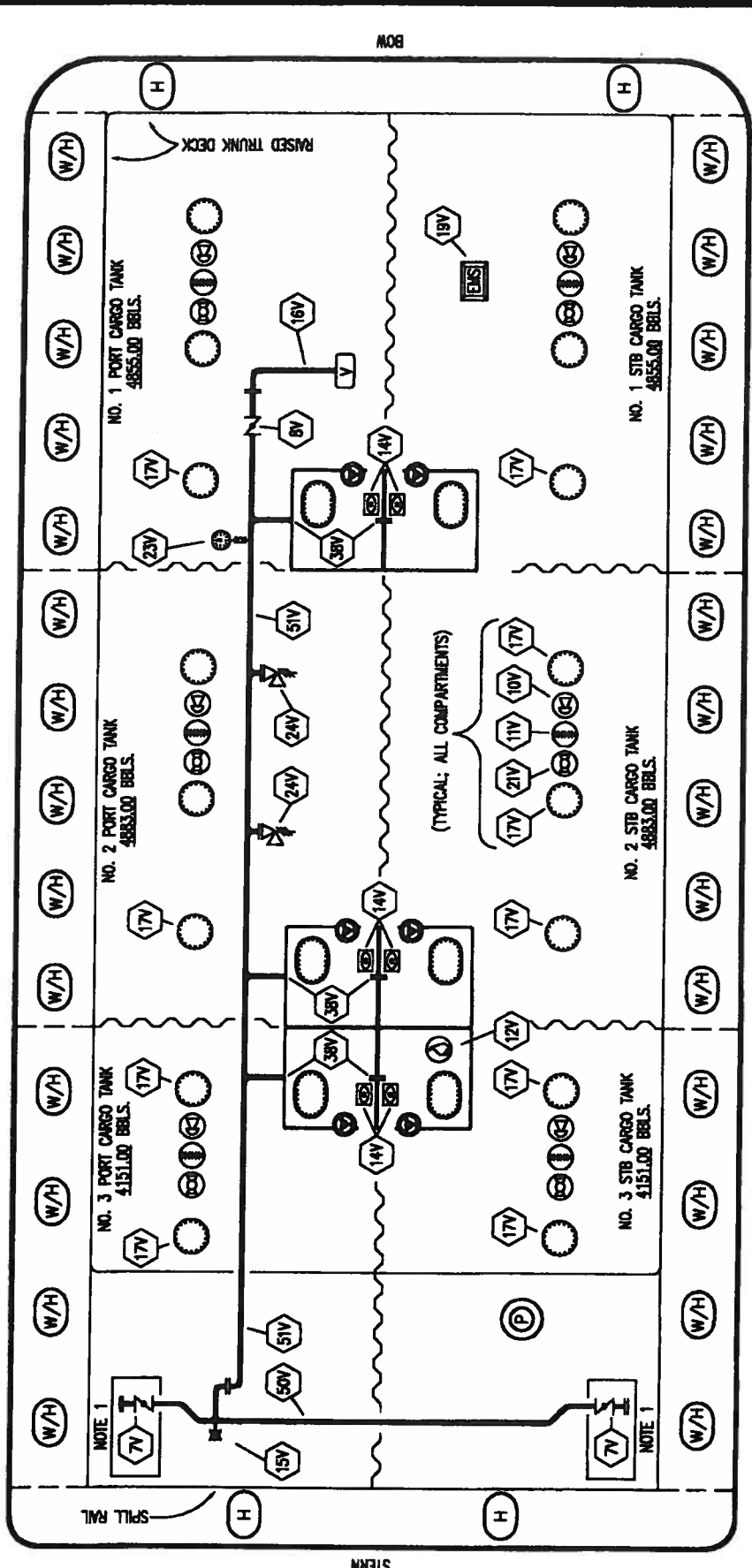
PIPING FLOW DIAGRAM

SCALE: NONE PAGE: 1 OF 3

REV. **2**

REV.	DATE	BY	CHK	APP	REVISION DESCRIPTION
2	08/13/09	RB	RB	AB	REMOVE SALVAGE VALVE
1	05/19/09	RB	RB	AB	CHANGE BARREL CAP.
0	04/20/09	WK	RB	AB	APPROVED

- NOTE 1: CONTAINMENT P/S
- | | |
|---|---|
| <p>NO DESCRIPTION</p> <p>1C 8" CARGO TANK VALVE</p> <p>2C 8" LOAD VALVE</p> <p>3C 12" MASTER SUCTION VALVE</p> <p>4C 8" DISCHARGE VALVE</p> <p>5C 8" HEADER VALVE</p> <p>6C 8" SALVAGE SPOOL PIECE</p> <p>8C 6" RELIEF VALVE</p> <p>9C 8" CHECK VALVE</p> <p>10C BURP VALVE</p> | <p>NO DESCRIPTION</p> <p>15C 2" CHECK BYPASS VALVE</p> <p>19C 8" CARGO HEADER</p> <p>24C FLOW INDICATOR</p> <p>30C 12" CARGO PIPELINE</p> <p>37C CARGO DROP</p> <p>--- ABOVE DECK PIPING</p> <p>--- BELOW DECK PIPING</p> |
|---|---|



WEST GULF MARINE

KIRBY INLAND MARINE

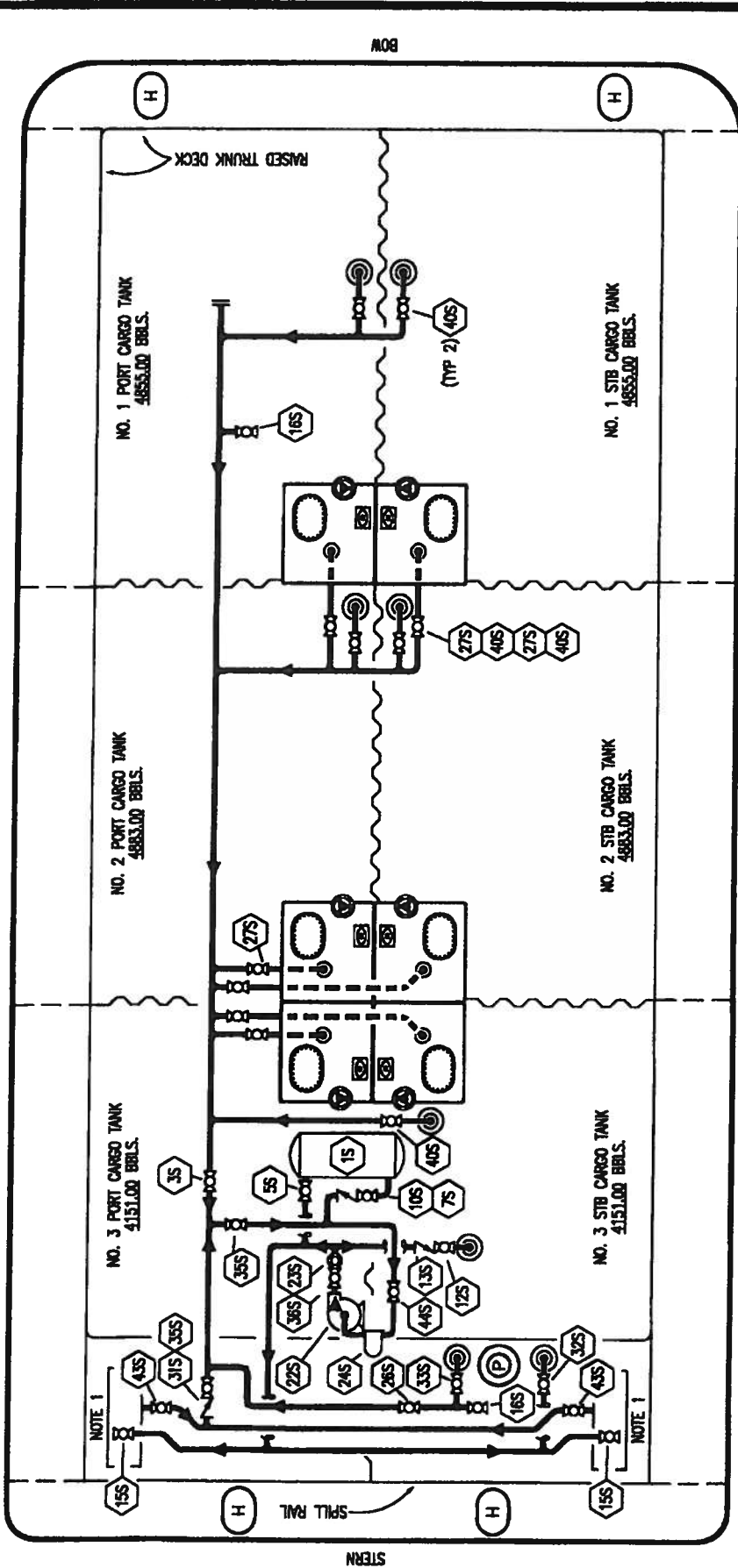
VAPOR PIPING FLOW DIAGRAM

SCALE: NONE PAGE: 2 OF 3 REV. 0

KIRBY 28133

NOTE 1: CONTAINMENT P/S

NO.	DESCRIPTION
7V	8" HEADER VALVE
8V	8" VENT STACK VALVE
10V	HIGH LEVEL/OVERFILL ALARM
11V	1 METER GAUGE STICK
12V	2" HERMETIC SAMPLE
14V	8" SIGHT GLASS
15V	INSPECTION PORT
16V	8" VAPOR VENT STACK
19V	EMERGENCY SHUTDOWN SYSTEM
21V	HERMETIC GAUGE
23V	20" BUTTERWORTH
24V	GAUGE
38V	6" PRESSURE RELIEF VALVE, HIGH VELOCITY
50V	10" VAPOR PENETRATION
51V	VAPOR HEADER
---	VAPOR PIPELINE
---	ABOVE DECK PIPING



TRINITY MARINE

KIRBY INLAND MARINE

STRIPPING PIPING FLOW DIAGRAMS

REV.	DATE	BY	CHK	APP	REVISION DESCRIPTION
0	04/20/08	WK	RB	AB	APPROVED

SCALE: NONE
PAGE: 3 OF 3

NO	DESCRIPTION
15	SLOP TANK
25	VALVE CARGO TANK
35	VALVE MAIN CARGO PIPING
55	SLOP TANK SUCTION VALVE
75	SLOP TANK VALVE
105	SLOP TANK CHECK VALVE
125	RETURN TO CARGO TANK VALVE
135	RETURN TO CARGO CHECK VALVE
155	DISCHARGE CARGO VALVE
165	REMOTE SUCTION CONNECTION
185	TYP. STRIPPING PENETRATION
225	STRIPPING PUMP
235	FLOW INDICATOR
245	BASKET STRAINER
265	STRIPPING HEADER BLOCK VALVE
275	SUMP SUCTION
315	CHECK VALVE
325	PUMP WELL PRIMER VALVE
335	PUMP WELL SUCTION
355	STRIPPING VALVE
365	STRIPPING PUMP DISCHARGE
405	CARGO TANK SUCTION
435	DRIP PAN SUCTION VALVE
445	STRIPPING PUMP SUCTION

NOTE 1: CONTAINMENT P/S
 ——— ABOVE DECK PIPING
 - - - BELOW DECK PIPING