

NOTE 1

NOTE 1

- | | | | | | | | | | | |
|-------------|------------------|------------|----------------------|-----------------|--------------|---------------|--------------|-------------|------------|-----------------|
| NO | 1C | 2C | 3C | 4C | 5C | 6C | 8C | 9C | 10C | 11C |
| DESCRIPTION | CARGO TANK VALVE | LOAD VALVE | MASTER SUCTION VALVE | DISCHARGE VALVE | HEADER VALVE | SALVAGE VALVE | RELIEF VALVE | CHECK VALVE | BURP VALVE | BLEED OFF VALVE |

- | | | | | | | | | |
|-------------|---------------------------------|--------------------------|--------------|----------------|----------------|----------------|------------|-----------------------|
| NO | 12C | 13C | 19C | 24C | 30C | 36C | 37C | 39C |
| DESCRIPTION | BURP VALVE RETURN TO CARGO TANK | CARGO PIPING BLOCK VALVE | CARGO HEADER | FLOW INDICATOR | CARGO PIPELINE | PRESSURE GAUGE | CARGO DROP | DEEP WELL DRAIN VALVE |

- | | | | | | | | | |
|-------------|---------------------------------|--------------------------|--------------|----------------|----------------|----------------|------------|-----------------------|
| NO | 12C | 13C | 19C | 24C | 30C | 36C | 37C | 39C |
| DESCRIPTION | BURP VALVE RETURN TO CARGO TANK | CARGO PIPING BLOCK VALVE | CARGO HEADER | FLOW INDICATOR | CARGO PIPELINE | PRESSURE GAUGE | CARGO DROP | DEEP WELL DRAIN VALVE |

- | | | | | | | | | |
|-------------|---------------------------------|--------------------------|--------------|----------------|----------------|----------------|------------|-----------------------|
| NO | 12C | 13C | 19C | 24C | 30C | 36C | 37C | 39C |
| DESCRIPTION | BURP VALVE RETURN TO CARGO TANK | CARGO PIPING BLOCK VALVE | CARGO HEADER | FLOW INDICATOR | CARGO PIPELINE | PRESSURE GAUGE | CARGO DROP | DEEP WELL DRAIN VALVE |

NOTE 1: CONTAINMENT P/S

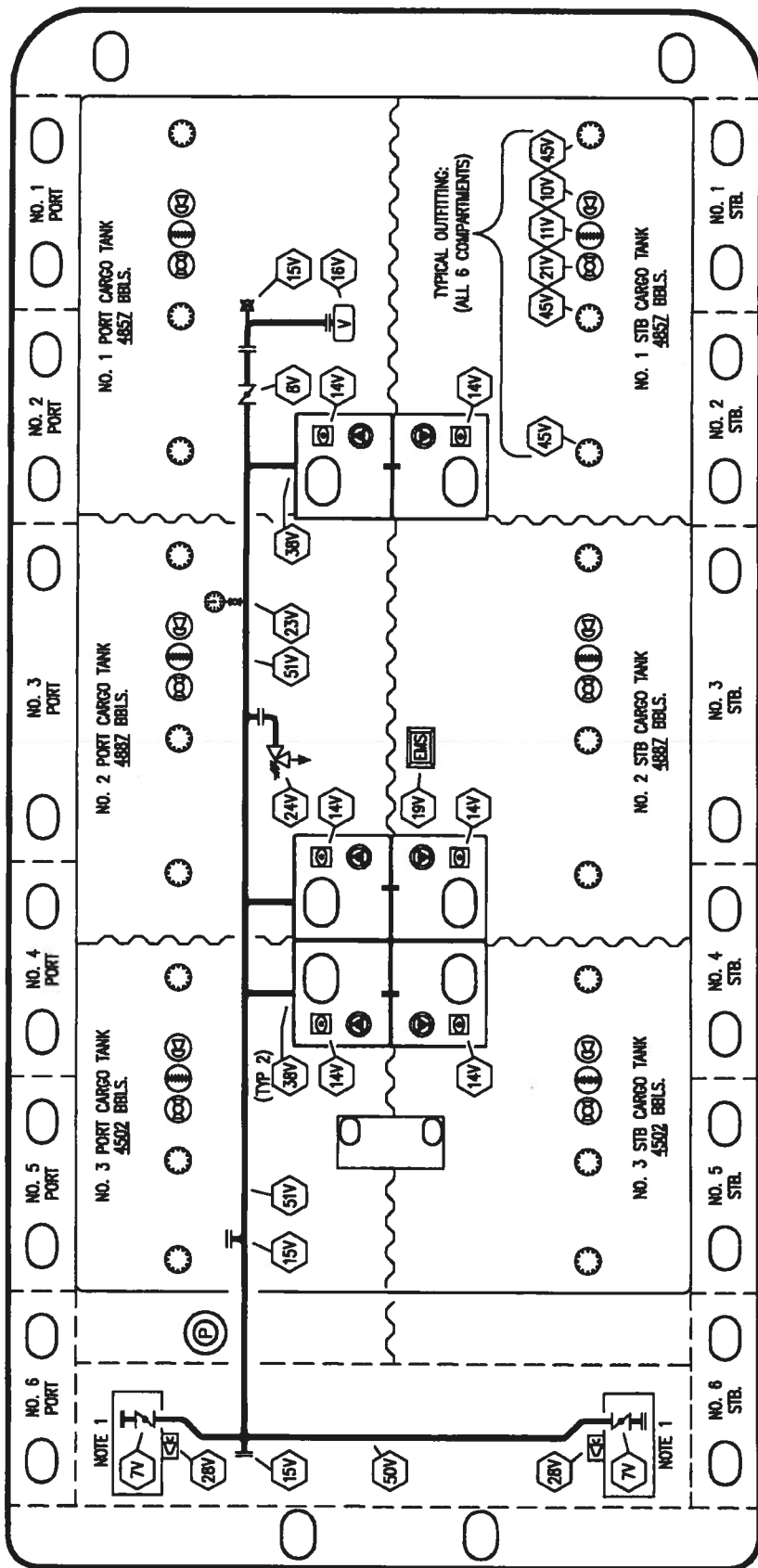
TRINITY MARINE PRODUCTS



KIRBY INLAND MARINE

CARGO PIPING FLOW DIAGRAM

REV.	0	06/01/08	RB	WK	AB	APPROVED	SCALE: NONE	REV. 0
CHK APP	BT	DATE	CHK APP	REVISION	DESCRIPTION	PAGE: 1 OF 3		



TRINITY MARINE PRODUCTS



KIRBY INLAND MARINE

VAPOR

PIPING FLOW DIAGRAM

REV. 0

KIRBY 28114

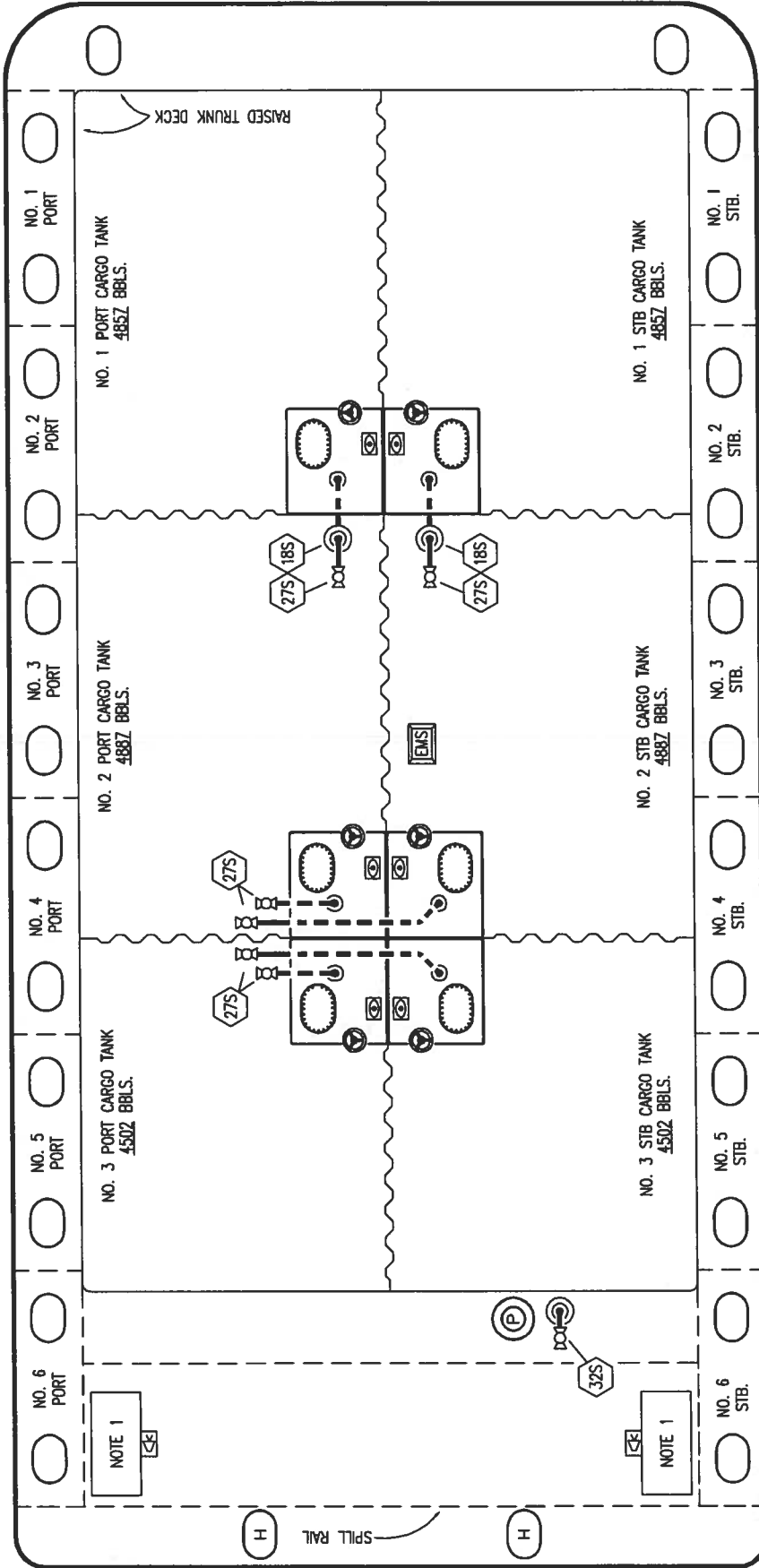
SCALE: NONE
PAGE: 2 OF 3

NOTE 1: CONTAMINANT P/S

- | | | | |
|--|--|--|---|
| <p>NO. 7V
8V
10V
11V
14V
15V
16V
19V
21V</p> | <p>DESCRIPTION
8" HEADER VALVE
8" VENT STACK VALVE
HIGH LEVEL/OVERFILL ALARM
1 METER GAUGE STICK
8" SIGHT GLASS
INSPECTION PORT
8" VAPOR VENT STACK
EMERGENCY ENGINE SHUTDOWN
HERMETIC GAUGE</p> | <p>NO. 23V
24V
28V
38V
45V
50V
51V</p> | <p>DESCRIPTION
PRES/VAC GAUGE
6" PRESSURE RELIEF VALVE, HIGH VELOCITY
DOCK CONNECTION ALARM
8" VAPOR PENETRATION
19" CLEANOUT HATCH
8" VAPOR HEADER
8" VAPOR PIPELINE
ABOVE DECK PIPING</p> |
|--|--|--|---|

REV.	DATE	BY	CHK	APP	REVISION	DESCRIPTION
0	06/01/09	RB	WK	AB	APPROVED	

BOW



STERN

NO DESCRIPTION

18S TYP. STRIPPING PENETRATION

27S SUMP SUCTION

32S PUMP WELL PRIMER VALVE

— — — — — ABOVE DECK PIPING

— — — — — BELOW DECK PIPING

TRINITY MARINE PRODUCTS



KIRBY INLAND MARINE

STRIPPING PIPING FLOW DIAGRAM

REV.	DATE	BY	CHK	APP	REVISION DESCRIPTION
1	07/04/12	DCB	DDA		REMOVED STRIPPING
0	06/01/09	RB	WK	AB	APPROVED

SCALE: NONE
PAGE: 3 OF 3

KIRBY 28114

REV. **1**

NOTE 1: CONTAINMENT PORT & STARBOARD