

NOTE 1

NOTE 1

- |     |                      |     |                                 |
|-----|----------------------|-----|---------------------------------|
| NO  | DESCRIPTION          | NO  | DESCRIPTION                     |
| 1C  | CARGO TANK VALVE     | 12C | BURP VALVE RETURN TO CARGO TANK |
| 2C  | LOAD VALVE           | 13C | CARGO PIPING BLOCK VALVE        |
| 3C  | MASTER SUCTION VALVE | 19C | CARGO HEADER                    |
| 4C  | DISCHARGE VALVE      | 24C | FLOW INDICATOR                  |
| 5C  | HEADER VALVE         | 30C | CARGO PIPELINE                  |
| 6C  | SALVAGE VALVE        | 36C | PRESSURE GAUGE                  |
| 8C  | RELIEF VALVE         | 37C | CARGO DROP                      |
| 9C  | CHECK VALVE          | 38C | DEEP WELL DRAIN VALVE           |
| 10C | BURP VALVE           | --- | ABOVE DECK PIPING               |
| 11C | BLEED OFF VALVE      | --- | BELOW DECK PIPING               |

NOTE 1: CONTAINMENT P/S

TRINITY MARINE PRODUCTS



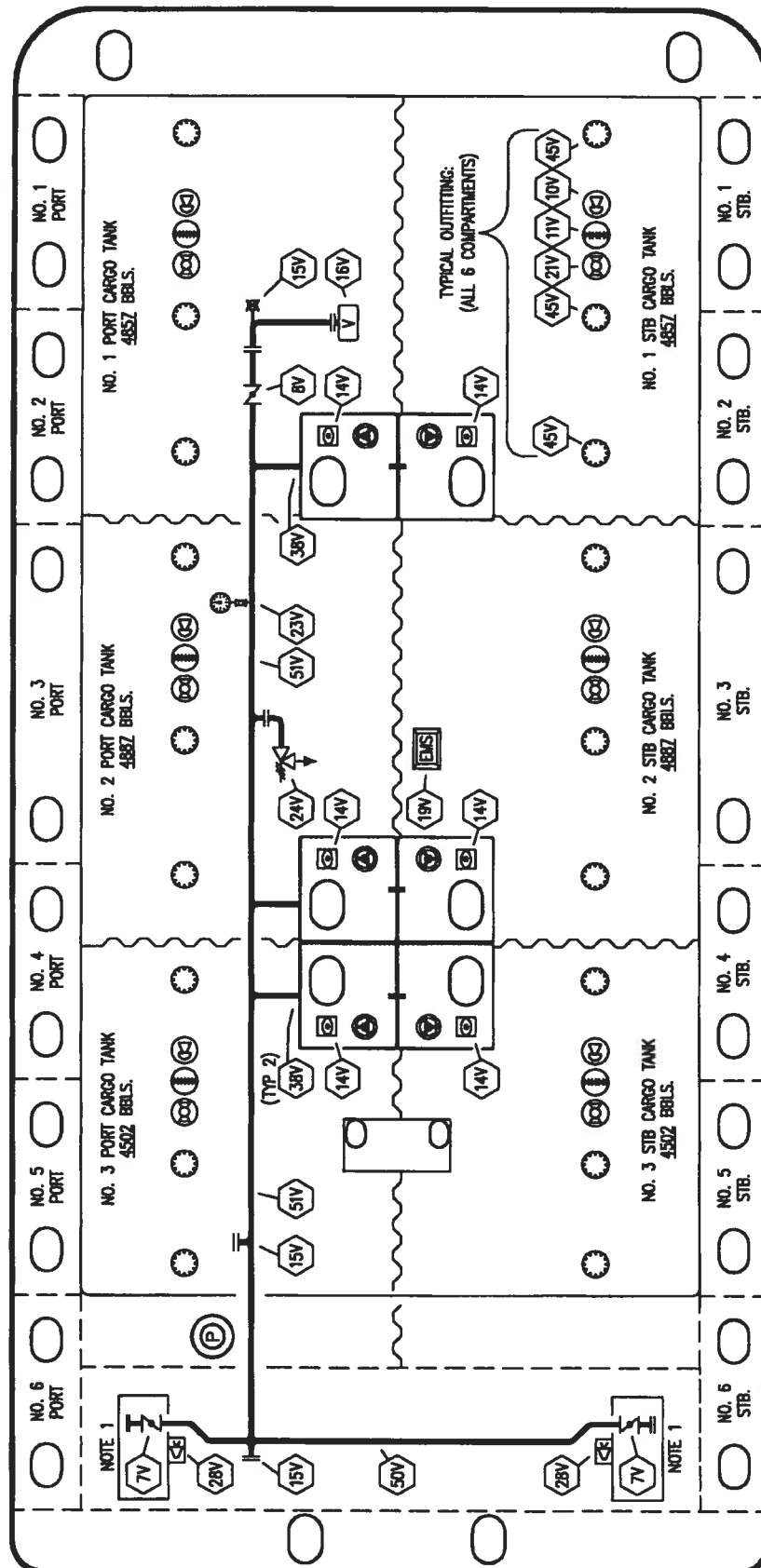
**KIRBY INLAND MARINE**

**CARGO PIPING FLOW DIAGRAM**

REV.	0	106/01/09	RB	WK	AB	APPROVED
SCALE:	NONE					
PAGE:	1	OF	3			
REV.	0					

**KIRBY 28113**

808



TRINITY MARINE PRODUCTS

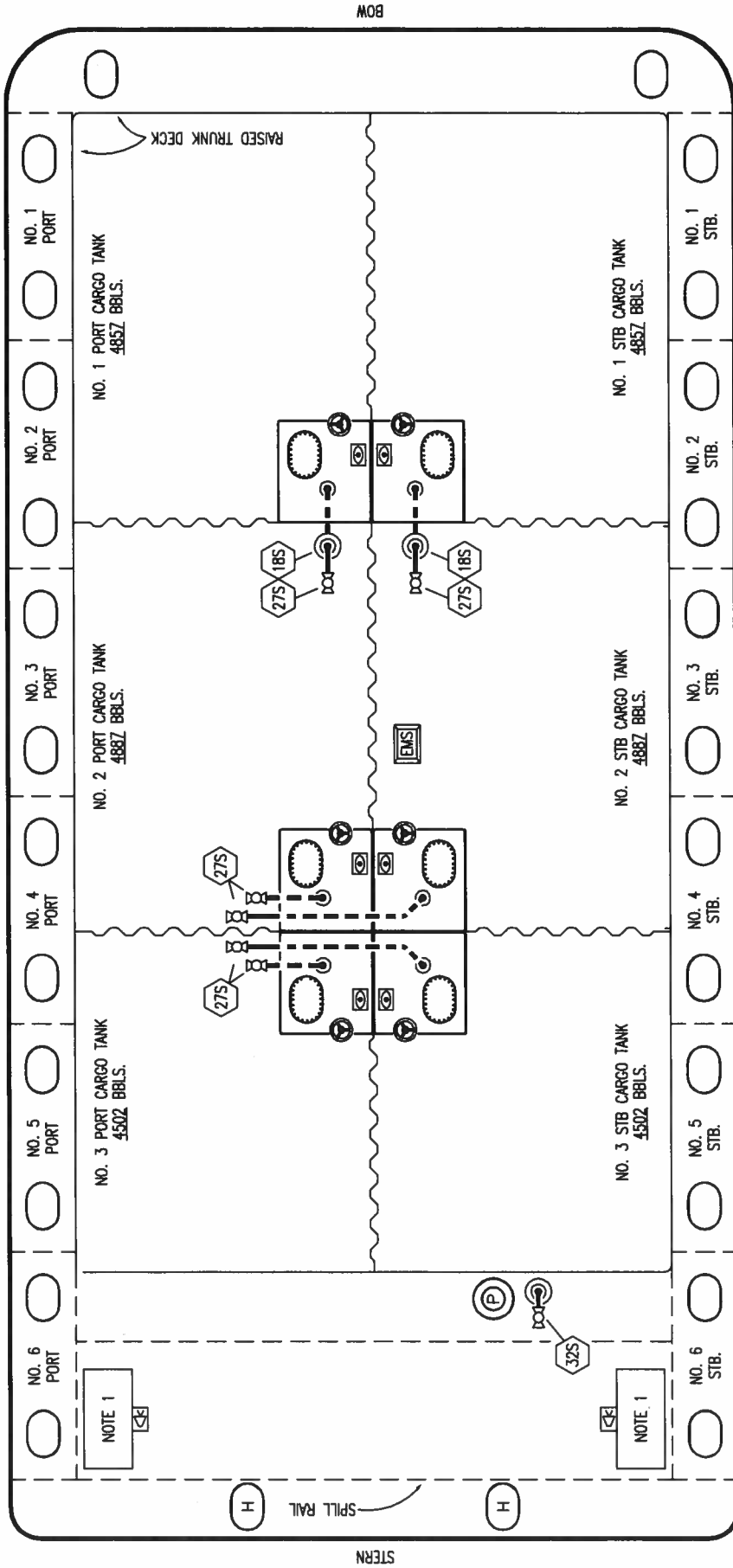
KIRBY INLAND MARINE

VAPOR PIPING FLOW DIAGRAM

REV.	DATE	BY	CHK/APP	WK	AB	APPROVED	SCALE:	NONE	PAGE:	2 OF 3	REV.	0

NOTE 1: CONTAINMENT P/S

<p>NO. 7V 8V 10V 11V 14V 15V 16V 19V 21V 24V 28V 38V 45V</p> <p>DESCRIPTION: 8" HEADER VALVE, 8" VENT STACK VALVE, HIGH LEVEL/OVERTILL ALARM, 1 METER GAUGE STICK, 8" SIGHT GLASS, INSPECTION PORT, 8" VAPOR VENT STACK, EMERGENCY ENGINE SHUTDOWN, HERMETIC GAUGE.</p>	<p>NO. 23V 24V 28V 38V 45V 50V 51V</p> <p>DESCRIPTION: PRES./VAC GAUGE, 6" PRESSURE RELIEF VALVE, HIGH VELOCITY DOCK CONNECTION ALARM, 8" VAPOR PENETRATION, 19" CLEANOUT HATCH, 8" VAPOR HEADER, 8" VAPOR PIPELINE, ABOVE DECK PIPING.</p>
---	---



- NO** DESCRIPTION
- 18S TYP. STRIPPING PENETRATION (C)
  - 27S SUMP SUCTION
  - 32S PUMP WELL PRIMER VALVE
  - ABOVE DECK PIPING
  - - - BELOW DECK PIPING

NOTE 1: CONTAINMENT PORT & STARBOARD

TRINITY MARINE PRODUCTS

		<b>STRIPPING PIPING FLOW DIAGRAM</b>		SCALE: NONE	REV. 1
				PAGE: 3 OF 3	
REV.	DATE	BY	CHK/APP	REVISION DESCRIPTION	
1	06/15/12	DCB	DDA	REMOVED STRIPPING	
0	06/01/09	RB	AB	APPROVED	

REV. 1

**KIRBY 28113**