

NOTE 1: CONTAINMENT P/S

NO	DESCRIPTION	NO	DESCRIPTION
1C	CARGO TANK VALVE	19C	CARGO HEADER
2C	LOAD VALVE	30C	CARGO PIPELINE
3C	MASTER SUCTION VALVE	37C	CARGO DROP
4C	DISCHARGE VALVE	1S	SLOP TANK (3000 GAL)
5C	HEADER VALVE	—	— ABOVE DECK PIPING
9C	CARGO CHECK VALVE	- - -	- - - BELOW DECK PIPING
13C	CARGO BLOCK VALVE		

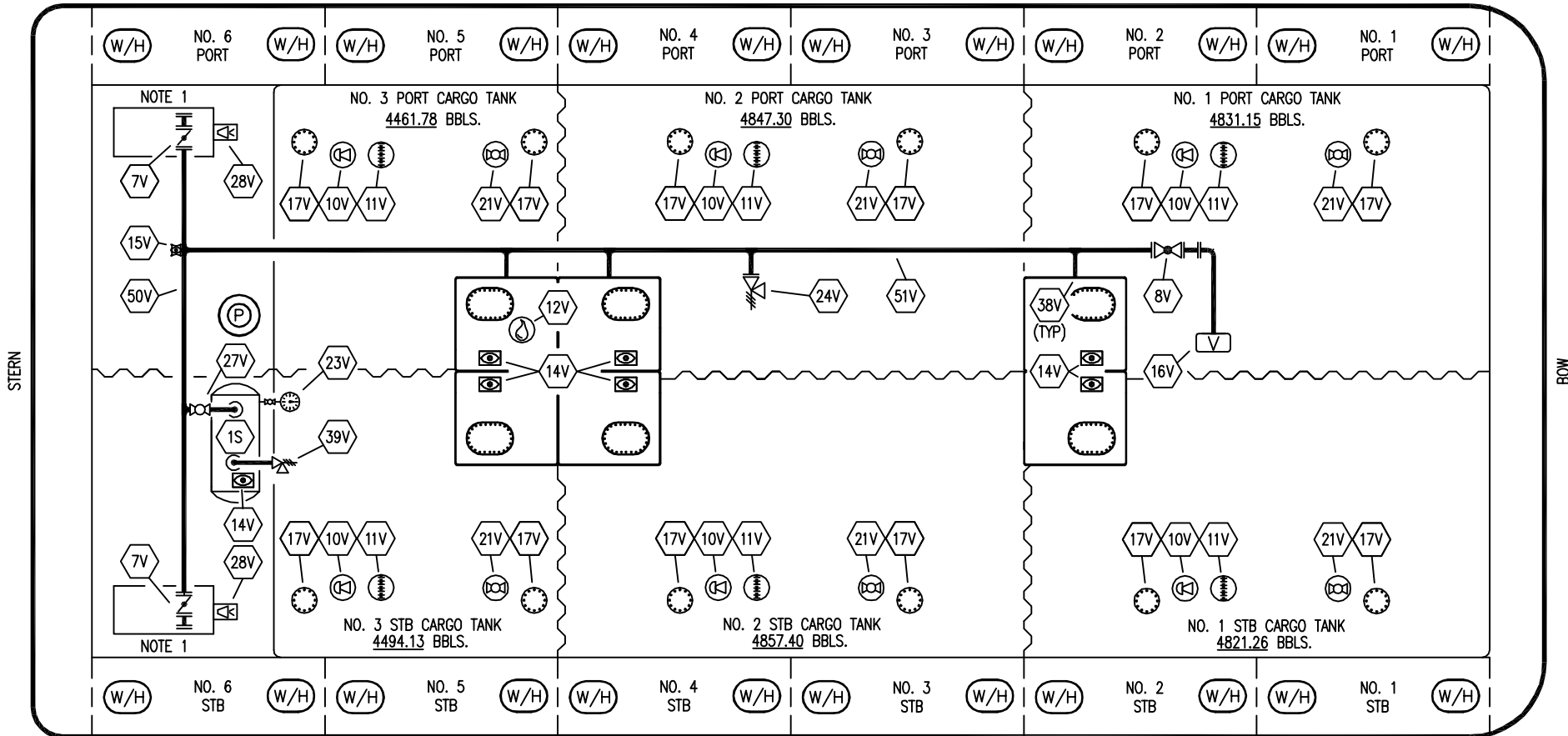
TRINITY MARINE

1	12/01/16	WFB	DDA		REVISED PER CLIENT COMMENTS
0	04/20/09	WK	RB	OF	APPROVED
REV.	DATE	BY	CHK	APP	REVISION DESCRIPTION

KIRBY INLAND MARINE

**CARGO
PIPING FLOW DIAGRAM**

SCALE: NONE	KIRBY 28085	REV. 1
PAGE: 1 OF 3		



NO	SIZE	DESCRIPTION	NO	SIZE	DESCRIPTION
1S		SLOP TANK (3000 GAL.)	23V	1/4"	PRESSURE/VAC GAUGE
7V	8"	HEADER VALVE	24V	6"	PRESSURE RELIEF VALVE
8V	8"	VENT STACK VALVE	27V	2"	SLOP TANK VENT VALVE
10V	8"	HIGH LEVEL/OVERFILL ALARM	28V		HIGH LEVEL DOCK ALARM
11V	8"	1 METER GAUGE STICK	38V		VAPOR PENETRATION
12V	2"	HERMETIC SAMPLE	39V		PRESSURE/VACUUM VALVE
14V	8"	SIGHT GLASS	50V		VAPOR HEADER
15V	2"	INSPECTION PORT	51V		VAPOR PIPELINE
16V	8"	VAPOR VENT STACK			ABOVE DECK PIPING
17V	19"	BUTTERWORTH			
19V		EMERGENCY SHUTDOWN			
21V	2"				

NOTE 1: CONTAINMENT P/S

TRINITY MARINE

KIRBY INLAND MARINE 

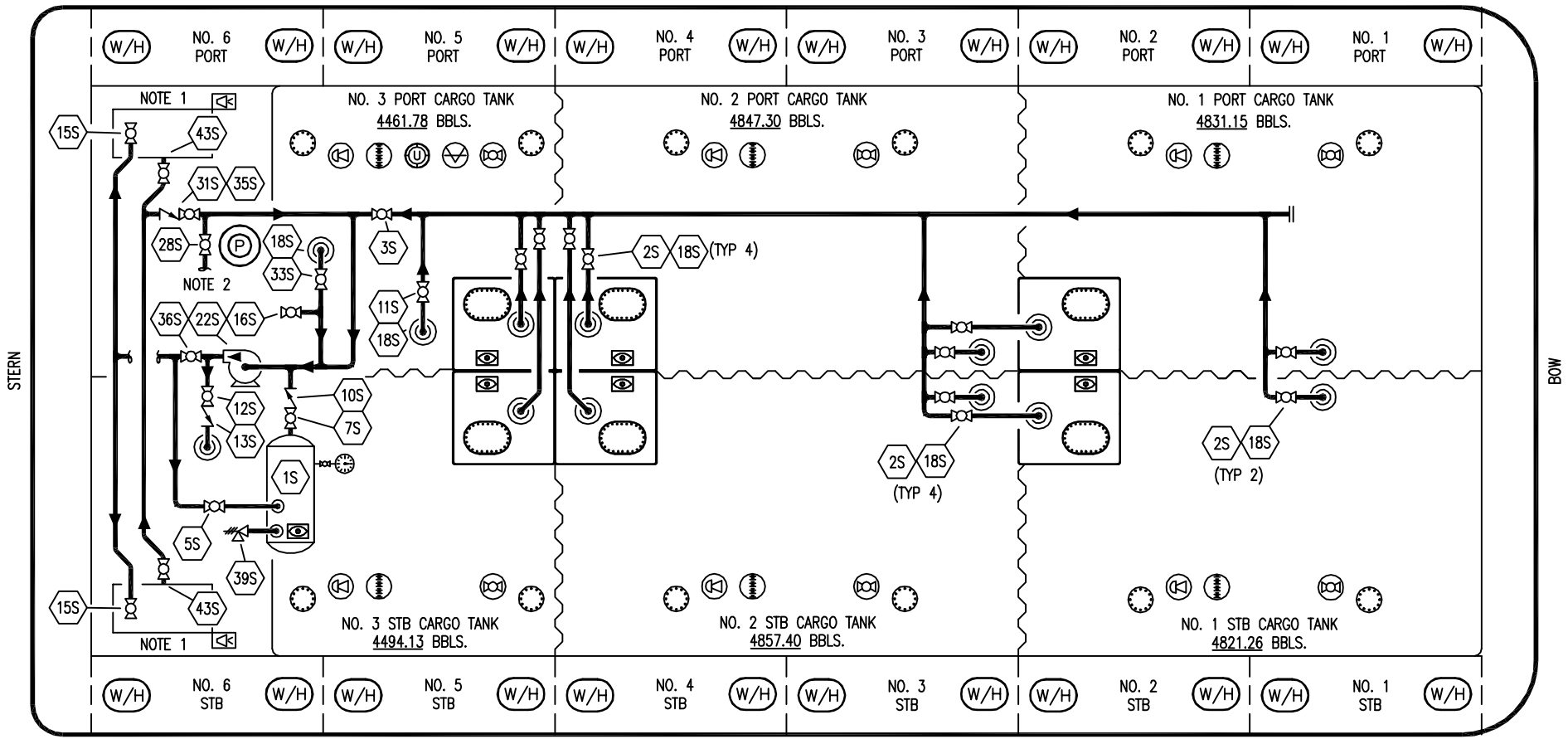
**VAPOR
PIPING FLOW DIAGRAM**

0	04/20/09	WK	RB	OF	APPROVED
REV.	DATE	BY	CHK	APP	REVISION DESCRIPTION

SCALE: NONE
PAGE: 2 OF 3

KIRBY 28085

REV. **0**



- | | | | |
|-----|------------------------------|-----|------------------------------|
| NO | DESCRIPTION | NO | DESCRIPTION |
| 1S | SLOP TANK | 18S | STRIPPING DROP |
| 2S | VALVE CARGO TANK | 22S | STRIPPING PUMP |
| 3S | VALVE MAIN CARGO PIPING | 26S | STRIPPING HEADER BLOCK VALVE |
| 5S | SLOP TANK SUCTION VALVE | 28S | CARGO HEADER STRIPPING VALVE |
| 7S | SLOP TANK VALVE | 31S | CHECK VALVE |
| 10S | SLOP TANK CHECK VALVE | 33S | PUMP WELL SUCTION |
| 11S | CARGO PIPELINE SUCTION VALVE | 35S | STRIPPING VALVE |
| 12S | RETURN TO CARGO TANK VALVE | 36S | STRIPPING PUMP DISCHARGE |
| 13S | RETURN TO CARGO CHECK VALVE | 39S | PRESSURE/ VACUUM VALVE |
| 15S | DISCHARGE CARGO VALVE | 43S | DRIP PAN SUCTION VALVE |
| 16S | REMOTE SUCTION CONNECTION | — | ABOVE DECK PIPING |

NOTE 1: CONTAINMENT P/S
 NOTE 2: TO CARGO PUMP DISCHARGE

TRINITY MARINE

<h2 style="margin: 0;">KIRBY INLAND MARINE</h2> <h3 style="margin: 0;">STRIPPING</h3> <h3 style="margin: 0;">PIPING FLOW DIAGRAM</h3>									
0	04/20/09	WK	RB	OF	APPROVED				
REV.	DATE	BY	CHK	APP	REVISION DESCRIPTION				
<table border="1" style="float: right; border-collapse: collapse;"> <tr> <td style="padding: 2px;">SCALE: NONE</td> <td rowspan="2" style="font-size: 24pt; font-weight: bold; padding: 5px;">KIRBY 28085</td> <td style="padding: 2px;">REV. 0</td> </tr> <tr> <td style="padding: 2px;">PAGE: 3 OF 3</td> </tr> </table>						SCALE: NONE	KIRBY 28085	REV. 0	PAGE: 3 OF 3
SCALE: NONE	KIRBY 28085	REV. 0							
PAGE: 3 OF 3									