

- | | | | |
|-----|----------------------|-----|-----------------------|
| NO | DESCRIPTION | NO | DESCRIPTION |
| 1C | CARGO TANK VALVE | 19C | CARGO HEADER |
| 2C | LOAD VALVE | 30C | CARGO PIPELINE |
| 3C | MASTER SUCTION VALVE | 37C | CARGO DROP |
| 4C | DISCHARGE VALVE | 1S | SLOP TANK (3000 GAL) |
| 5C | HEADER VALVE | — | — ABOVE DECK PIPING |
| 8C | RELIEF VALVE | --- | --- BELOW DECK PIPING |
| 9C | CARGO CHECK VALVE | | |
| 13C | CARGO BLOCK VALVE | | |

NOTE 1: CONTAINMENT P/S

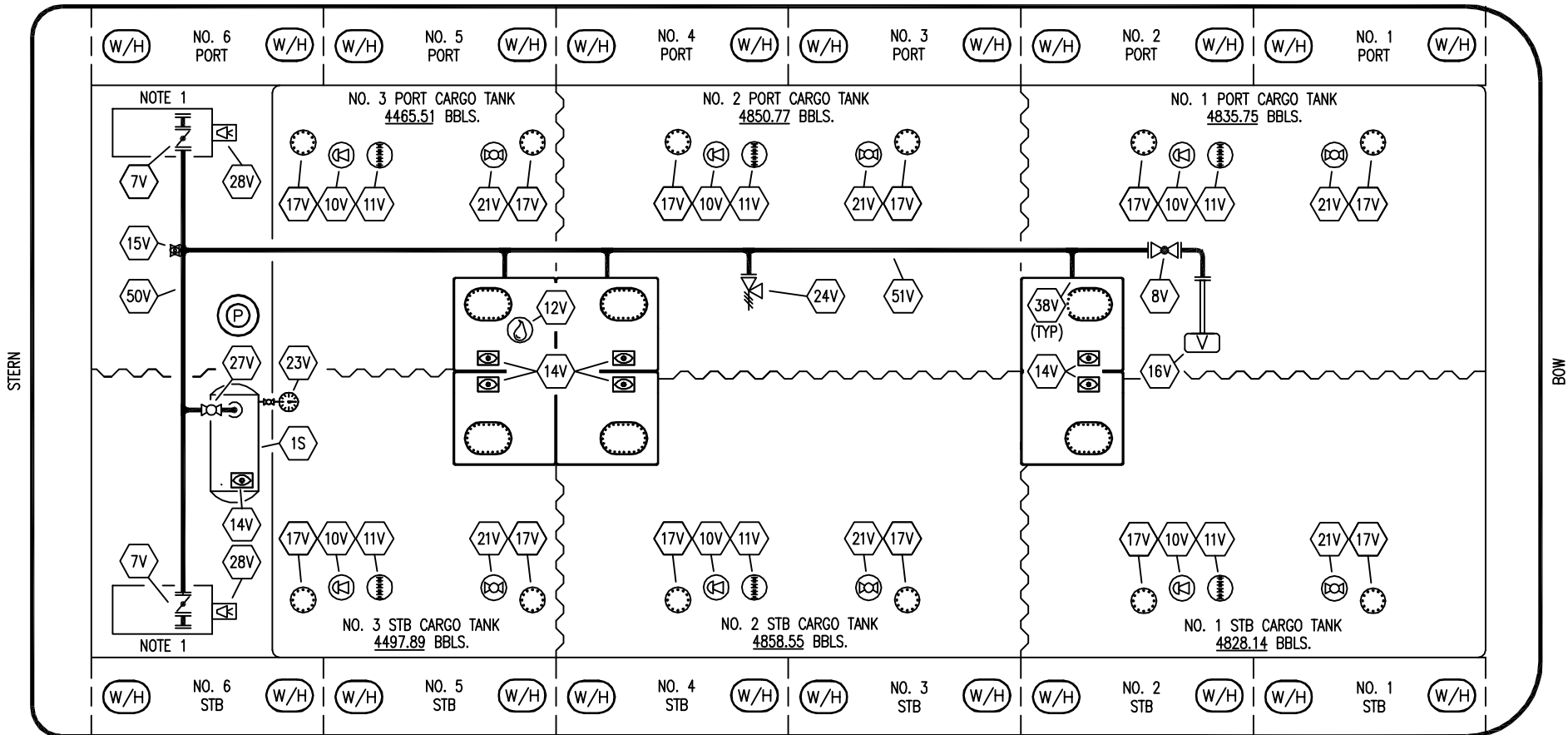
TRINITY MARINE

1	11-18-16	WFB	DDA		REVISED PER CLIENT COMMENTS
0	03-23-09	RB	RB	OF	APPROVED
REV.	DATE	BY	CHK	APP	REVISION DESCRIPTION

KIRBY INLAND MARINE

CARGO
PIPING FLOW DIAGRAM

SCALE: NONE	KIRBY 28082	REV. 1
PAGE: 1 OF 3		



STERN

BOW

NO	SIZE	DESCRIPTION	NO	SIZE	DESCRIPTION
1S		SLOP TANK (3000 GAL.)	21V	2"	HERMETIC GAUGE
7V	8"	HEADER VALVE	23V	1/4"	PRESSURE/VAC GAUGE
8V	8"	VENT STACK VALVE	24V	6"	PRESSURE RELIEF VALVE
10V	8"	HIGH LEVEL/OVERFILL ALARM	27V	2"	SLOP TANK VENT VALVE
11V	8"	1 METER GAUGE STICK	28V		HIGH LEVEL DOCK ALARM
12V	2"	HERMETIC SAMPLE	38V		VAPOR PENETRATION
14V	8"	SIGHT GLASS	50V		VAPOR HEADER
15V	2"	INSPECTION PORT	51V		VAPOR PIPELINE
16V	8"	VAPOR VENT STACK			— ABOVE DECK PIPING
17V	19"	BUTTERWORTH			
19V		EMERGENCY SHUTDOWN SYSTEM			

NOTE 1: CONTAINMENT P/S

TRINITY MARINE

KIRBY INLAND MARINE 

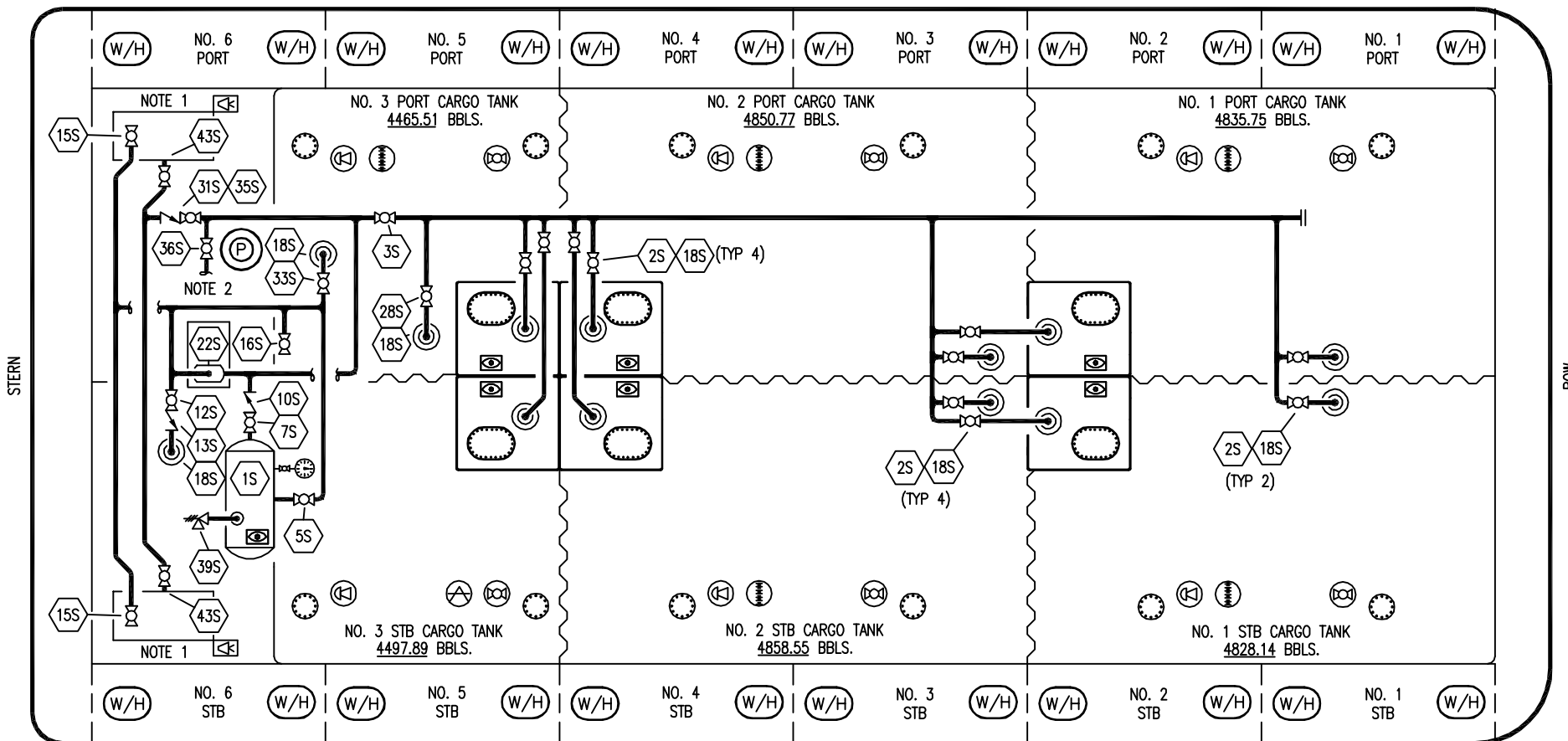
VAPOR
PIPING FLOW DIAGRAM

REV.	DATE	BY	CHK	APP	REVISION DESCRIPTION
0	03-23-09	RB	RB	OF	APPROVED

SCALE: NONE
PAGE: 2 OF 3

KIRBY 28082

REV. 0



NO	DESCRIPTION	NO	DESCRIPTION
1S	SLOP TANK	22S	STRIPPING PUMP
2S	VALVE CARGO TANK	26S	STRIPPING HEADER BLOCK VALVE
3S	VALVE MAIN CARGO PIPING	28S	CARGO HEADER VALVE
5S	SLOP TANK SUCTION VALVE	31S	CHECK VALVE
7S	SLOP TANK VALVE	33S	PUMP WELL SUCTION
10S	SLOP TANK CHECK VALVE	35S	STRIPPING VALVE
12S	RETURN TO CARGO TANK VALVE	36S	STRIPPING PUMP DISCHARGE
13S	RETURN TO CARGO CHECK VALVE	39S	P/V VALVE
15S	DISCHARGE CARGO VALVE	43S	DRIP PAN SUCTION VALVE
16S	REMOTE SUCTION CONNECTION		
18S	STRIPPING DROP		

NOTE 1: CONTAINMENT P/S
NOTE 2: TO CARGO PUMP DISCHARGE

TRINITY MARINE

KIRBY INLAND MARINE



STRIPPING
PIPING FLOW DIAGRAM

REV.	DATE	BY	CHK	APP	REVISION DESCRIPTION
0	03-23-09	RB	RB	OF	APPROVED

SCALE: NONE
PAGE: 3 OF 3

KIRBY 28082

REV. 0