

NOTE 1: CONTAINMENT P/S

NO	DESCRIPTION	NO	DESCRIPTION
1C	CARGO TANK VALVE	19C	CARGO HEADER
2C	LOAD VALVE	30C	CARGO PIPELINE
3C	MASTER SUCTION VALVE	37C	CARGO DROP
4C	DISCHARGE VALVE	1S	SLOP TANK (3000 GAL)
5C	HEADER VALVE	—	— ABOVE DECK PIPING
6C	SALVAGE VALVE	- - -	- - - BELOW DECK PIPING
9C	CARGO CHECK VALVE		
13C	CARGO BLOCK VALVE		

TRINITY MARINE

KIRBY INLAND MARINE 

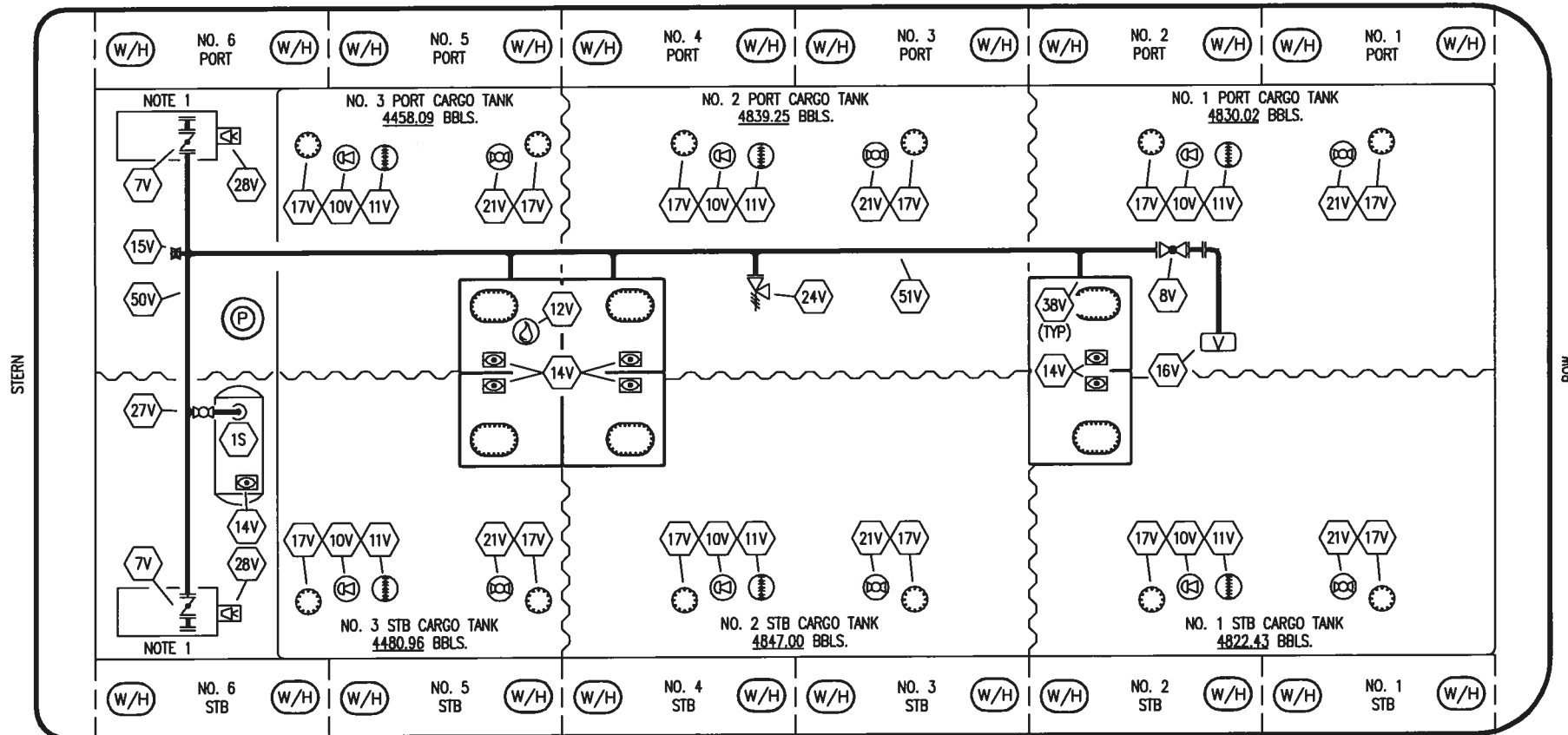
**CARGO
PIPING FLOW DIAGRAM**

0	04/20/09	WK	RB	OF	APPROVED
REV.	DATE	BY	CHK	APP	REVISION DESCRIPTION

SCALE: NONE
PAGE: 1 OF 3

KIRBY 28076

REV. 0



- | | |
|-----|------------------------------|
| NO | DESCRIPTION |
| 1S | SLOP TANK (3000 GAL.) |
| 7V | 8" HEADER VALVE |
| 8V | 8" VENT STACK VALVE |
| 10V | 8" HIGH LEVEL/OVERFILL ALARM |
| 11V | 8" 1 METER GAUGE STICK |
| 12V | 2" HERMETIC SAMPLE |
| 14V | 8" SIGHT GLASS |
| 15V | 2" INSPECTION PORT |
| 16V | 8" VAPOR VENT STACK |
| 17V | 19" BUTTERWORTH |

- | | |
|-----|--------------------------|
| NO | DESCRIPTION |
| 19V | EMERGENCY SHUTDOWN |
| 21V | 2" HERMETIC GAUGE |
| 24V | 6" PRESSURE RELIEF VALVE |
| 27V | 2" SLOP TANK VENT VALVE |
| 28V | HIGH LEVEL DOCK ALARM |
| 38V | VAPOR PENETRATION |
| 50V | VAPOR HEADER |
| 51V | VAPOR PIPELINE |
| — | ABOVE DECK PIPING |

NOTE 1: CONTAINMENT P/S

TRINITY MARINE

KIRBY INLAND MARINE



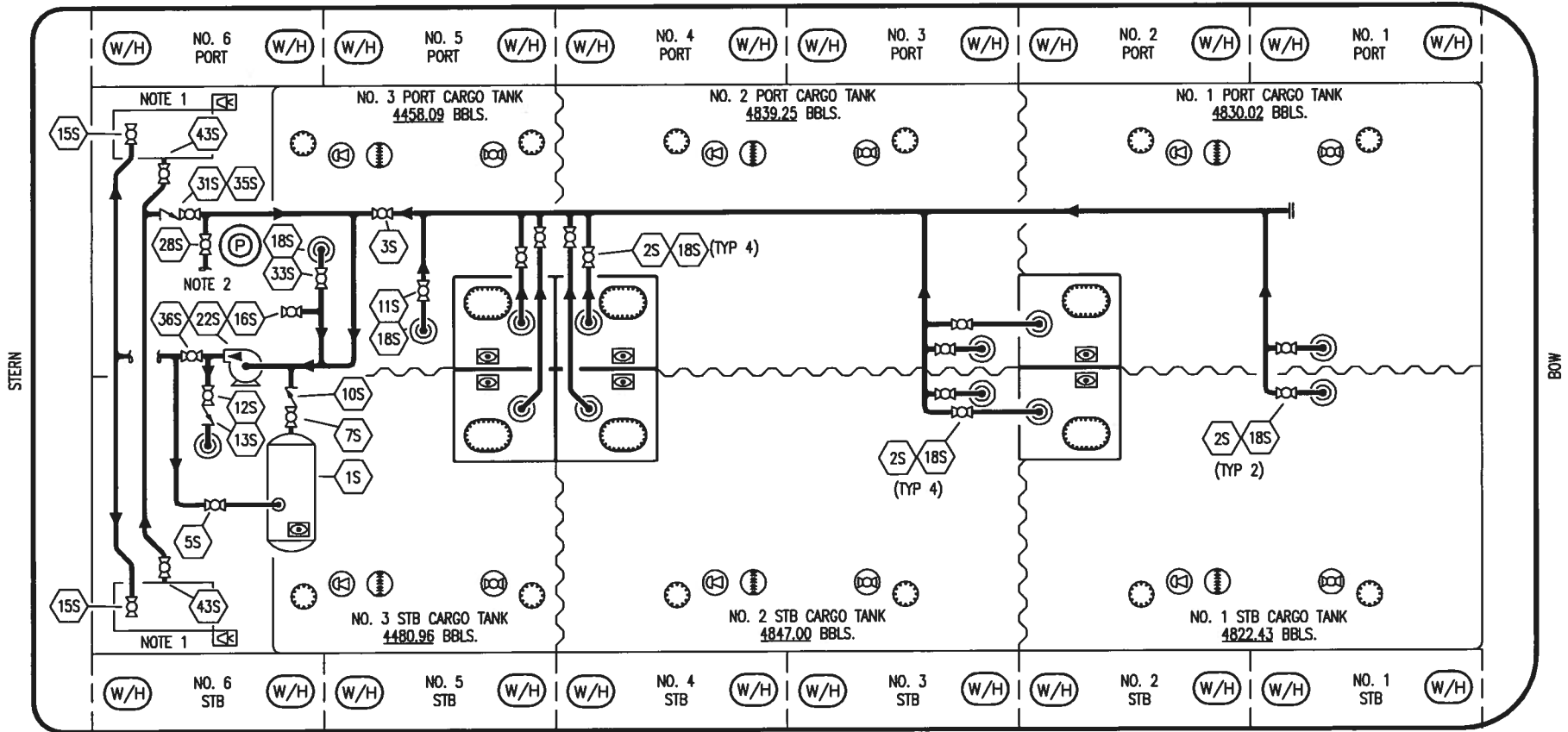
**VAPOR
PIPING FLOW DIAGRAM**

0	04/20/09	WK	RB	OF	APPROVED
REV.	DATE	BY	CHK	APP	REVISION DESCRIPTION

SCALE: NONE
PAGE: 2 OF 3

KIRBY 28076

REV. **0**



NO	DESCRIPTION	NO	DESCRIPTION
1S	SLOP TANK	18S	STRIPPING DROP (C)
2S	VALVE CARGO TANK	22S	STRIPPING PUMP
3S	VALVE MAIN CARGO PIPING	26S	STRIPPING HEADER BLOCK VALVE
5S	SLOP TANK SUCTION VALVE	28S	CARGO HEADER STRIPPING VALVE
7S	SLOP TANK VALVE	31S	CHECK VALVE
10S	SLOP TANK CHECK VALVE	33S	PUMP WELL SUCTION
11S	CARGO PIPELINE SUCTION VALVE	35S	STRIPPING VALVE
12S	RETURN TO CARGO TANK VALVE	36S	STRIPPING PUMP DISCHARGE
13S	RETURN TO CARGO CHECK VALVE	39S	PRESSURE/ VACUUM VALVE
15S	DISCHARGE CARGO VALVE	43S	DRIP PAN SUCTION VALVE
16S	REMOTE SUCTION CONNECTION	—	ABOVE DECK PIPING

NOTE 1: CONTAINMENT P/S
 NOTE 2: TO CARGO PUMP DISCHARGE

TRINITY MARINE

0	04/20/09	WK	RB	OF	APPROVED
REV.	DATE	BY	CHK	APP	REVISION DESCRIPTION

KIRBY INLAND MARINE

**STRIPPING
PIPING FLOW DIAGRAM**

SCALE: NONE	KIRBY 28076	REV. 0
PAGE: 3 OF 3		