

NOTE 1: CONTAINMENT P/S

NO	DESCRIPTION	NO	DESCRIPTION
1C	CARGO TANK VALVE	19C	CARGO HEADER
2C	LOAD VALVE	30C	CARGO PIPELINE
3C	MASTER SUCTION VALVE	37C	CARGO DROP
4C	DISCHARGE VALVE	1S	SLOP TANK (3000 GAL)
5C	HEADER VALVE	—	— ABOVE DECK PIPING
6C	SALVAGE VALVE	- - -	- - - BELOW DECK PIPING
9C	CARGO CHECK VALVE		
13C	CARGO BLOCK VALVE		

TRINITY MARINE

KIRBY INLAND MARINE 

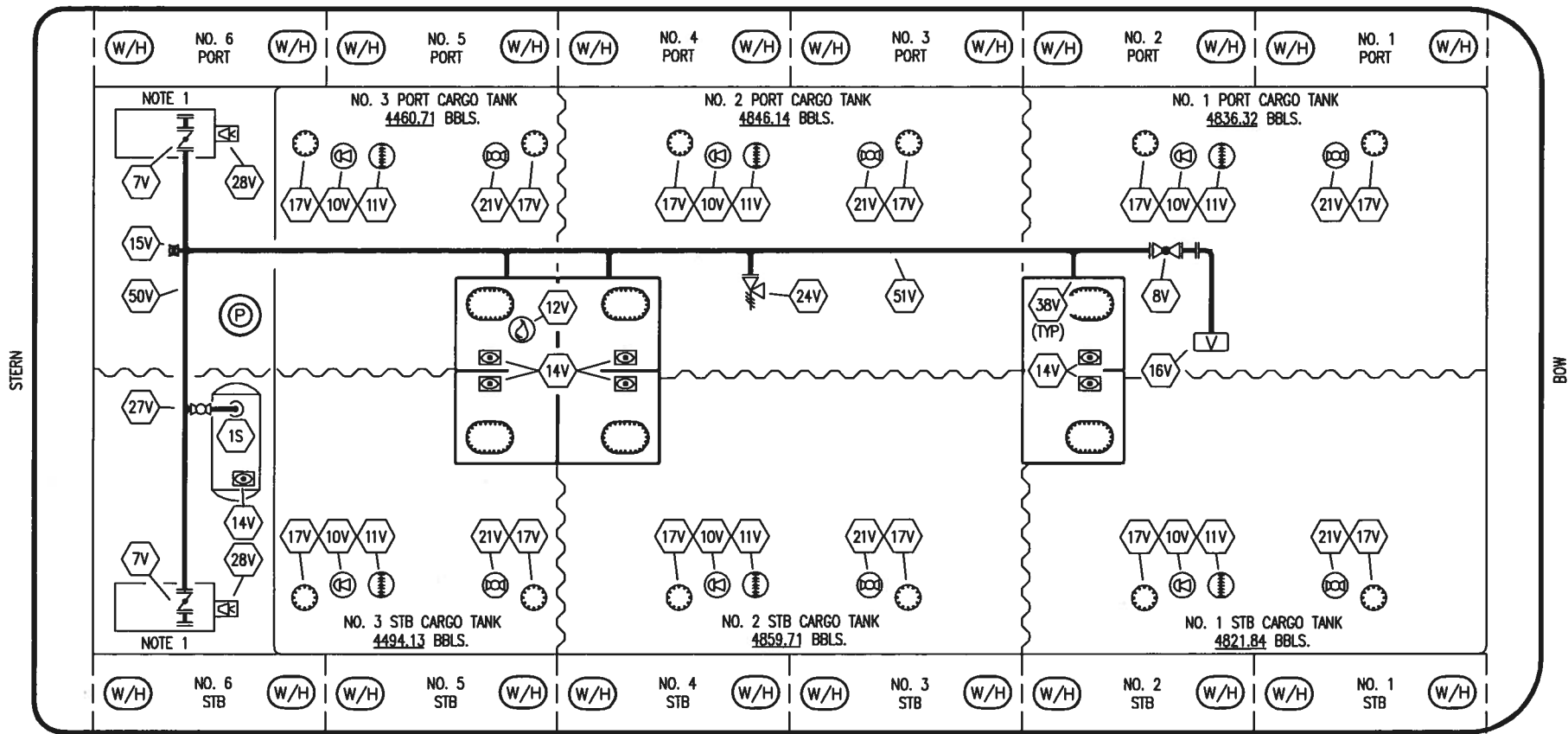
**CARGO
PIPING FLOW DIAGRAM**

0	04/20/09	WK	RB	OF	APPROVED
REV.	DATE	BY	CHK	APP	REVISION DESCRIPTION

SCALE: NONE
PAGE: 1 OF 3

KIRBY 28075

REV. **0**



- | | | | |
|-----|------------------------------|-----|--------------------------|
| NO | DESCRIPTION | NO | DESCRIPTION |
| 1S | SLOP TANK (3000 GAL.) | 19V | EMERGENCY SHUTDOWN |
| 7V | 8" HEADER VALVE | 21V | 2" HERMETIC GAUGE |
| 8V | 8" VENT STACK VALVE | 24V | 6" PRESSURE RELIEF VALVE |
| 10V | 8" HIGH LEVEL/OVERFILL ALARM | 27V | 2" SLOP TANK VENT VALVE |
| 11V | 8" 1 METER GAUGE STICK | 28V | HIGH LEVEL DOCK ALARM |
| 12V | 2" HERMETIC SAMPLE | 38V | VAPOR PENETRATION |
| 14V | 8" SIGHT GLASS | 50V | VAPOR HEADER |
| 15V | 2" INSPECTION PORT | 51V | VAPOR PIPELINE |
| 16V | 8" VAPOR VENT STACK | — | ABOVE DECK PIPING |
| 17V | 19" BUTTERWORTH | | |

NOTE 1: CONTAINMENT P/S

TRINITY MARINE

KIRBY INLAND MARINE 

**VAPOR
PIPING FLOW DIAGRAM**

0	04/20/09	WK	RB	OF	APPROVED
REV.	DATE	BY	CHK	APP	REVISION DESCRIPTION

SCALE: NONE
PAGE: 2 OF 3

KIRBY 28075 REV. **0**

