

NOTE 1: CONTAINMENT P/S

NO	DESCRIPTION	NO	DESCRIPTION
1C	CARGO TANK VALVE	19C	CARGO HEADER
2C	LOAD VALVE	30C	CARGO PIPELINE
3C	MASTER SUCTION VALVE	37C	CARGO DROP
4C	DISCHARGE VALVE	1S	SLOP TANK (3000 GAL)
5C	HEADER VALVE	—	— ABOVE DECK PIPING
6C	SALVAGE VALVE	---	--- BELOW DECK PIPING
8C	RELIEF VALVE		
9C	CARGO CHECK VALVE		
13C	CARGO BLOCK VALVE		

TRINITY MARINE

REV.	DATE	BY	CHK	APP	REVISION DESCRIPTION
1	02-03-14	GP	GP	OF	REVISED PER CLIENT
0	03-23-09	RB	RB	OF	APPROVED

KIRBY INLAND MARINE 

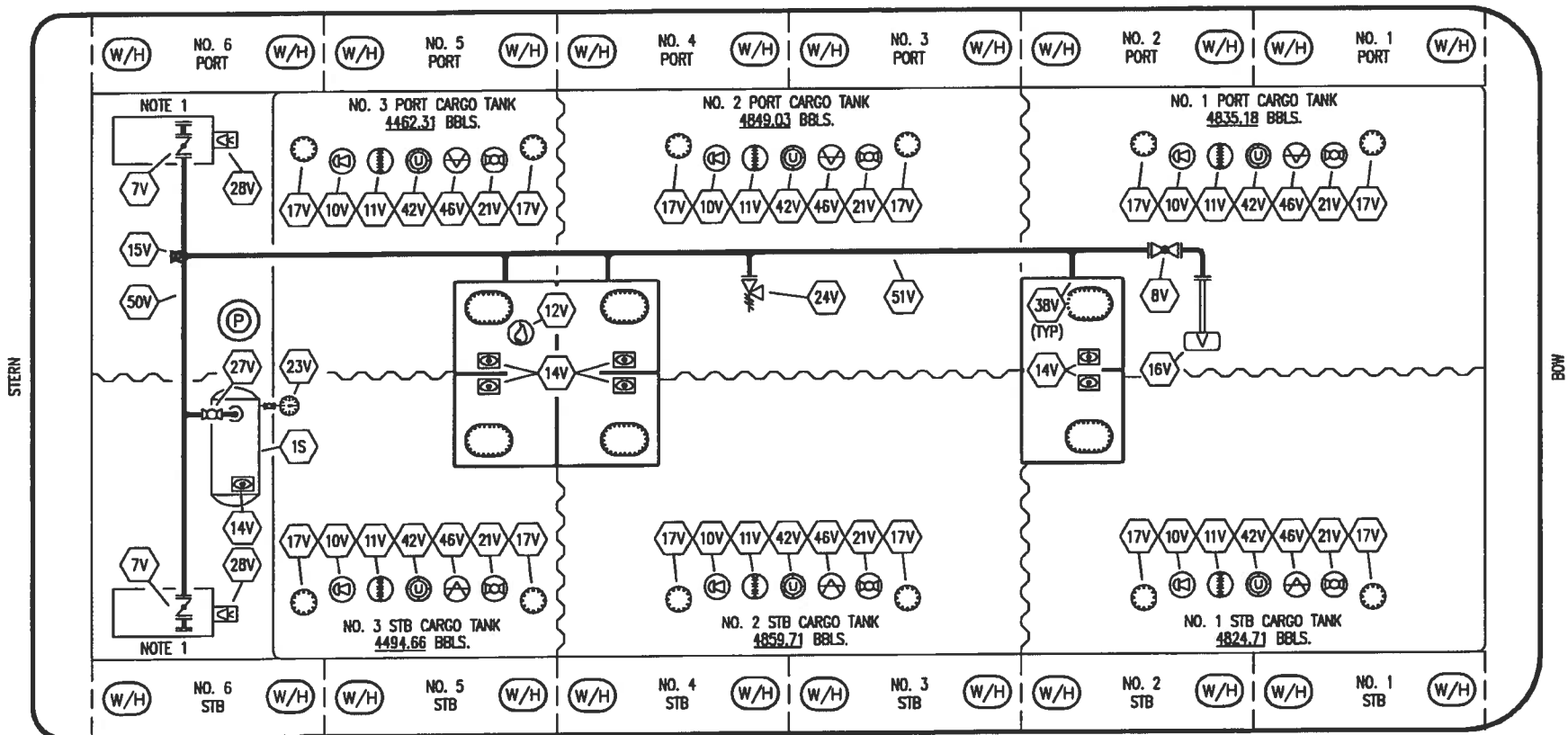
**CARGO
PIPING FLOW DIAGRAM**

SCALE: NONE

PAGE: 1 OF 3

KIRBY 28074

REV. **1**



NO	SIZE	DESCRIPTION	NO	SIZE	DESCRIPTION
15		SLOP TANK (3000 GAL.)	23V	1/4"	PRESSURE/VAC GAUGE
7V	8"	HEADER VALVE	24V	6"	PRESSURE RELIEF VALVE
8V	8"	VENT STACK VALVE	27V	2"	SLOP TANK VENT VALVE
10V	8"	HIGH LEVEL/OVERFILL ALARM	28V		HIGH LEVEL DOCK ALARM
11V	8"	1 METER GAUGE STICK	38V		VAPOR PENETRATION
12V	2"	HERMETIC SAMPLE	42V	10"	ULLAGE
14V	8"	SIGHT GLASS	46V	2"	SOUNDING TUBE
15V	2"	INSPECTION PORT	50V		VAPOR HEADER
16V	8"	VAPOR VENT STACK	51V		VAPOR PIPELINE
17V	19"	BUTTERWORTH			ABOVE DECK PIPING
19V		EMERGENCY SHUTDOWN SYSTEM			
21V	2"	HERMETIC GAUGE			

NOTE 1: CONTAINMENT P/S

TRINITY MARINE

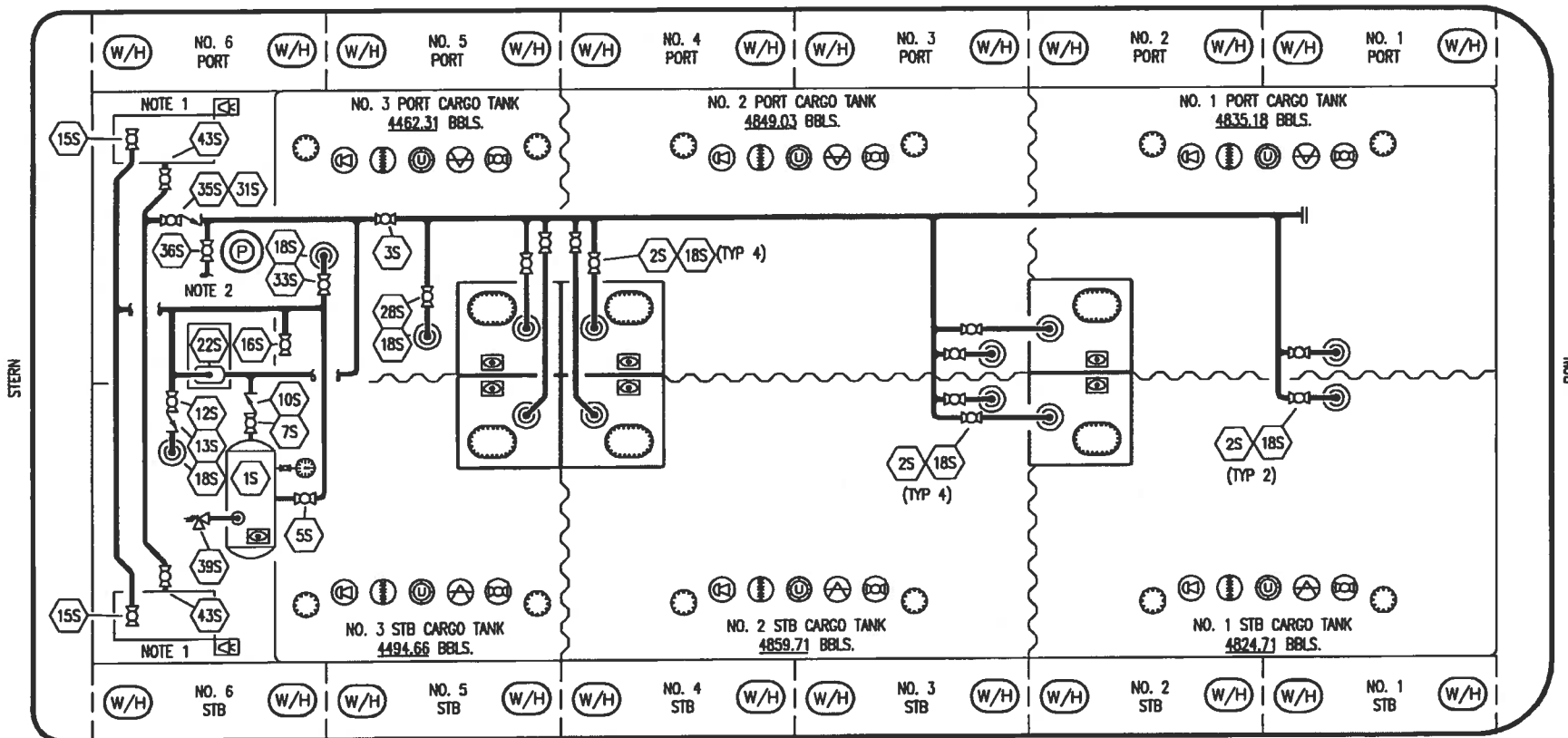
KIRBY INLAND MARINE 

**VAPOR
PIPING FLOW DIAGRAM**

REV.	DATE	BY	CHK	APP	REVISION DESCRIPTION
0	03-23-09	RB	RB	OF	APPROVED

SCALE: NONE
PAGE: 2 OF 3

KIRBY 28074 REV. **0**



NO	DESCRIPTION	NO	DESCRIPTION
1S	SLOP TANK	22S	STRIPPING PUMP
2S	VALVE CARGO TANK	26S	STRIPPING HEADER BLOCK VALVE
3S	VALVE MAIN CARGO PIPING	28S	CARGO HEADER VALVE
5S	SLOP TANK SUCTION VALVE	31S	CHECK VALVE
7S	SLOP TANK VALVE	33S	PUMP WELL SUCTION
10S	SLOP TANK CHECK VALVE	35S	STRIPPING VALVE
12S	RETURN TO CARGO TANK VALVE	36S	STRIPPING PUMP DISCHARGE
13S	RETURN TO CARGO CHECK VALVE	39S	P/V VALVE
15S	DISCHARGE CARGO VALVE	43S	DRIP PAN SUCTION VALVE
16S	REMOTE SUCTION CONNECTION		ABOVE DECK PIPING
18S	STRIPPING DROP		

NOTE 1: CONTAINMENT P/S
 NOTE 2: TO CARGO PUMP DISCHARGE

TRINITY MARINE

KIRBY INLAND MARINE 

**STRIPPING
 PIPING FLOW DIAGRAM**

REV.	DATE	BY	CHK	APP	REVISION DESCRIPTION
0	03-23-09	RB	RB	OF	APPROVED

SCALE: NONE
 PAGE: 3 OF 3

KIRBY 28074 REV. 0