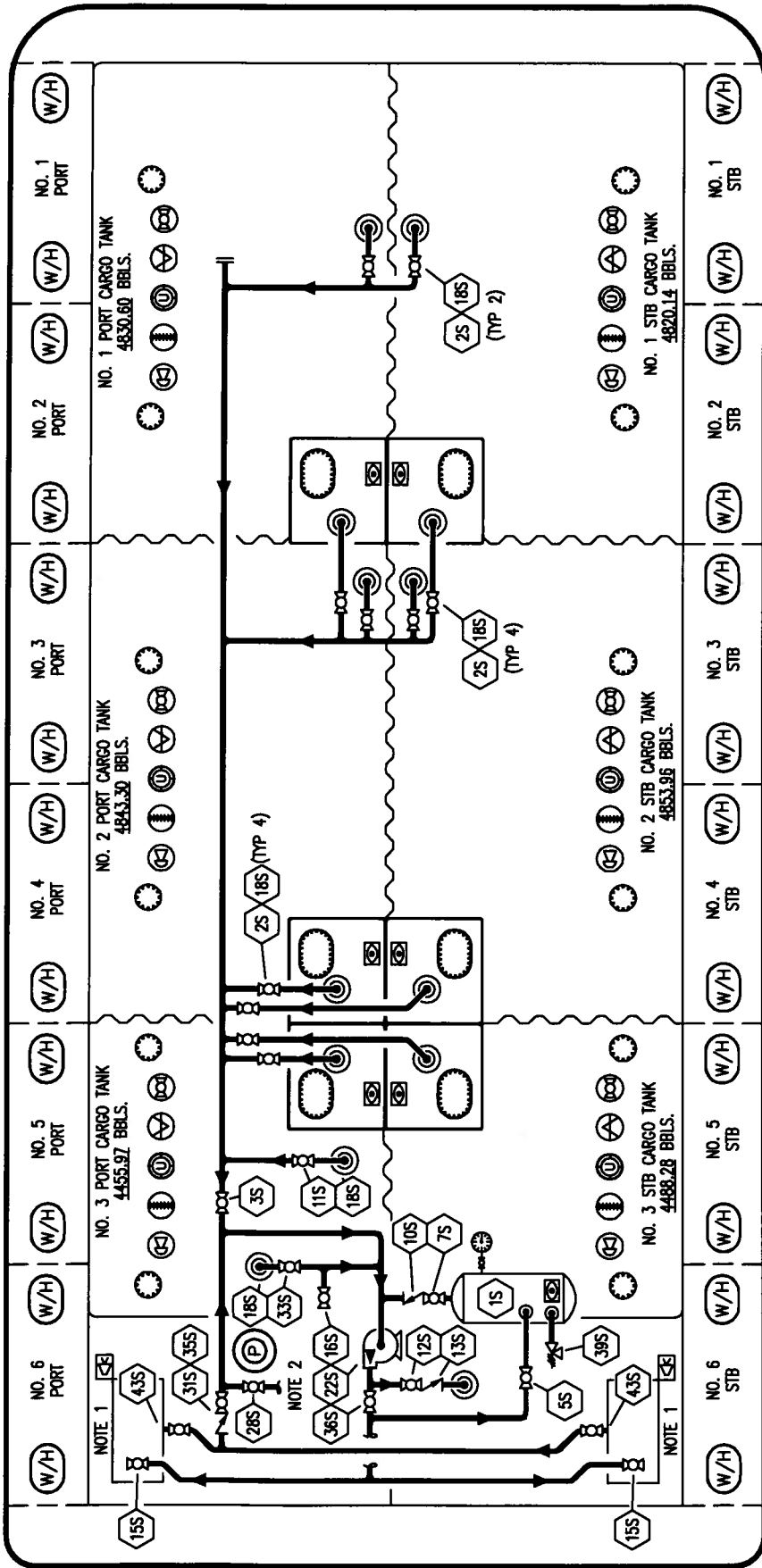


804



STERN

TRINITY MARINE



KIRBY INLAND MARINE

STRIPPING

PIPING FLOW DIAGRAM

REV. 0

KIRBY 28066

SCALE: NONE
PAGE: 3 OF 3

NO	DESCRIPTION	NO	DESCRIPTION
1S	SLOP TANK	18S	STRIPPING DROP
2S	VALVE CARGO TANK	22S	STRIPPING PUMP
3S	VALVE MAIN CARGO PIPING	26S	STRIPPING HEADER BLOCK VALVE
5S	SLOP TANK SUCTION VALVE	28S	CARGO HEADER STRIPPING VALVE
7S	SLOP TANK VALVE	31S	CHECK VALVE
10S	SLOP TANK CHECK VALVE	33S	PUMP WELL SUCTION
11S	CARGO PIPELINE SUCTION VALVE	35S	STRIPPING VALVE
12S	RETURN TO CARGO TANK VALVE	36S	STRIPPING PUMP DISCHARGE
13S	RETURN TO CARGO CHECK VALVE	39S	PRESSURE/ VACUUM VALVE
15S	DISCHARGE CARGO VALVE	43S	DRIP PAN SUCTION VALVE
16S	REMOTE SUCTION CONNECTION		ABOVE DECK PIPING

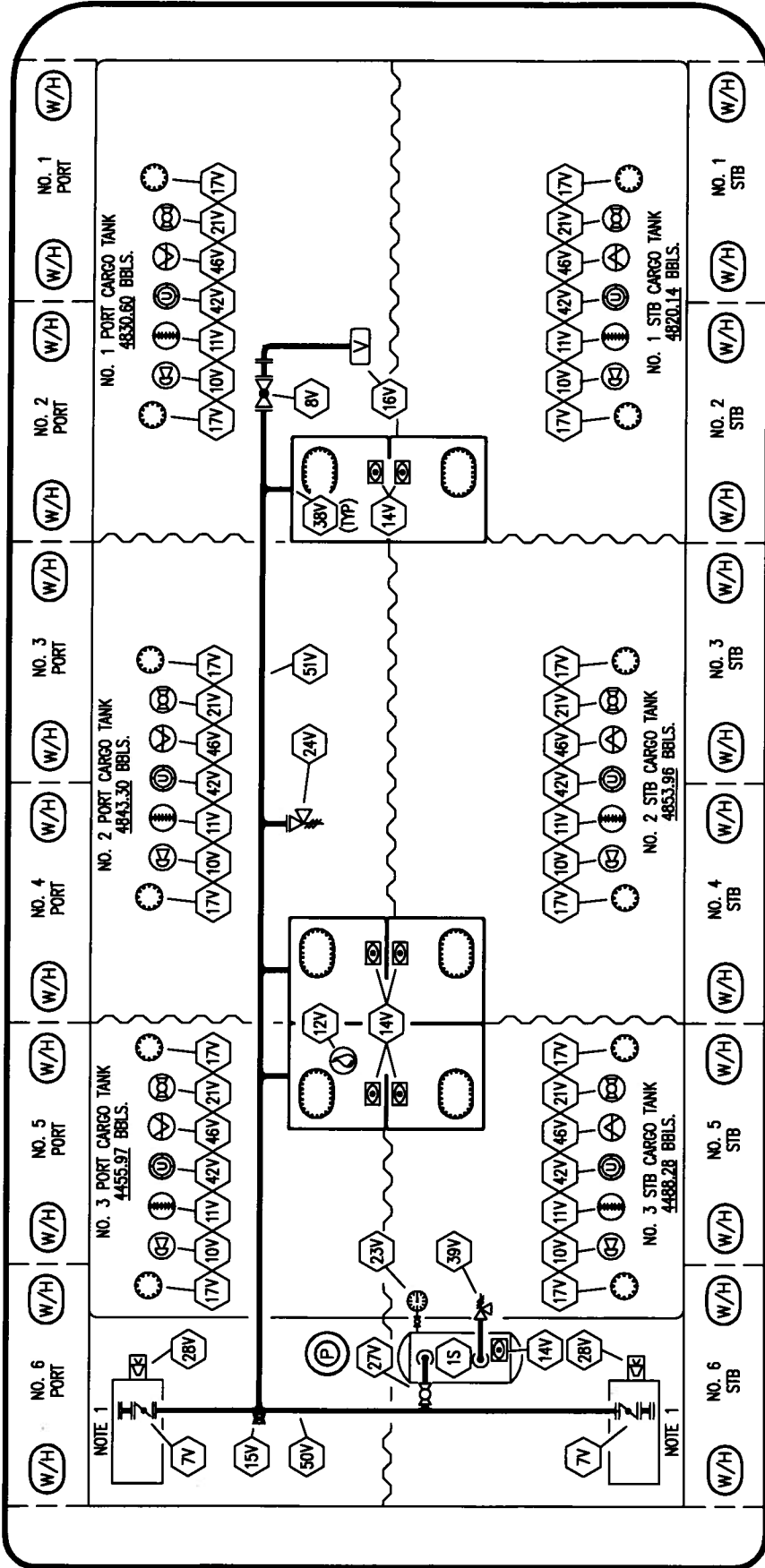
NOTE 1: CONTAINMENT P/S

NOTE 2: TO CARGO PUMP DISCHARGE

REV	DATE	BY	CHK/APP	REVISION DESCRIPTION
0	04/06/09	WK	RB	OF APPROVED

NOB

STEM



TRINITY MARINE



KIRBY INLAND MARINE

**VAPOR
PIPING FLOW DIAGRAM**

NOTE 1: CONTAINMENT P/S

NO	SIZE	DESCRIPTION
15	1/4"	PRESSURE/VAC GAUGE
7V	6"	PRESSURE RELIEF VALVE
8V	2"	SLOP TANK VENT VALVE
10V		HIGH LEVEL/OVERFILL ALARM
11V		1 METER GAUGE STICK
12V	2"	HERMETIC SAMPLE
14V	10"	SIGHT GLASS
15V	2"	INSPECTION PORT
16V	8"	VAPOR VENT STACK
17V	19"	BUTTERWORTH
19V		EMERGENCY SHUTDOWN
21V	2"	ABOVE DECK PIPING

REV.	DATE	BY	CHK APP	WK	RB	OF	APPROVED	REVISION DESCRIPTION
0	04/06/09							

SCALE: NONE
PAGE: 2 OF 3
REV. 0