

NOTE 1: CONTAINMENT P/S

NO	DESCRIPTION
1C	CARGO TANK VALVE
2C	LOAD VALVE
3C	MASTER SUCTION VALVE
4C	DISCHARGE VALVE
5C	HEADER VALVE
6C	SALVAGE VALVE
9C	CARGO CHECK VALVE
13C	CARGO BLOCK VALVE

NO	DESCRIPTION
19C	CARGO HEADER
30C	CARGO PIPELINE
37C	CARGO DROP
15	SLOP TANK (3000 GAL.)

— ABOVE DECK PIPING  
 - - - BELOW DECK PIPING

REV	DATE	BY	CHK	APP	REVISION DESCRIPTION
0	04/06/09	WK	RB	OF	APPROVED

**KIRBY INLAND MARINE**

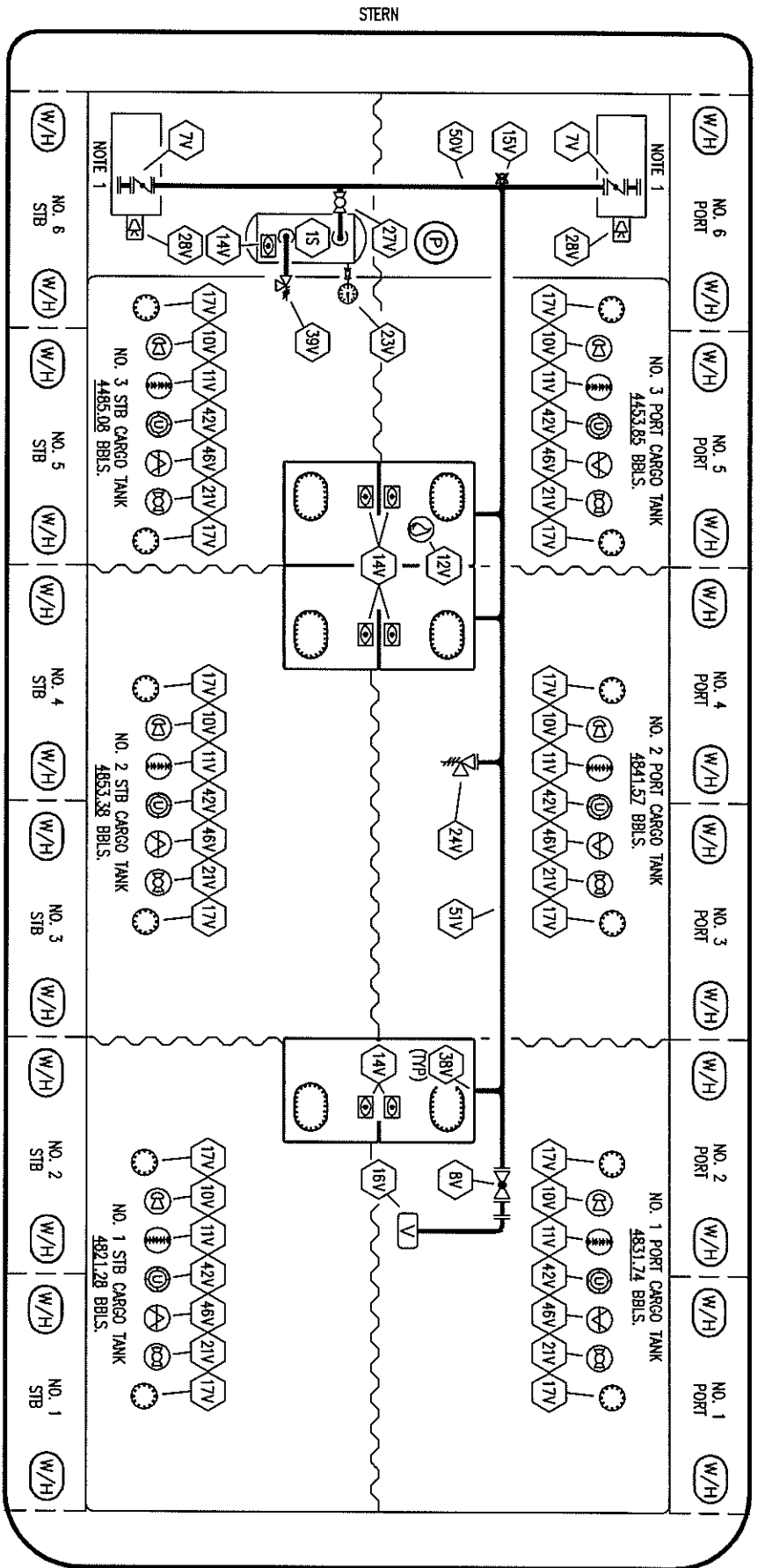
**CARGO**

**PIPING FLOW DIAGRAM**

**KIRBY 28065**

SCALE: NONE  
 PAGE: 1 OF 3  
 REV: 0

TRINITY MARINE



STERN

BOW

NO	SIZE	DESCRIPTION	NO	SIZE	DESCRIPTION
15	8"	SLOP TANK (3000 GAL.)	23V	1/4"	PRESSURE/VAC GAUGE
7V	8"	HEADER VALVE	24V	6"	PRESSURE RELIEF VALVE
8V	8"	VENT STACK VALVE	27V	2"	SLOP TANK VENT VALVE
10V	8"	HIGH LEVEL/OVERFILL ALARM	28V		HIGH LEVEL DOCK ALARM
11V	8"	1 METER GAUGE STICK	38V		VAPOR PENETRATION
12V	2"	HERMETIC SAMPLE	39V		PRESSURE/VACUUM VALVE
14V	8"	SIGHT GLASS	42V	10"	ULLAGE
15V	2"	INSPECTION PORT	46V	2"	SOUNDING TUBE
16V	8"	VAPOR VENT STACK	50V		VAPOR HEADER
17V	19"	BUTTERWORTH	51V		VAPOR PIPELINE
19V		EMERGENCY SHUTDOWN			ABOVE DECK PIPING
21V	2"	HERMETIC GAUGE			

NOTE 1: CONTAINMENT P/S

TRINITY MARINE

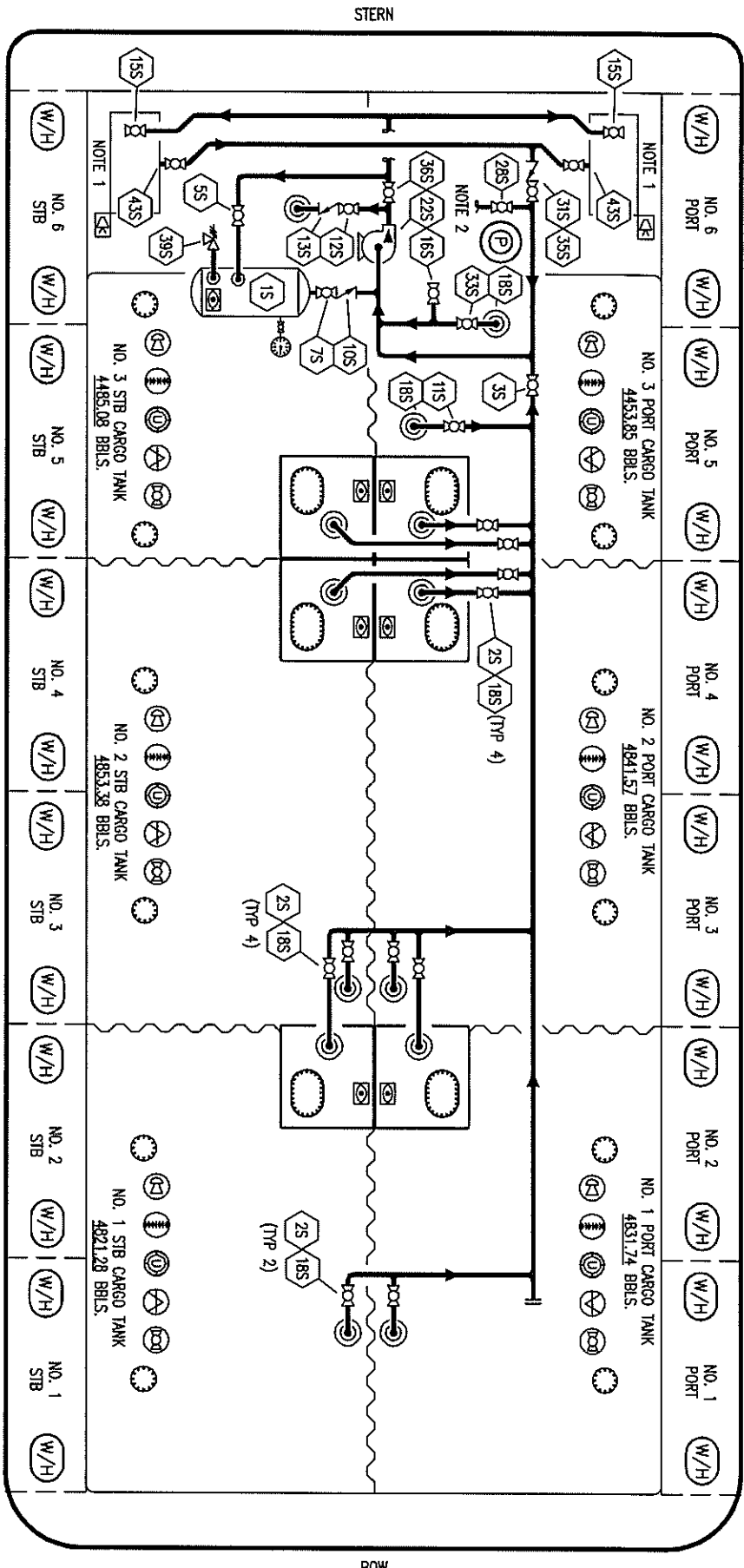
REV.	DATE	BY	CHK	APP	REVISION	DESCRIPTION
0	04/06/09	WK	RB	OF	APPROVED	

**KIRBY INLAND MARINE**

**VAPOR PIPING FLOW DIAGRAM**

**KIRBY 28065**

SCALE: NONE  
PAGE: 2 OF 3  
REV: 0




NO	DESCRIPTION	NO	DESCRIPTION
15	SLOP TANK	18S	STRIPPING DROP
2S	VALVE CARGO TANK	22S	STRIPPING PUMP
3S	VALVE MAIN CARGO PIPING	26S	STRIPPING HEADER BLOCK VALVE
5S	SLOP TANK SUCTION VALVE	28S	CARGO HEADER STRIPPING VALVE
7S	SLOP TANK VALVE	31S	CHECK VALVE
10S	SLOP TANK CHECK VALVE	33S	PUMP WELL SUCTION
11S	CARGO PIPELINE SUCTION VALVE	35S	STRIPPING VALVE
12S	RETURN TO CARGO TANK VALVE	36S	STRIPPING PUMP DISCHARGE
3S	RETURN TO CARGO CHECK VALVE	39S	PRESSURE/ VACUUM VALVE
15S	DISCHARGE CARGO VALVE	43S	DRIP PAN SUCTION VALVE
18S	REMOTE SUCTION CONNECTION		ABOVE DECK PIPING

NOTE 1: CONTAINMENT P/S  
 NOTE 2: TO CARGO PUMP DISCHARGE

REV	DATE	BY	CHK	APP	REVISION	DESCRIPTION
0	04/06/09	WK	RB	OF	APPROVED	

**KIRBY INLAND MARINE**



**STRIPPING**

**PIPING FLOW DIAGRAM**

SCALE: NONE  
 PAGE: 3 OF 3  
**KIRBY 28065**

REV. **0**

TRINITY MARINE