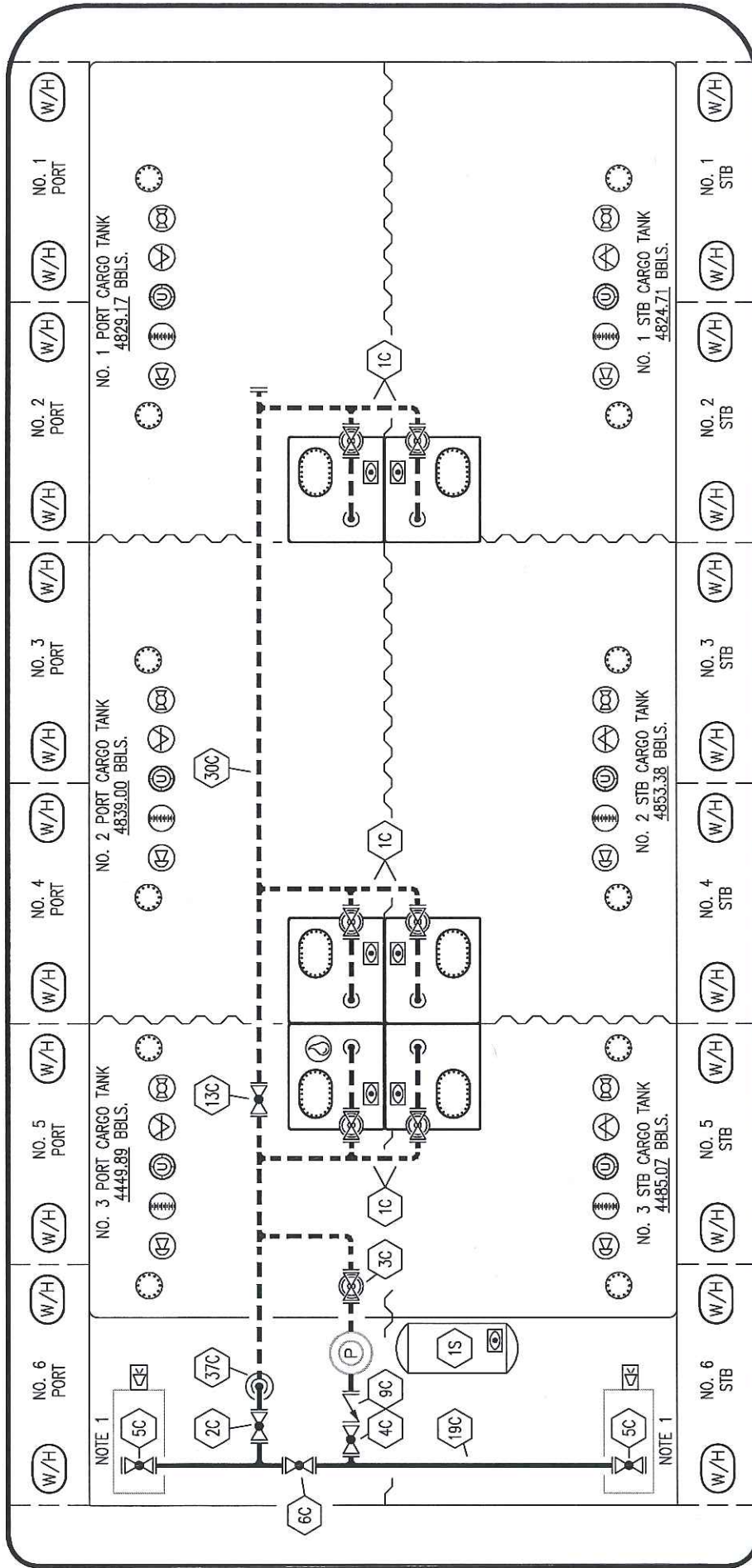


BOW

STERN



NOTE 1: CONTAINMENT P/S

- | | | | |
|-----|----------------------|-----|----------------------|
| NO | DESCRIPTION | NO | DESCRIPTION |
| 1C | CARGO TANK VALVE | 19C | CARGO HEADER |
| 2C | LOAD VALVE | 30C | CARGO PIPELINE |
| 3C | MASTER SUCTION VALVE | 37C | CARGO DROP |
| 4C | DISCHARGE VALVE | 1S | SLOP TANK (3000 GAL) |
| 5C | HEADER VALVE | --- | ABOVE DECK PIPING |
| 6C | SALVAGE VALVE | --- | BELOW DECK PIPING |
| 9C | CARGO CHECK VALVE | | |
| 13C | CARGO BLOCK VALVE | | |

TRINITY MARINE



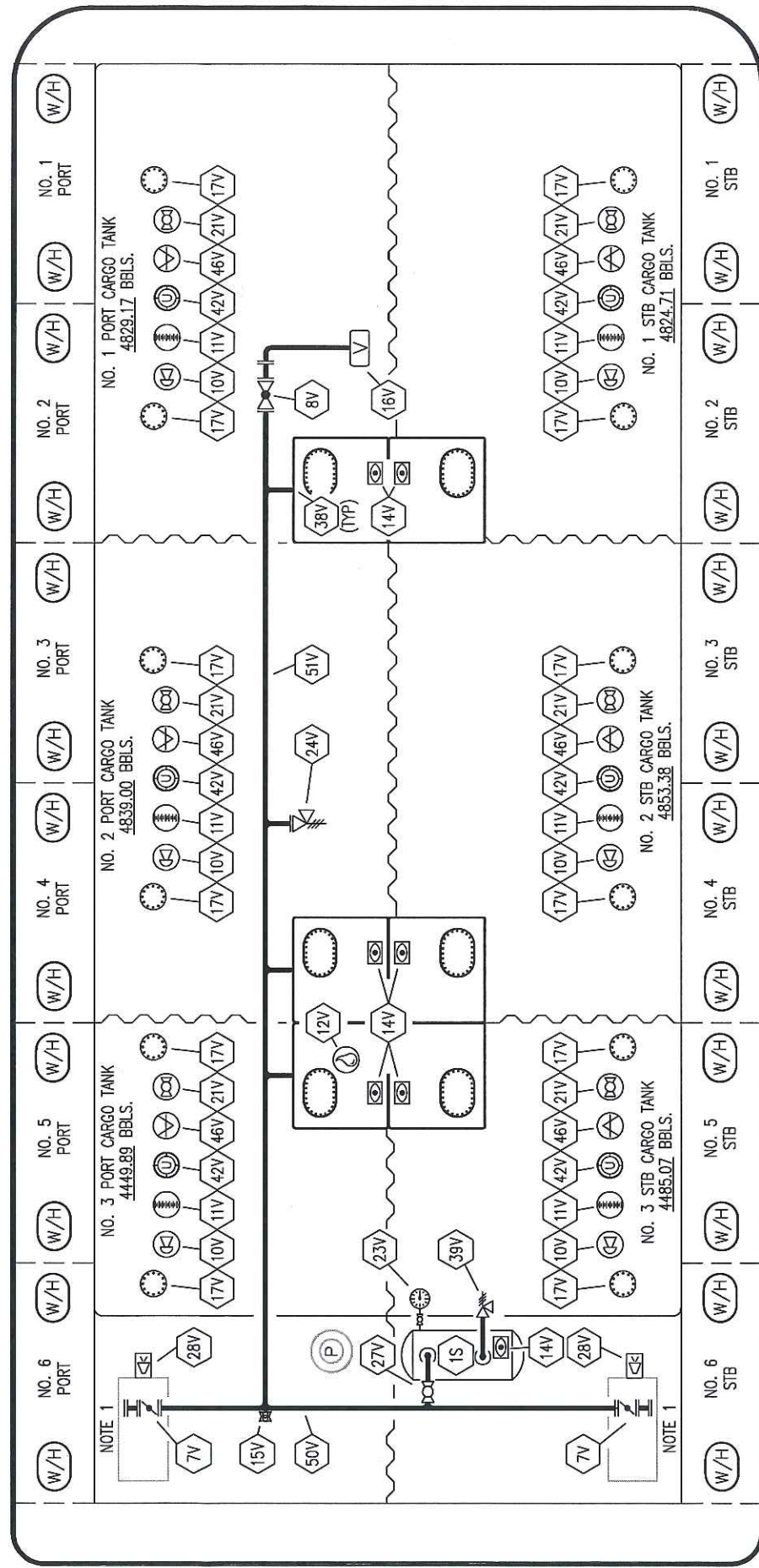
CARGO

PIPING FLOW DIAGRAM

REV.	DATE	BY	CHK	APP	REVISION DESCRIPTION	SCALE:	NONE	PAGE:	1 OF 3	REV.	0
0	04/06/09	WK	RB	OF	APPROVED						

KIRBY 28064

BOB



STERN

TRINITY MARINE



KIRBY INLAND MARINE

VAPOR

PIPING FLOW DIAGRAM

REV.	DATE	BY	CHK	APP	REVISION DESCRIPTION
0	04/06/09	WK	RB	OF	APPROVED
SCALE:	NONE				
PAGE:	2 OF 3				

KIRBY 28064

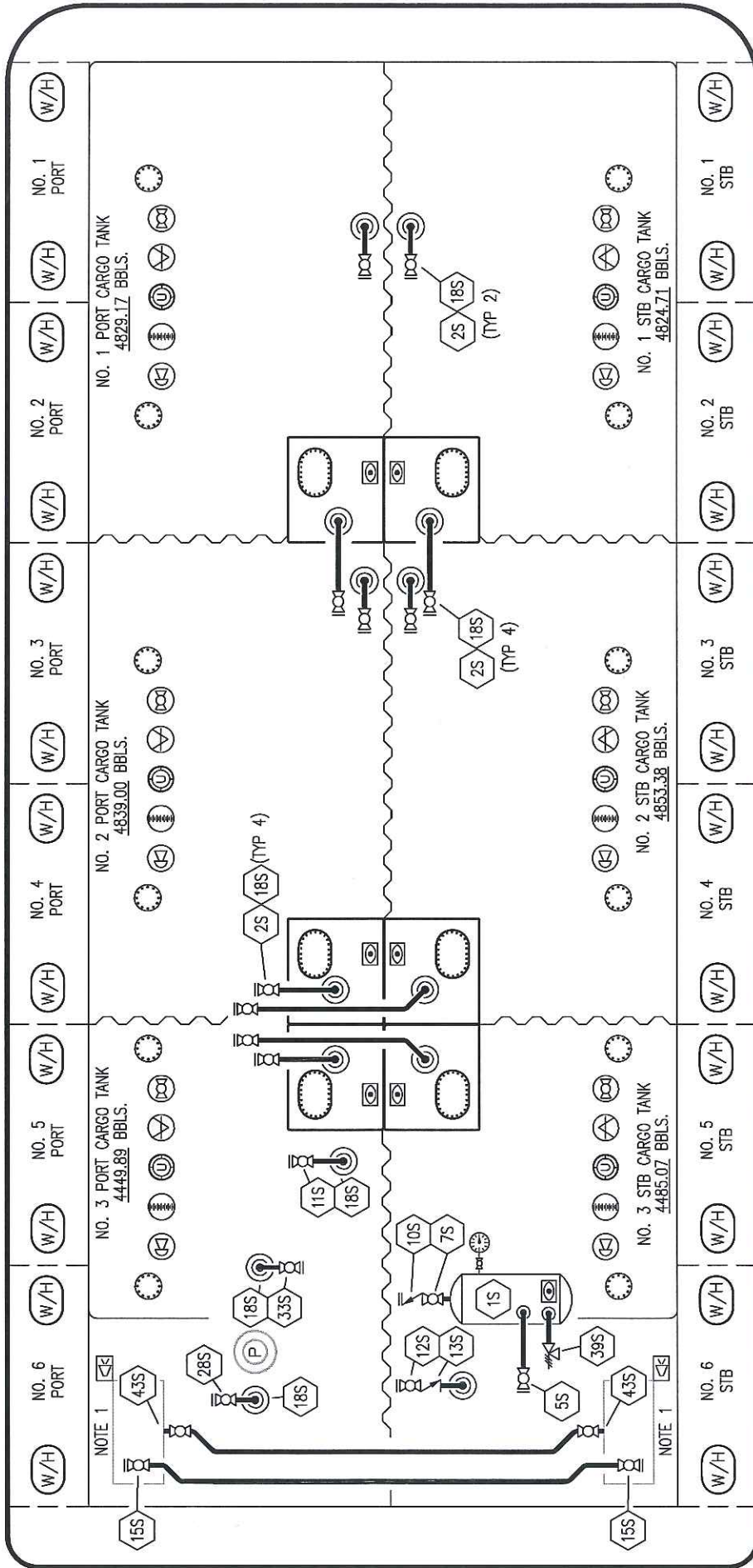
REV. 0

NO	SIZE	DESCRIPTION	NO	SIZE	DESCRIPTION
1S		SLOP TANK (3000 GAL.)	23V	1/4"	PRESSURE/VAC GAUGE
7V	8"	HEADER VALVE	24V	6"	PRESSURE RELIEF VALVE
8V	8"	VENT STACK VALVE	27V	2"	SLOP TANK VENT VALVE
10V	8"	HIGH LEVEL/OVERFILL ALARM	28V		HIGH LEVEL DOCK ALARM
11V	8"	1 METER GAUGE STICK	38V		VAPOR PENETRATION
12V	2"	HERMETIC SAMPLE	39V		PRESSURE/VACUUM VALVE
14V	8"	SIGHT GLASS	42V	10"	ULLAGE
15V	2"	INSPECTION PORT	46V	2"	SOUNDING TUBE
16V	8"	VAPOR VENT STACK	50V		VAPOR HEADER
17V	19"	BUTTERWORTH	51V		VAPOR PIPELINE
19V		EMERGENCY SHUTDOWN			ABOVE DECK PIPING
21V	2"	HERMETIC GAUGE			

NOTE 1: CONTAINMENT P/S

BOW

STERN



TRINITY MARINE



KIRBY INLAND MARINE

STRIPPING

PIPING FLOW DIAGRAM

REV.	DATE	BY	CHK	APP	REVISION DESCRIPTION
1	07/05/18	WFB	DDA		REVISED PER CLIENT COMMENTS
0	04/06/09	WK	RB	OF	APPROVED

SCALE: NONE
PAGE: 3 OF 3

REV. 1

KIRBY 28064

- | | | | |
|-----|------------------------------|-----|------------------------------|
| NO | DESCRIPTION | NO | DESCRIPTION |
| 1S | SLOP TANK | 15S | DISCHARGE CARGO VALVE |
| 2S | VALVE CARGO TANK | 18S | STRIPPING DROP |
| 5S | SLOP TANK SUCTION VALVE | 28S | CARGO HEADER STRIPPING VALVE |
| 7S | SLOP TANK VALVE | 33S | PUMP WELL SUCTION |
| 10S | SLOP TANK CHECK VALVE | 39S | PRESSURE/ VACUUM VALVE |
| 11S | CARGO PIPELINE SUCTION VALVE | 43S | DRIP PAN SUCTION VALVE |
| 12S | RETURN TO CARGO TANK VALVE | | ABOVE DECK PIPING |
| 13S | RETURN TO CARGO CHECK VALVE | | |

NOTE 1: CONTAINMENT P/S
NOTE 2: TO CARGO PUMP DISCHARGE