

PORT

STARBOARD

TRINITY MARINE



KIRBY INLAND MARINE

CARGO

PIPING FLOW DIAGRAM

NOTE 1: CONTAINMENT P/S

- | | | | |
|-----|----------------------|-----|-------------------------|
| NO | DESCRIPTION | NO | DESCRIPTION |
| 1C | CARGO TANK VALVE | 19C | CARGO HEADER |
| 2C | LOAD VALVE | 30C | CARGO PIPELINE |
| 3C | MASTER SUCTION VALVE | 37C | CARGO DROP |
| 4C | DISCHARGE VALVE | 1S | SLOP TANK (3000 GAL) |
| 5C | HEADER VALVE | --- | — ABOVE DECK PIPING |
| 6C | SALVAGE VALVE | --- | - - - BELOW DECK PIPING |
| 8C | RELIEF VALVE | | |
| 9C | CARGO CHECK VALVE | | |
| 13C | CARGO BLOCK VALVE | | |

REV.	DATE	BY	CHK	APP	REVISION DESCRIPTION
0	03/30/09	WK	RB	OF	APPROVED

SCALE: NONE
PAGE: 1 OF 3
REV. 0
KIRBY 28063

PORT

STERN

TRINITY MARINE



KIRBY INLAND MARINE

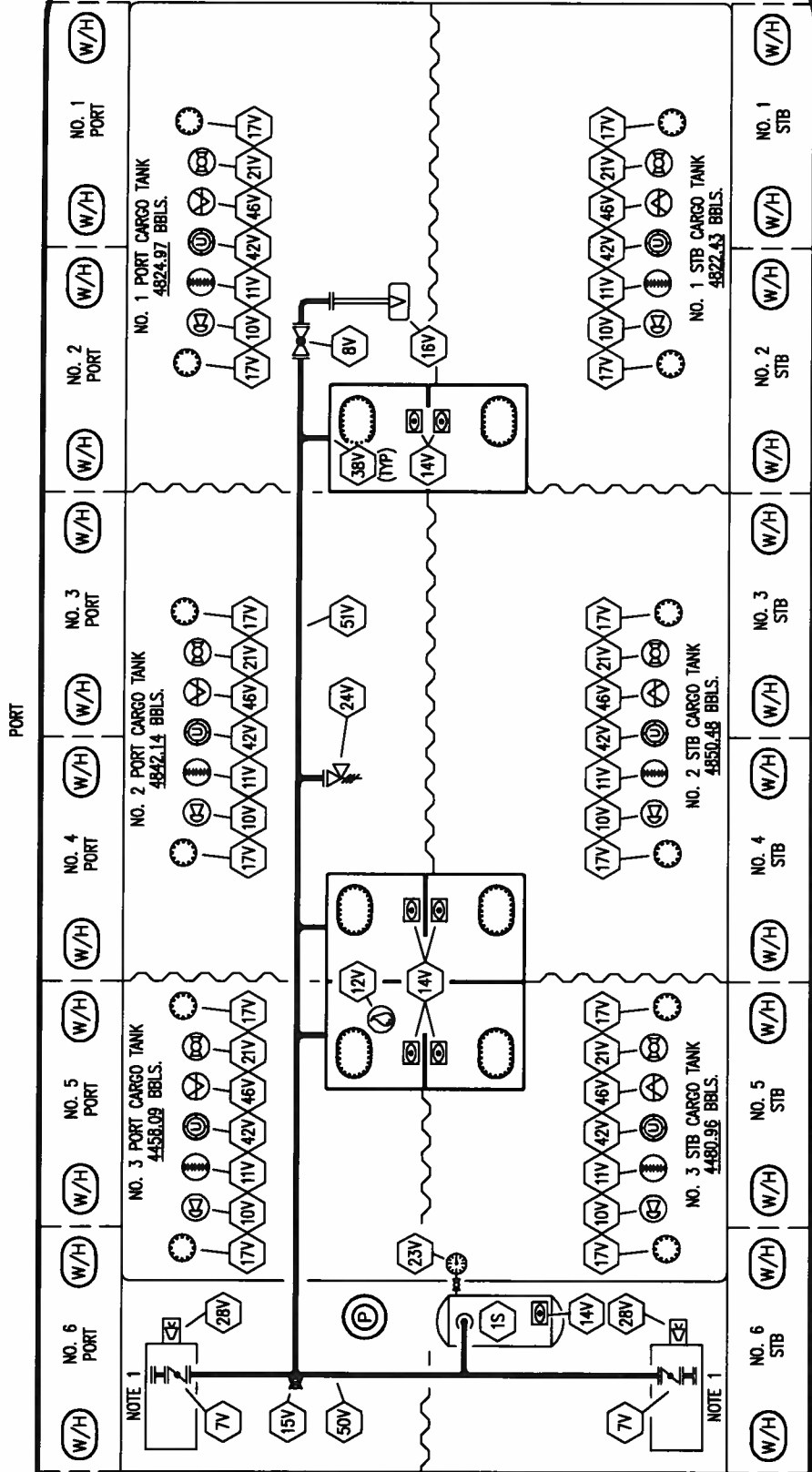
VAPOR

PIPING FLOW DIAGRAM

REV. 0

KIRBY 28063

SCALE: NONE
PAGE: 2 OF 3

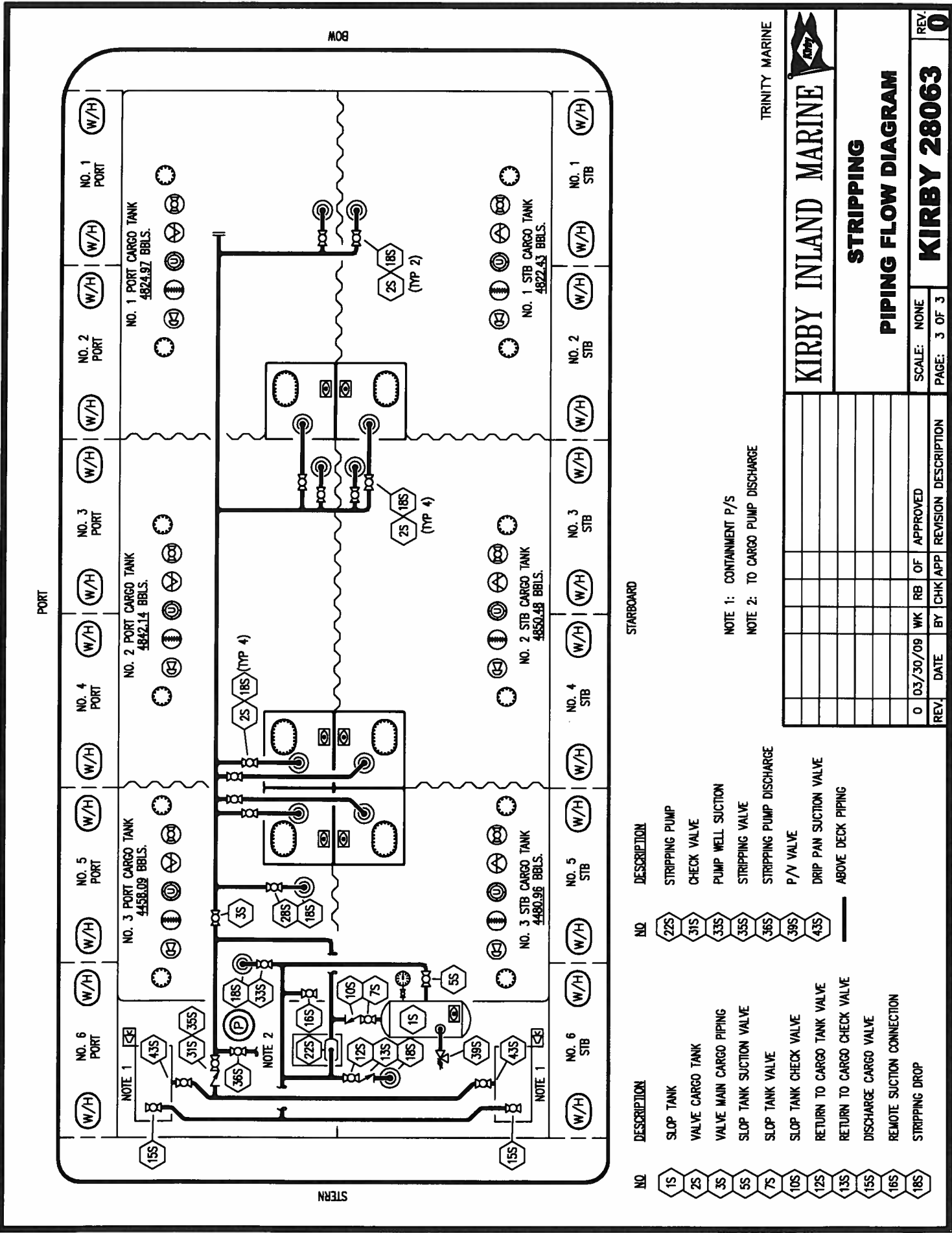


STARBOARD

NOTE 1: CONTAINMENT P/S

NO	SIZE	DESCRIPTION
15	8"	SLOP TANK (3000 GAL.)
7V	8"	HEADER VALVE
8V	8"	VENT STACK VALVE
10V	8"	HIGH LEVEL/OVERFILL ALARM
11V	8"	1 METER GAUGE STICK
12V	2"	HERMETIC SAMPLE
14V	8"	SIGHT GLASS
15V	2"	INSPECTION PORT
16V	8"	VAPOR VENT STACK
17V	19"	BUTTERWORTH
19V		EMERGENCY SHUTDOWN SYSTEM
21V	2"	HERMETIC GAUGE
23V	1/4"	PRESSURE/VAC GAUGE
24V	6"	PRESSURE RELIEF VALVE
28V		HIGH LEVEL DOCK ALARM
38V		VAPOR PENETRATION
42V	10"	ULLAGE
46V	2"	SOUNDING TUBE
50V		VAPOR HEADER
51V		VAPOR PIPELINE
		ABOVE DECK PIPING

REV.	DATE	BY	CHK APP	REVISION DESCRIPTION
0	03/30/09	WK	RB	OF APPROVED



TRINITY MARINE



KIRBY INLAND MARINE

STRIPPING PIPING FLOW DIAGRAM

REV. 0
SCALE: NONE
PAGE: 3 OF 3

STARBOARD

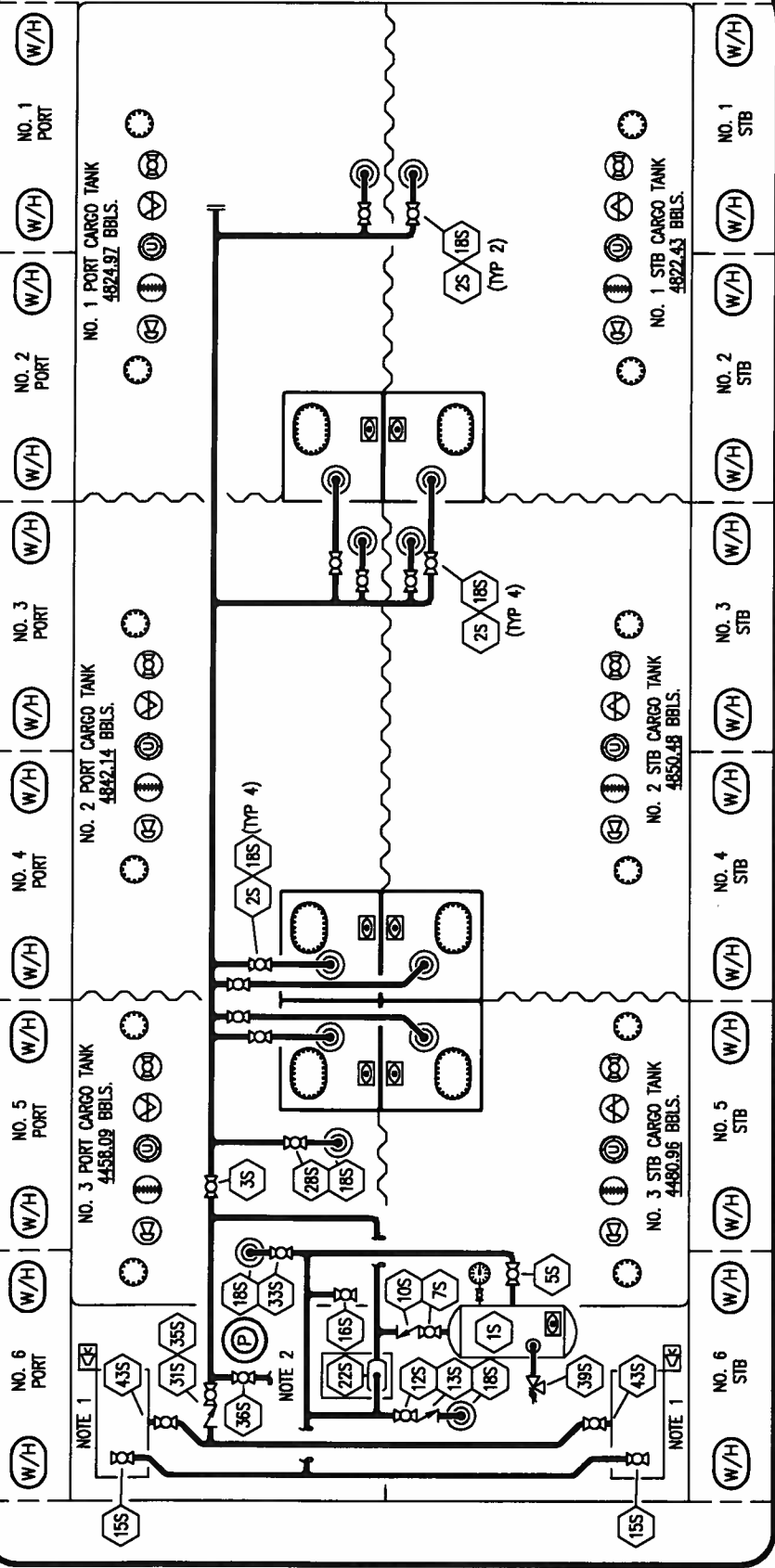
NOTE 1: CONTAINMENT P/S
NOTE 2: TO CARGO PUMP DISCHARGE

NO	DESCRIPTION	NO	DESCRIPTION
1S	SLOP TANK	22S	STRIPPING PUMP
2S	VALVE CARGO TANK	31S	CHECK VALVE
3S	VALVE MAIN CARGO PIPING	33S	PUMP WELL SUCTION
5S	SLOP TANK SUCTION VALVE	35S	STRIPPING VALVE
7S	SLOP TANK VALVE	36S	STRIPPING PUMP DISCHARGE
10S	SLOP TANK CHECK VALVE	39S	P/V VALVE
12S	RETURN TO CARGO TANK VALVE	43S	DRIP PAN SUCTION VALVE
13S	RETURN TO CARGO CHECK VALVE		ABOVE DECK PIPING
15S	DISCHARGE CARGO VALVE		
16S	REMOTE SUCTION CONNECTION		
18S	STRIPPING DROP		

PORT

STERN

BOW



NO. 1 PORT W/H NO. 2 PORT W/H NO. 3 PORT W/H NO. 4 PORT W/H NO. 5 PORT W/H NO. 6 PORT W/H

NO. 1 STB W/H NO. 2 STB W/H NO. 3 STB W/H NO. 4 STB W/H NO. 5 STB W/H NO. 6 STB W/H

NO. 1 PORT CARGO TANK
4824.97 BBLs.

NO. 2 PORT CARGO TANK
4842.14 BBLs.

NO. 3 PORT CARGO TANK
4458.09 BBLs.

NOTE 1

NO. 1 STB CARGO TANK
4822.43 BBLs.

NO. 2 STB CARGO TANK
4850.48 BBLs.

NO. 3 STB CARGO TANK
4480.96 BBLs.

NOTE 1

