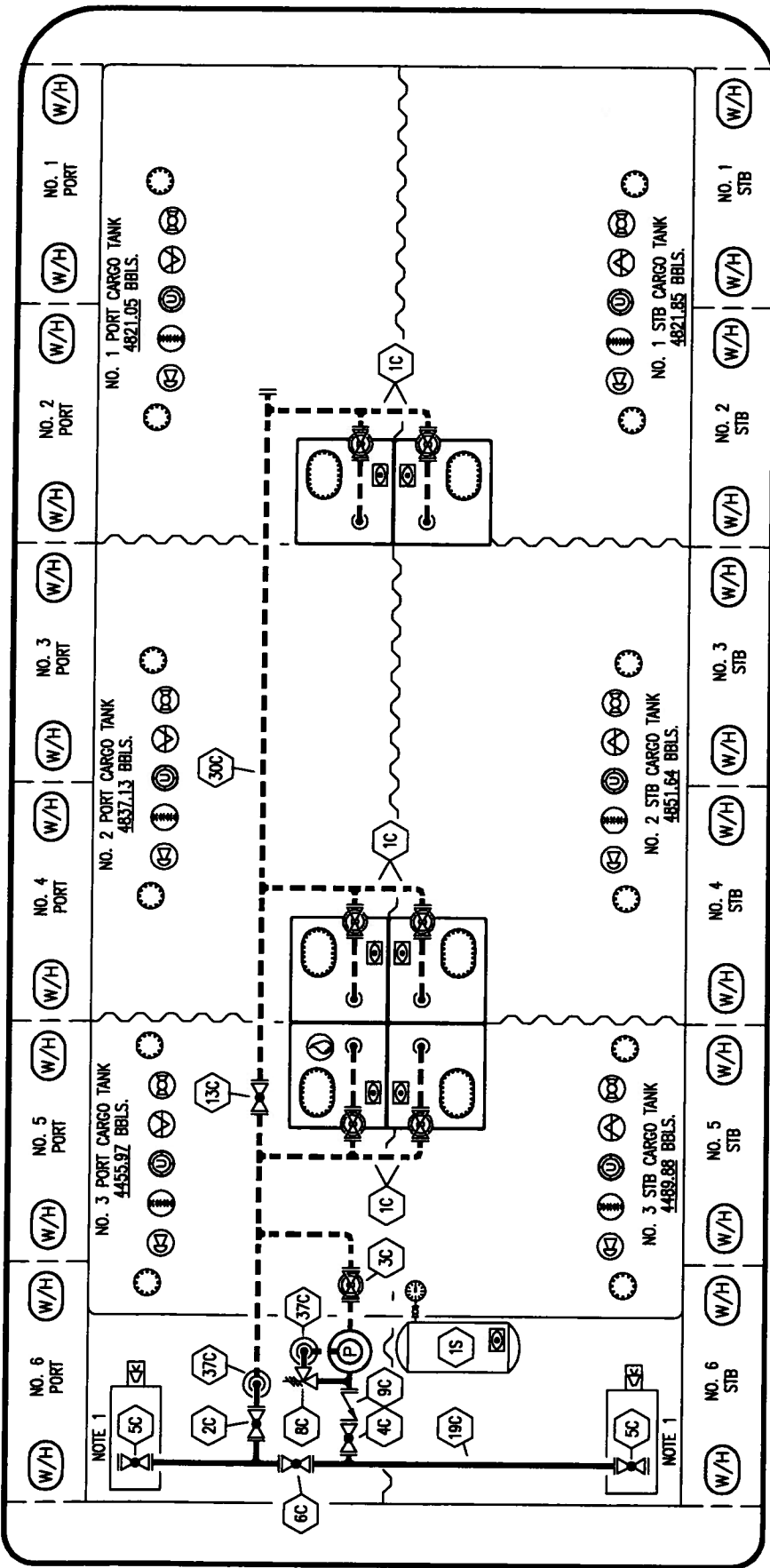


NO. 1

PORT



STERN

STARBOARD

NOTE 1: CONTAINMENT P/S

- | | |
|-----|----------------------|
| NO | DESCRIPTION |
| 1C | CARGO TANK VALVE |
| 2C | LOAD VALVE |
| 3C | MASTER SUCTION VALVE |
| 4C | DISCHARGE VALVE |
| 5C | HEADER VALVE |
| 6C | SALVAGE VALVE |
| 8C | RELIEF VALVE |
| 9C | CARGO CHECK VALVE |
| 13C | CARGO BLOCK VALVE |
| 19C | CARGO TANK VALVE |
| 2C | LOAD VALVE |
| 3C | MASTER SUCTION VALVE |
| 4C | DISCHARGE VALVE |
| 5C | HEADER VALVE |
| 6C | SALVAGE VALVE |
| 8C | RELIEF VALVE |
| 9C | CARGO CHECK VALVE |
| 13C | CARGO BLOCK VALVE |
| 19C | CARGO TANK VALVE |
| 30C | LOAD VALVE |
| 37C | MASTER SUCTION VALVE |
| 1S | DISCHARGE VALVE |

TRINITY MARINE



KIRBY INLAND MARINE

CARGO

PIPING FLOW DIAGRAM

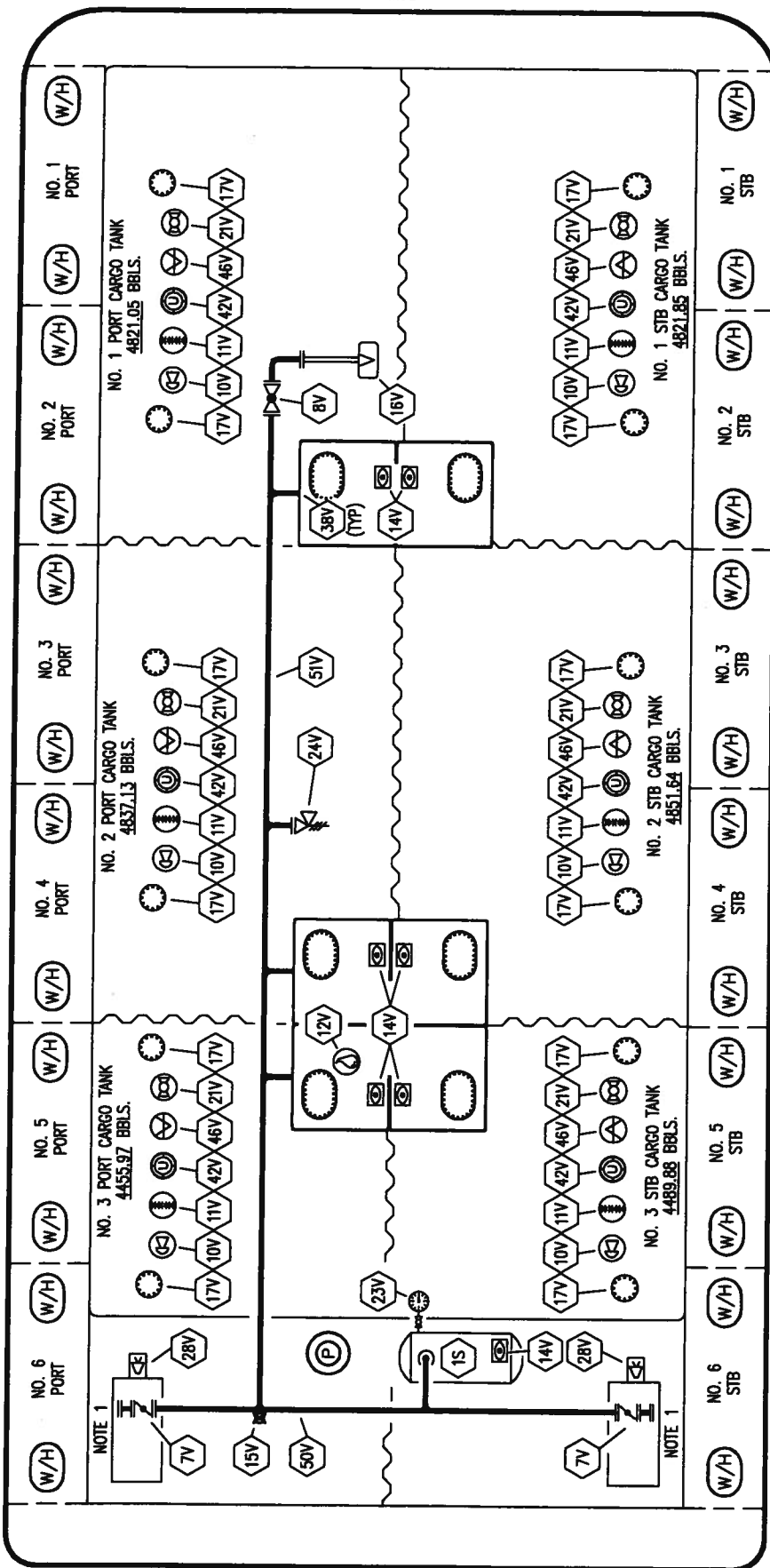
| | | | | | | | | | |
|--|--|--|--|--|--|--|--|--|--|
| | | | | | | | | | |
| | | | | | | | | | |
| | | | | | | | | | |
| | | | | | | | | | |
| | | | | | | | | | |
| | | | | | | | | | |
| | | | | | | | | | |
| | | | | | | | | | |
| | | | | | | | | | |
| | | | | | | | | | |

| | | | |
|------|---|----------|-------------|
| REV. | 0 | SCALE: | NONE |
| REV. | 0 | PAGE: | 1 OF 3 |
| REV. | 0 | DATE | 03/30/09 |
| REV. | 0 | BY | CHK/APP |
| REV. | 0 | WK | RB |
| REV. | 0 | OF | APPROVED |
| REV. | 0 | REVISION | DESCRIPTION |

KIRBY 28062

PORT

BOB



STERN

STARBOARD

TRINITY MARINE



KIRBY INLAND MARINE

VAPOR

PIPING FLOW DIAGRAM

| REV. | DATE | BY | CHK/APP | REVISION DESCRIPTION |
|------|----------|----|---------|----------------------|
| 0 | 03/30/09 | WK | RB | OF APPROVED |

SCALE: NONE
PAGE: 2 OF 3

REV. 0

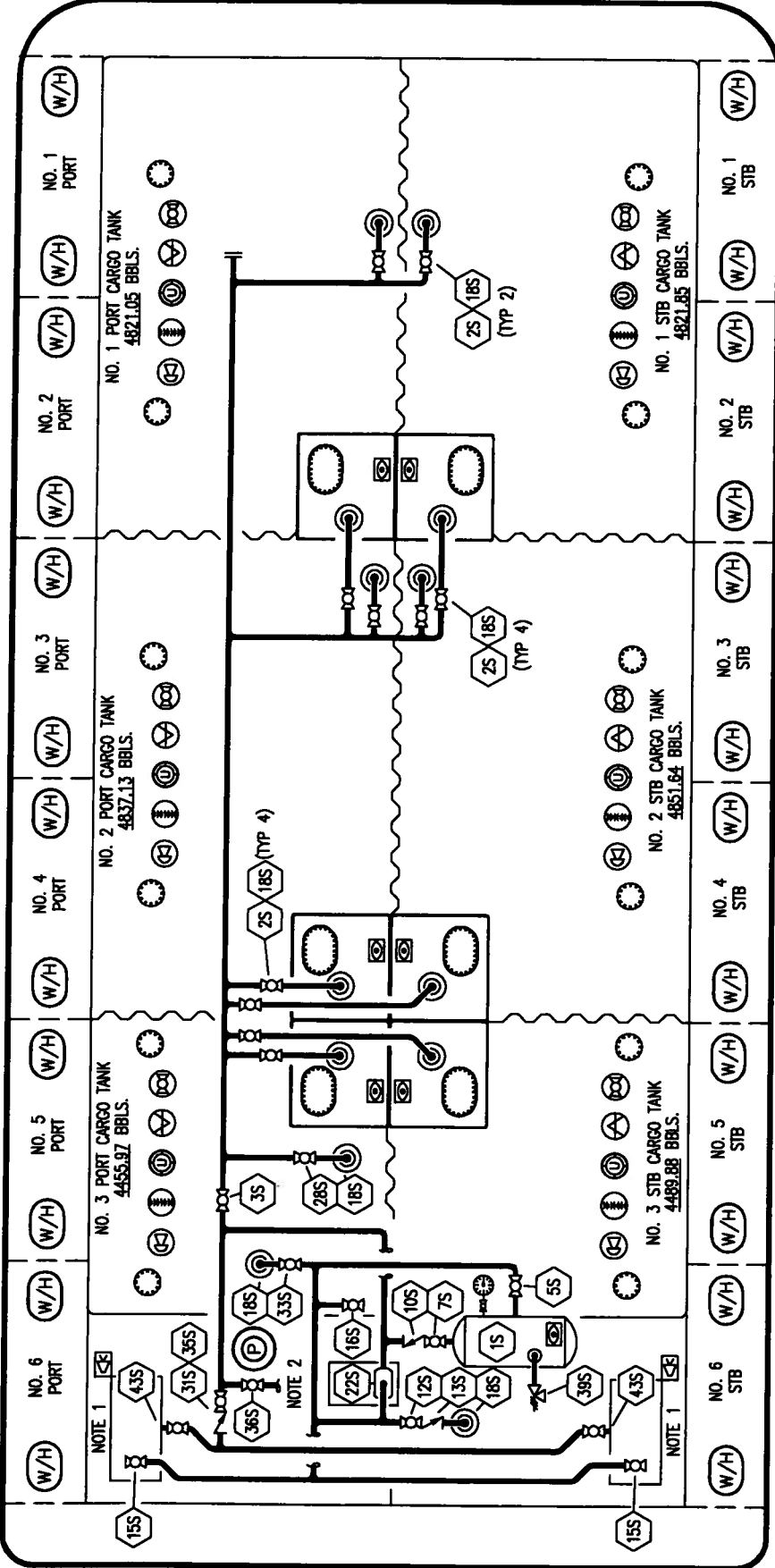
KIRBY 28062

| NO | SIZE | DESCRIPTION |
|-----|------|---------------------------|
| 15 | 8" | SLOP TANK (3000 GAL.) |
| 7V | 8" | HEADER VALVE |
| 8V | 8" | VENT STACK VALVE |
| 10V | 8" | HIGH LEVEL/OVERFILL ALARM |
| 11V | 8" | 1 METER GAUGE STICK |
| 12V | 2" | HERMETIC SAMPLE |
| 14V | 8" | SIGHT GLASS |
| 15V | 2" | INSPECTION PORT |
| 16V | 8" | VAPOR VENT STACK |
| 17V | 19" | BUTTERWORTH |
| 19V | | EMERGENCY SHUTDOWN SYSTEM |
| 21V | 2" | HERMETIC GAUGE |
| 23V | 1/4" | PRESSURE/VAC GAUGE |
| 24V | 6" | PRESSURE RELIEF VALVE |
| 28V | | HIGH LEVEL DOCK ALARM |
| 38V | | VAPOR PENETRATION |
| 42V | 10" | ULLAGE |
| 46V | 2" | SOUNDING TUBE |
| 50V | | VAPOR HEADER |
| 51V | | VAPOR PIPELINE |
| | | ABOVE DECK PIPING |

NOTE 1: CONTAINMENT P/S

MOB

PORT



STERN

TRINITY MARINE



KIRBY INLAND MARINE

**STRIPPING
PIPING FLOW DIAGRAM**

| REV. | DATE | BY | CHK APP | WK | RB | OF | APPROVED | REVISION DESCRIPTION |
|------|----------|----|---------|----|----|----|----------|----------------------|
| 0 | 03/30/09 | | | | | | | |

SCALE: NONE
PAGE: 3 OF 3

REV. **0**

STARBOARD

| NO | DESCRIPTION | NO | DESCRIPTION |
|-----|-----------------------------|-----|--------------------------|
| 1S | SLOP TANK | 22S | STRIPPING PUMP |
| 2S | VALVE CARGO TANK | 31S | CHECK VALVE |
| 3S | VALVE MAIN CARGO PIPING | 33S | PUMP WELL SUCTION |
| 5S | SLOP TANK SUCTION VALVE | 35S | STRIPPING VALVE |
| 7S | SLOP TANK VALVE | 36S | STRIPPING PUMP DISCHARGE |
| 10S | SLOP TANK CHECK VALVE | 39S | P/V VALVE |
| 12S | RETURN TO CARGO TANK VALVE | 43S | DRIP PAN SUCTION VALVE |
| 13S | RETURN TO CARGO CHECK VALVE | | ABOVE DECK PIPING |
| 15S | DISCHARGE CARGO VALVE | | |
| 16S | REMOTE SUCTION CONNECTION | | |
| 18S | STRIPPING DROP | | |

NOTE 1: CONTAINMENT P/S
NOTE 2: TO CARGO PUMP DISCHARGE