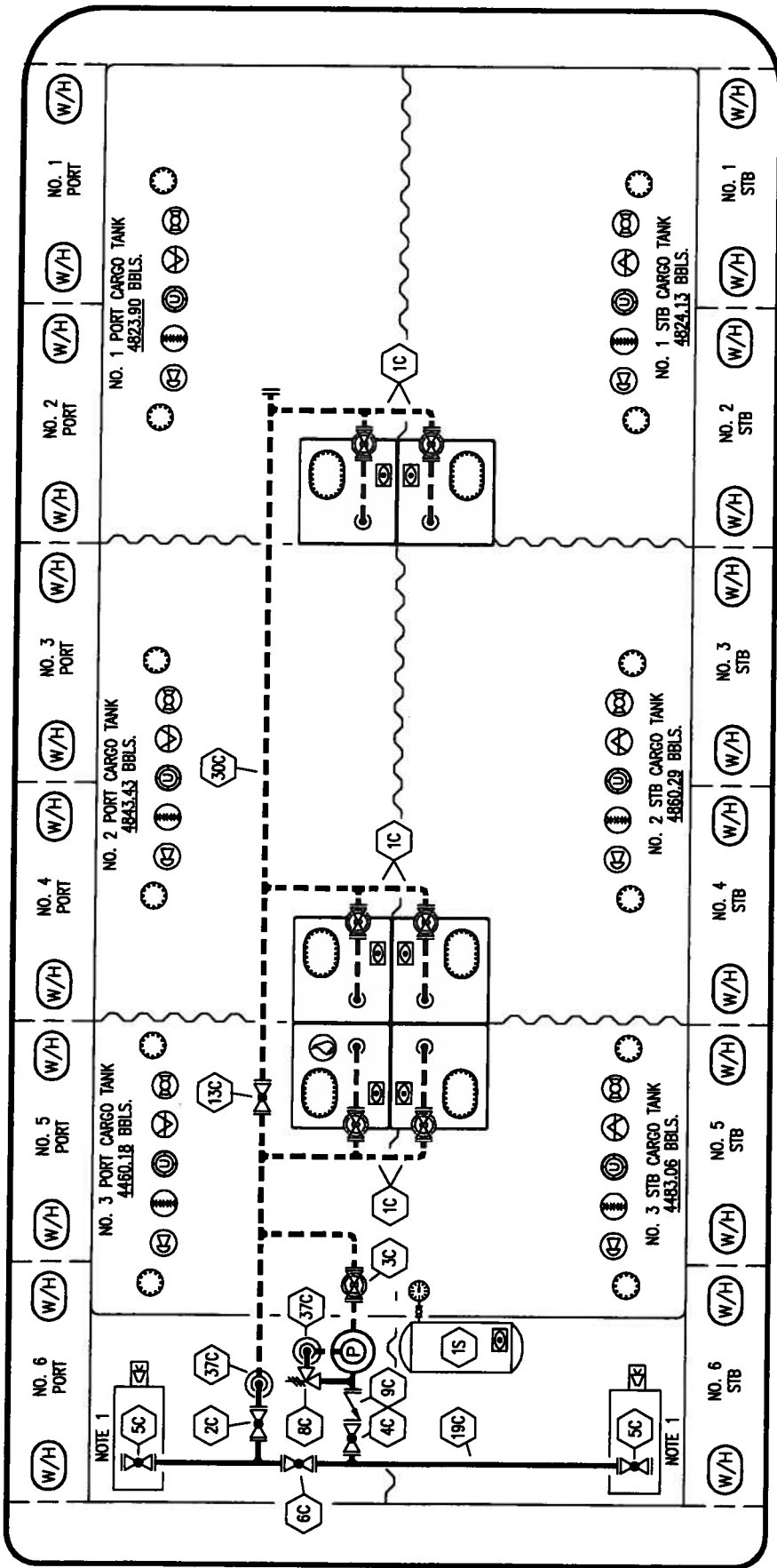


BOW

PORT



STERN

STARBOARD

NOTE 1: CONTAINMENT P/S

- | | |
|-----------|----------------------|
| NO | DESCRIPTION |
| 1C | CARGO TANK VALVE |
| 2C | LOAD VALVE |
| 3C | MASTER SUCTION VALVE |
| 4C | DISCHARGE VALVE |
| 5C | HEADER VALVE |
| 6C | SALVAGE VALVE |
| 8C | RELIEF VALVE |
| 9C | CARGO CHECK VALVE |
| 13C | CARGO BLOCK VALVE |
| 19C | CARGO TANK VALVE |
| 30C | LOAD VALVE |
| 37C | MASTER SUCTION VALVE |
| 1S | SLOP TANK (3000 GAL) |
-
- | | |
|-------|-------------------|
| — | ABOVE DECK PIPING |
| - - - | BELOW DECK PIPING |

TRINITY MARINE



KIRBY INLAND MARINE

CARGO

PIPING FLOW DIAGRAM

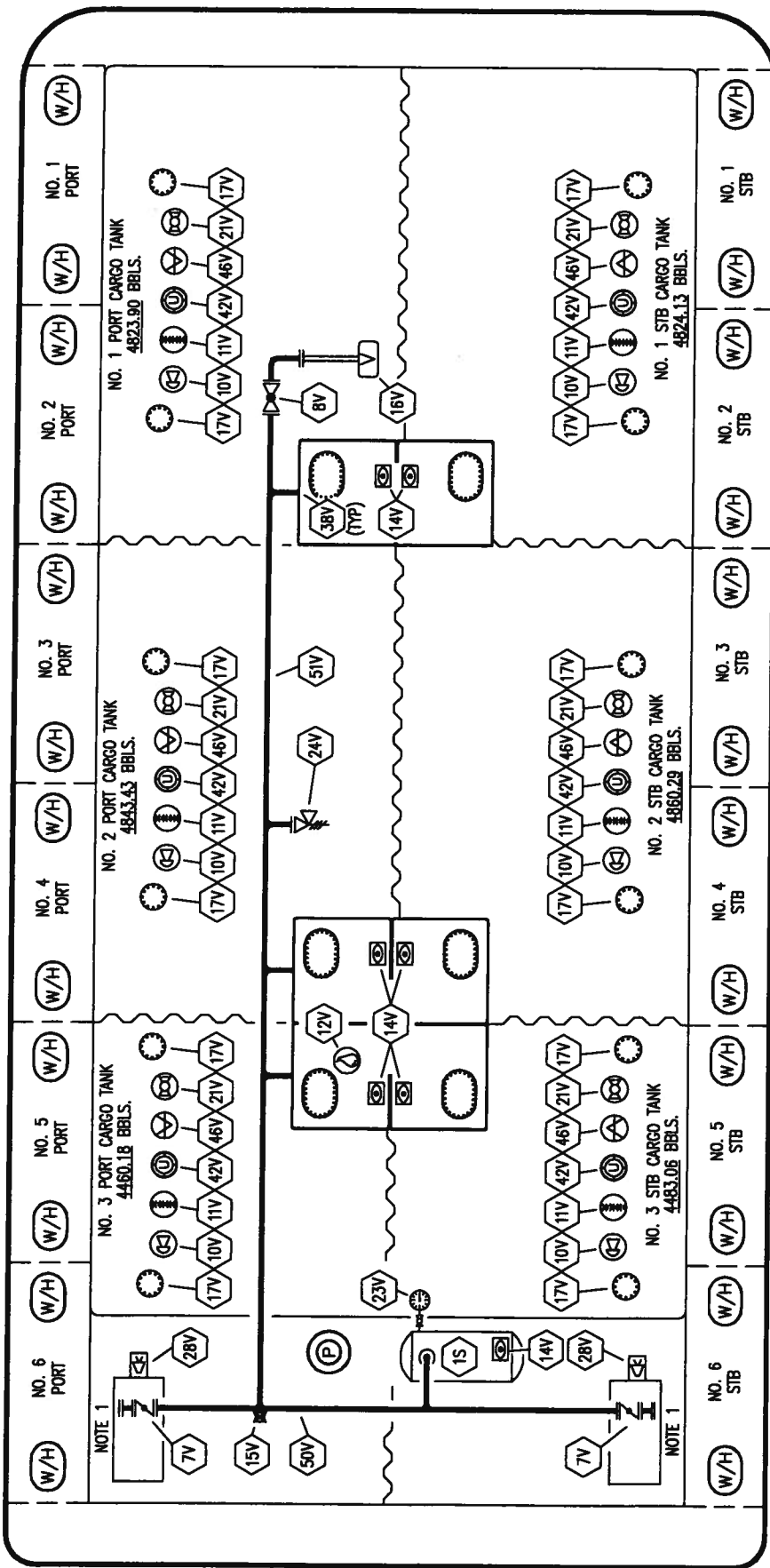
REV.	0	SCALE: NONE	REVISION DESCRIPTION
REV.	0	PAGE: 1 OF 3	

KIRBY 28061

PORT

BOB

STERN



NO. 1 PORT CARGO TANK
4823.90 BBLs.

NO. 2 PORT CARGO TANK
4843.43 BBLs.

NO. 3 PORT CARGO TANK
4460.18 BBLs.

NOTE 1

NO. 1 STB CARGO TANK
4824.13 BBLs.

NO. 2 STB CARGO TANK
4860.29 BBLs.

NO. 3 STB CARGO TANK
4483.06 BBLs.

NOTE 1

NO	SIZE	DESCRIPTION	NO	SIZE	DESCRIPTION	STARBOARD
15	8"	SLOP TANK (3000 GAL.)	23V	1/4"	PRESSURE/VAC GAUGE	
7V	8"	HEADER VALVE	24V	6"	PRESSURE RELIEF VALVE	
8V	8"	VENT STACK VALVE	28V		HIGH LEVEL DOCK ALARM	
10V	8"	HIGH LEVEL/OVERFILL ALARM	38V		VAPOR PENETRATION	
11V	8"	1 METER GAUGE STICK	42V	10"	ULLAGE	
12V	2"	HERMETIC SAMPLE	46V	2"	SOUNDING TUBE	
14V	8"	SIGHT GLASS	50V		VAPOR HEADER	
15V	2"	INSPECTION PORT	51V		VAPOR PIPELINE	
16V	8"	VAPOR VENT STACK			ABOVE DECK PIPING	
17V	19"	BUTTERWORTH				
19V		EMERGENCY SHUTDOWN SYSTEM				
21V	2"	HERMETIC GAUGE				

NOTE 1: CONTAINMENT P/S

TRINITY MARINE



KIRBY INLAND MARINE

VAPOR

PIPING FLOW DIAGRAM

REV.	DATE	BY	CHK APP	REVISION DESCRIPTION
0	03/30/09	WK	RB	APPROVED

SCALE: NONE

PAGE: 2 OF 3

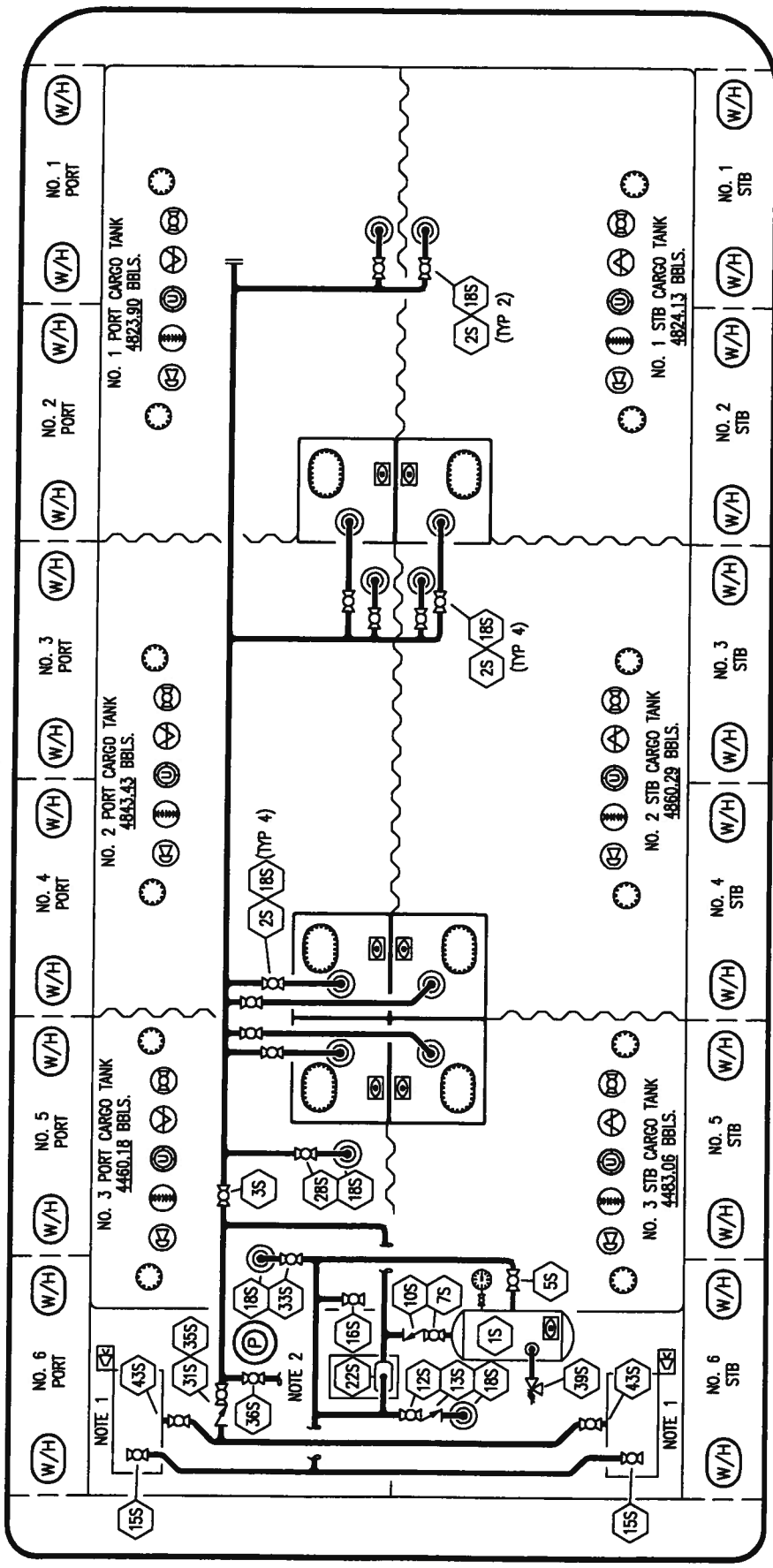
REV. 0

KIRBY 28061

PORT

BOW

STERN



NO. 1 PORT (W/H) NO. 2 PORT (W/H) NO. 3 PORT (W/H) NO. 4 PORT (W/H) NO. 5 PORT (W/H) NO. 6 PORT (W/H)

NO. 1 STB (W/H) NO. 2 STB (W/H) NO. 3 STB (W/H) NO. 4 STB (W/H) NO. 5 STB (W/H) NO. 6 STB (W/H)

NO. 1 PORT CARGO TANK
4823.90 BBLs.

NO. 2 PORT CARGO TANK
4863.43 BBLs.

NO. 3 PORT CARGO TANK
4460.18 BBLs.

NO. 1 STB CARGO TANK
4824.13 BBLs.

NO. 2 STB CARGO TANK
4860.29 BBLs.

NO. 3 STB CARGO TANK
4483.06 BBLs.

TRINITY MARINE



KIRBY INLAND MARINE

STRIPPING PIPING FLOW DIAGRAM

STARBOARD

NOTE 1: CONTAINMENT P/S
NOTE 2: TO CARGO PUMP DISCHARGE

NO.	DESCRIPTION	NO.	DESCRIPTION
1S	SLOP TANK	22S	STRIPPING PUMP
2S	VALVE CARGO TANK	31S	CHECK VALVE
3S	VALVE MAIN CARGO PIPING	33S	PUMP WELL SUCTION
5S	SLOP TANK SUCTION VALVE	35S	STRIPPING VALVE
7S	SLOP TANK VALVE	36S	STRIPPING PUMP DISCHARGE
10S	SLOP TANK CHECK VALVE	39S	P/V VALVE
12S	RETURN TO CARGO TANK VALVE	43S	DRIP PAN SUCTION VALVE
13S	RETURN TO CARGO CHECK VALVE		ABOVE DECK PIPING
15S	DISCHARGE CARGO VALVE		
16S	REMOTE SUCTION CONNECTION		
18S	STRIPPING DROP		

REV.	DATE	BY	CHK APP	REVISION DESCRIPTION
0	03/30/09	WK	RB	OF APPROVED

SCALE: NONE
PAGE: 3 OF 3

KIRBY 28061

REV. 0