

NO	DESCRIPTION	NO	DESCRIPTION
1C	CARGO TANK VALVE	19C	CARGO HEADER
2C	LOAD VALVE	30C	CARGO PIPELINE
3C	MASTER SUCTION VALVE	37C	CARGO DROP
4C	DISCHARGE VALVE	—	—
5C	HEADER VALVE	—	—
6C	SALVAGE VALVE	—	—
8C	RELIEF VALVE	—	—
9C	CARGO CHECK VALVE	—	—
13C	CARGO BLOCK VALVE	—	—

NOTE 1: CONTAINMENT P/S

TRINITY MARINE

REV.	DATE	BY	CHK	APP	REVISION DESCRIPTION
1	09/03/21	MRV	DDA	OF	REVISED PER CLIENT COMMENTS
0	03-23-09	RB	RB	OF	APPROVED

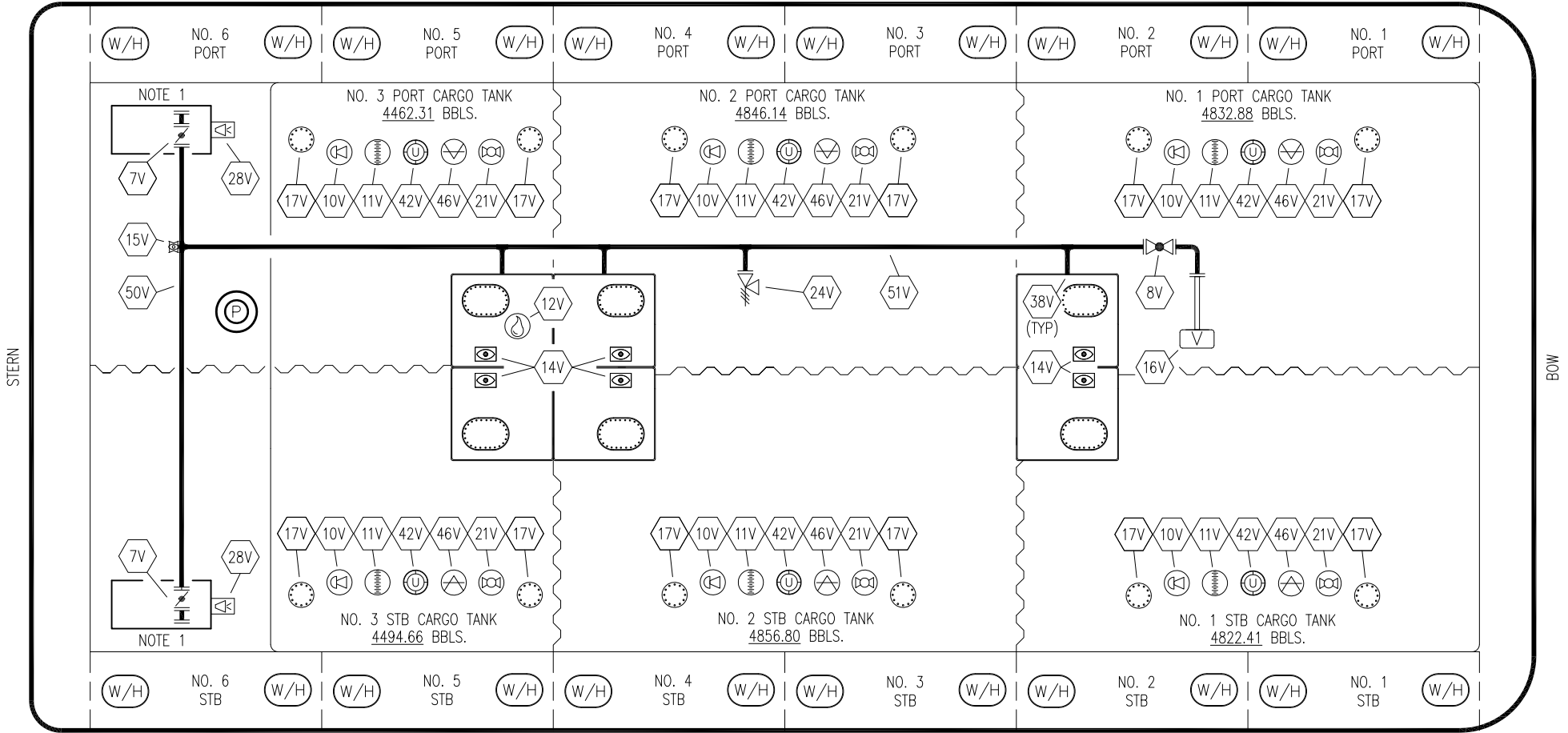
KIRBY INLAND MARINE 

**CARGO
PIPING FLOW DIAGRAM**

SCALE: NONE
PAGE: 1 OF 3

KIRBY 28060

REV. **1**



NOTE 1: CONTAINMENT P/S

NO	SIZE	DESCRIPTION	NO	SIZE	DESCRIPTION
7V	8"	HEADER VALVE	24V	6"	PRESSURE RELIEF VALVE
8V	8"	VENT STACK VALVE	27V	2"	SLOP TANK VENT VALVE
10V	8"	HIGH LEVEL/OVERFILL ALARM	28V		HIGH LEVEL DOCK ALARM
11V	8"	1 METER GAUGE STICK	38V		VAPOR PENETRATION
12V	2"	HERMETIC SAMPLE	42V	10"	ULLAGE
15V	2"	INSPECTION PORT	46V	2"	SOUNDING TUBE
16V	8"	VAPOR VENT STACK	50V		VAPOR HEADER
17V	19"	BUTTERWORTH	51V		VAPOR PIPELINE
19V		EMERGENCY SHUTDOWN SYSTEM			ABOVE DECK PIPING
21V	2"	HERMETIC GAUGE			

TRINITY MARINE

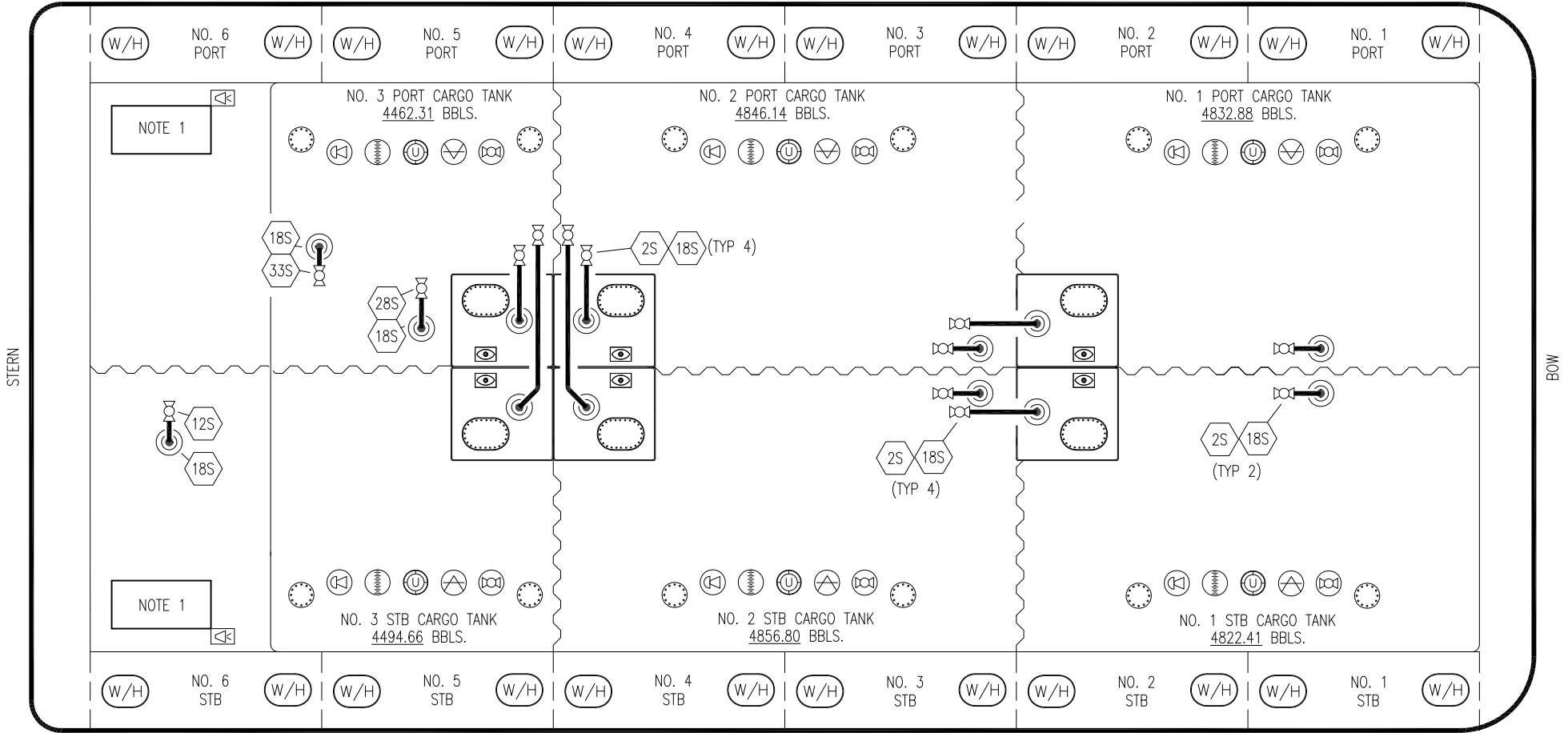
KIRBY INLAND MARINE

VAPOR PIPING FLOW DIAGRAM

REV.	DATE	BY	CHK	APP	REVISION DESCRIPTION
1	09/03/21	MRV	DDA	OF	REVISED PER CLIENT COMMENTS
0	03-23-09	RB	RB	OF	APPROVED

SCALE: NONE
PAGE: 2 OF 3

KIRBY 28060 REV. **1**



- | NO | DESCRIPTION |
|----|----------------------------|
| | VALVE CARGO TANK |
| | RETURN TO CARGO TANK VALVE |
| | STRIPPING DROP |
| | CARGO HEADER VALVE |
| | STRIPPING VALVE |
| | ABOVE DECK PIPING |

NOTE 1: CONTAINMENT P/S

TRINITY MARINE

KIRBY INLAND MARINE					
STRIPPING PIPING FLOW DIAGRAM					
REV.	DATE	BY	CHK	APP	REVISION DESCRIPTION
1	09/03/21	MRV	DDA	OF	REVISED PER CLIENT COMMENTS
0	03-23-09	RB	RB	OF	APPROVED
KIRBY 28060					
			SCALE: NONE		REV. 1
			PAGE: 3 OF 3		