

WEST GULF MARINE



**KIRBY INLAND MARINE**

**CARGO**

**PIPING FLOW DIAGRAM**

REV.	DATE	BY	CHK	APP	WK	RB	OF	APPROVED	REVISION DESCRIPTION
0	02/09/09								

SCALE: NONE

PAGE: 1 OF 3

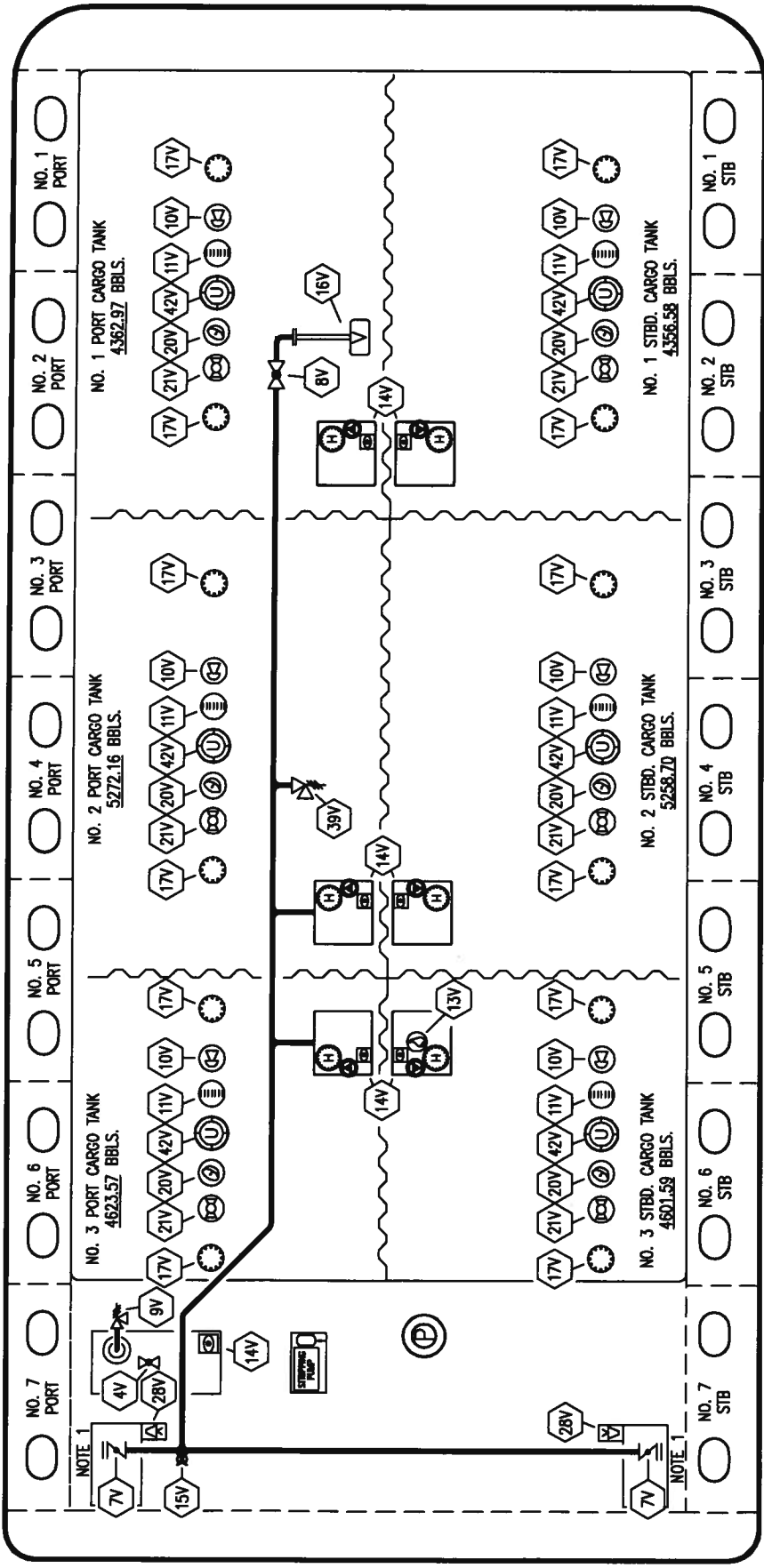
**KIRBY 28033**

REV. **0**

NO	SIZE	DESCRIPTION
11C	1"	BLEED OFF VALVE
12C	1"	BURP VALVE RETURN TO CARGO TANK
13C	10"	CARGO PIPING BLOCK VALVE
13Cb	12"	CARGO PIPING BLOCK VALVE
14V	1"	SIGHT GLASS
19C		CARGO HEADER
37C		CARGO DROP
		ABOVE DECK PIPING
		BELOW DECK PIPING

NOTE 1: CONTAINMENT PORT & STB.

NO. 8



NOTE 1

NOTE 1

WEST GULF MARINE



KIRBY INLAND MARINE

VAPOR

PIPING FLOW DIAGRAM

NO	SIZE	DESCRIPTION
4V	2"	SLOP TANK SPEC VENT VALVE
7V	8"	HEADER VALVE
8V	8"	VENT STACK VALVE
10V	8"	HIGH LEVEL/OVERFILL ALARM
11V	8"	GAUGE STICK
13V	8"	HERMETIC SAMPLE ONLY
14V	8"	SIGHT GLASS
15V	2"	INSPECTION PORT
16V	8"	VAPOR VENT STACK
17V		
20V	20"	BUTTERWORTH
21V	2"	RADAR GAUGING
28V	2"	HERMETIC GAUGE
39V	8"	HIGH LEVEL/OVERFILL ALARM DOCK CONNECTION
42V	6"	PRESS/VAC VALVE
	10'	ULLAGE
		ABOVE DECK PIPING

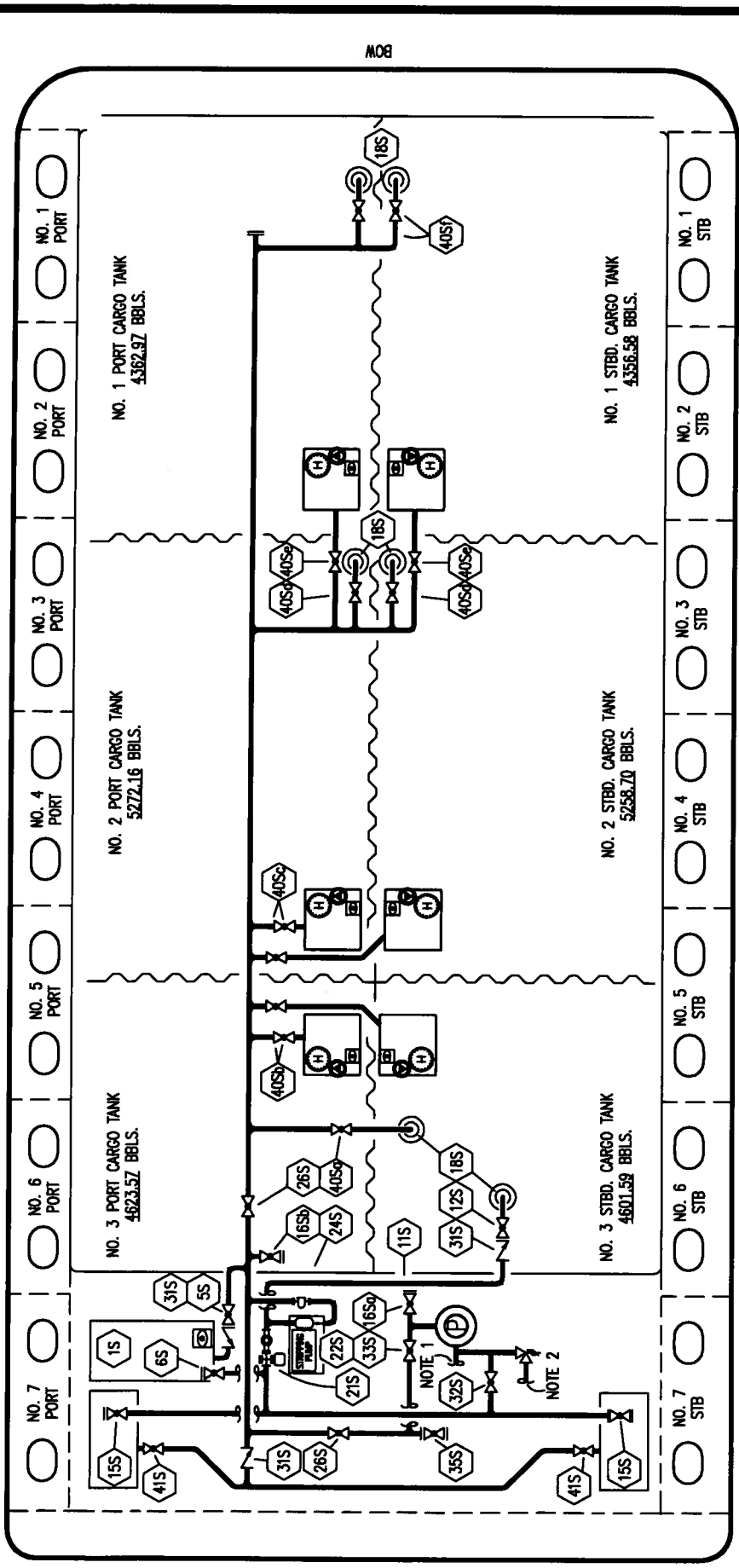
NOTE 1: CONTAINMENT PORT & STB.

REV.	DATE	BY	CHK	APP	REVISION DESCRIPTION
0	02/09/09	WK	RB	OF	APPROVED

SCALE: NONE  
PAGE: 2 OF 3

KIRBY 28033

REV. 0



WEST GULF MARINE

## KIRBY INLAND MARINE

### STRIPPING PIPING FLOW DIAGRAM

NO. 1 PORT CARGO TANK  
4362.97 BBLS.

NO. 2 PORT CARGO TANK  
5272.16 BBLS.

NO. 3 PORT CARGO TANK  
4823.57 BBLS.

NO. 1 STBD. CARGO TANK  
4356.58 BBLS.

NO. 2 STBD. CARGO TANK  
5258.70 BBLS.

NO. 3 STBD. CARGO TANK  
4801.59 BBLS.

STERN

BOW

NOTE 1: CONT. TO CARGO HEADER PIPING  
NOTE 2: CONT. TO BELOW DECK CARGO PIPING

ABOVE DECK PIPING \_\_\_\_\_

NO	DESCRIPTION	NO	DESCRIPTION
1S	SLOP TANK, 3000 GALLONS	40S	CARGO TANK SUCTION, NO. 2 P/S FWD. L.P.
5S	SLOP TANK SUCTION VALVE	40S	CARGO TANK SUCTION, NO. 1 P/S
6S	SLOP TANK FILL PIPING	40S	CARGO TANK SUCTION, NO. 1 P/S FWD. L.P.
11S	RETURN TO CARGO TANK PIPING	41S	CONTAINMENT SUCTION
12S	RETURN TO CARGO TANK VALVE		
15S	DISCHARGE HEADER VALVE		
16S	REMOTE PUMP WELL SUCTION		
16S	REMOTE SUCTION CONNECTION		
18S	STRIPPING DROP		
21S	PRIMING POT W/ SIGHT GLASS		
22S	STRIPPING PUMP		
24S	BASKET STRAINER		
26S	STRIPPING HEADER BLOCK VALVE		
31S	CHECK VALVE		
32S	PUMP WELL PRIMER VALVE		
33S	PUMP WELL SUCTION		
35S	STRIPPING VALVE		
40S	CARGO TANK SUCTION, MAIN		
40S	CARGO TANK SUCTION, NO. 3 P/S		
40S	CARGO TANK SUCTION, NO. 2 P/S		

REV.	DATE	BY	CHK	APP	REVISION DESCRIPTION
0	02/09/09	WK	RB	OF	APPROVED

SCALE: NONE  
PAGE: 3 OF 3

REV. **0**