

- | | | | |
|-----|----------------------|------|---------------------------------|
| NO | DESCRIPTION | NO | DESCRIPTION |
| 1C | CARGO TANK VALVE | 11C | BLEED OFF VALVE |
| 2C | LOAD VALVE | 12C | BURP VALVE RETURN TO CARGO TANK |
| 3C | MASTER SUCTION VALVE | 13Ca | CARGO PIPING BLOCK VALVE |
| 4C | DISCHARGE VALVE | 13Cb | CARGO PIPING BLOCK VALVE |
| 5C | HEADER VALVE | 14V | SIGHT GLASS |
| 6C | SALVAGE VALVE | 19C | CARGO HEADER |
| 8C | RELIEF VALVE | 37C | CARGO DROP |
| 9C | CHECK VALVE | | |
| 10C | BURP VALVE | | |
- ABOVE DECK PIPING
 - - - - - BELOW DECK PIPING

NOTE 1: CONTAINMENT PORT & STB.

WEST GULF MARINE

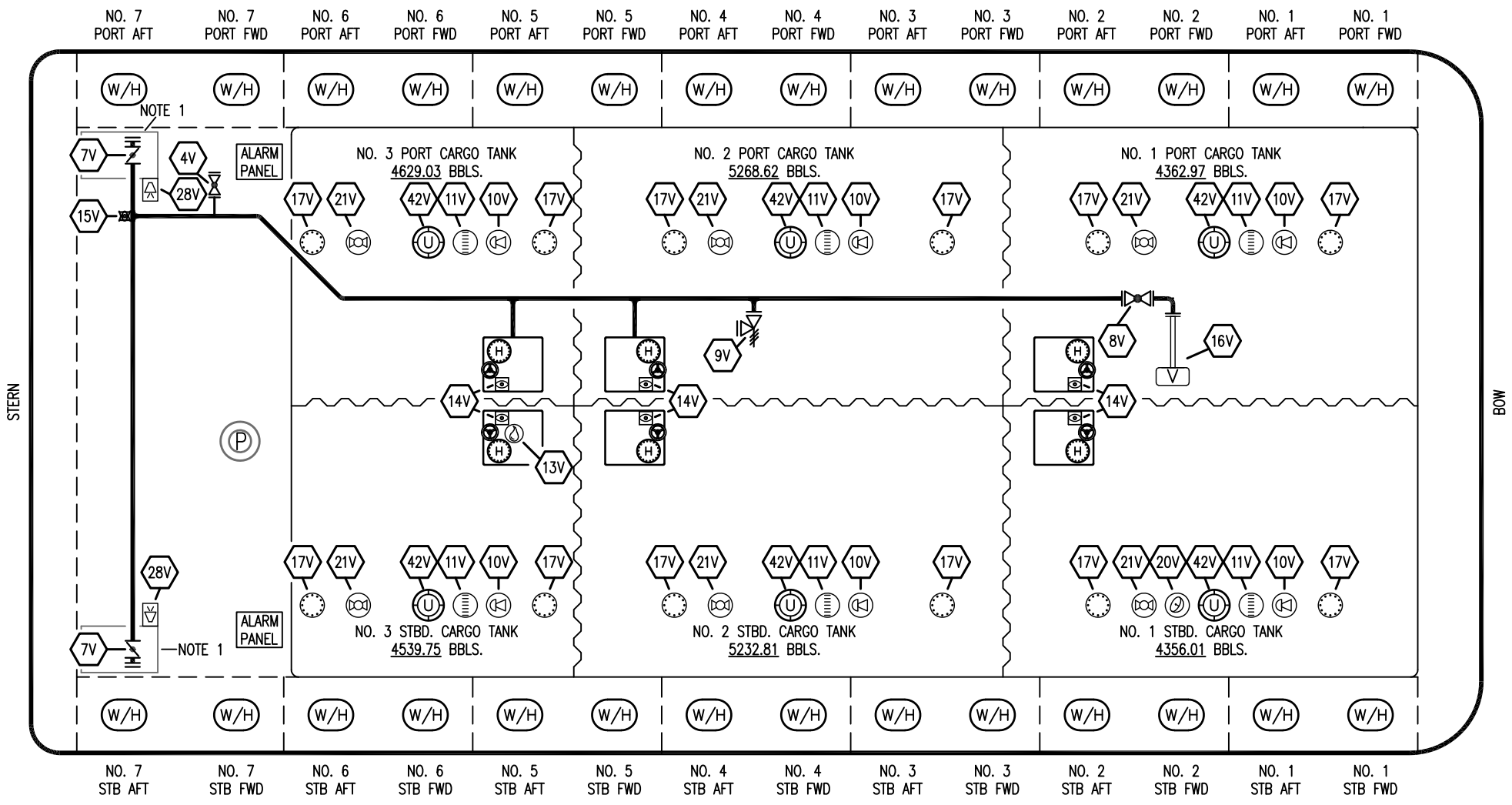
REV.	DATE	BY	CHK	APP	REVISION DESCRIPTION
4	11/15/23	MRV	DDA	DAR	REVISED PER CLIENT COMMENTS
3	12/04/18	MRV	DDA		REVISED PER CLINET COMMENTS
2	07/31/14	DDA	DDA	OF	REVISED PER CLIENT COMMENTS
1	02/13/13	KS	DDA		REVISED PIPING
0	02/09/09	WK	RB	OF	APPROVED

KIRBY INLAND MARINE

CARGO PIPING FLOW DIAGRAM

KIRBY 28028

SCALE: NONE	REV. 4
PAGE: 1 OF 3	



- | | |
|-----|---------------------------|
| NO | DESCRIPTION |
| 4V | SLOP TANK SPEC VENT VALVE |
| 7V | HEADER VALVE |
| 8V | VENT STACK VALVE |
| 9V | PRESS/VAC VALVE |
| 10V | HIGH LEVEL/OVERFILL ALARM |
| 11V | GAUGE STICK |
| 13V | HERMETIC SAMPLE ONLY |
| 14V | SIGHT GLASS |
| 15V | INSPECTION PORT |

- | | |
|-----|---|
| NO | DESCRIPTION |
| 16V | VAPOR VENT STACK |
| 17V | BUTTERWORTH |
| 21V | HERMETIC GAUGE |
| 28V | HIGH LEVEL/OVERFILL ALARM DOCK CONNECTION |
| 42V | ULLAGE |
| | ABOVE DECK PIPING |

NOTE 1: CONTAINMENT PORT & STB.

WEST GULF MARINE

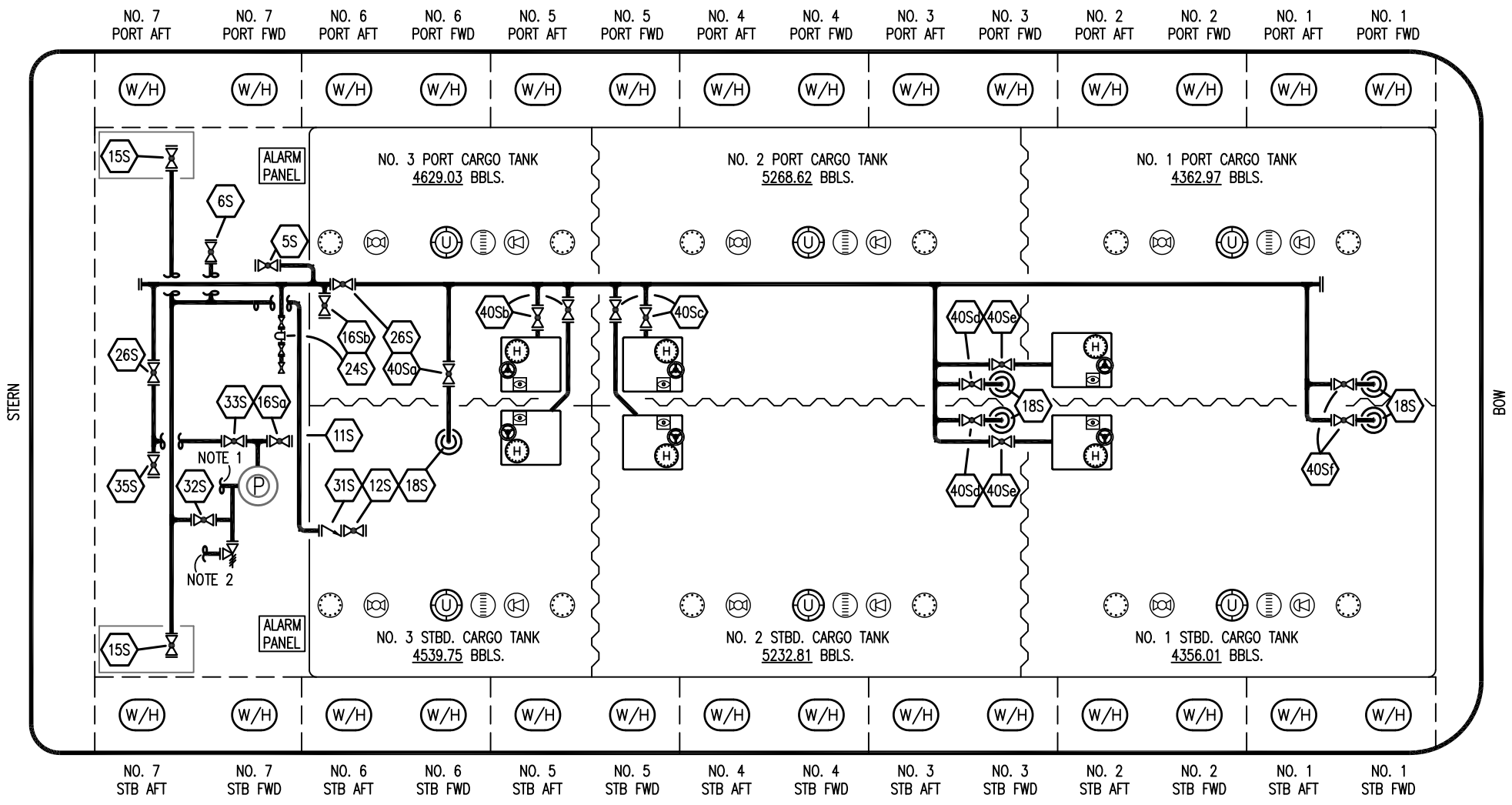
KIRBY INLAND MARINE

VAPOR PIPING FLOW DIAGRAM

REV.	DATE	BY	CHK	APP	REVISION DESCRIPTION
2	11/15/23	MRV	DDA	DAR	REVISED PER CLIENT COMMENTS
1	12/04/18	MRV	DDA		REVISED PER CLIENT COMMENTS
0	02/09/09	WK	RB	OF	APPROVED

SCALE: NONE
PAGE: 2 OF 3

KIRBY 28028 REV. **2**



- 5S SLOP TANK SUCTION VALVE
- 6S SLOP TANK FILL PIPING
- 11S RETURN TO CARGO TANK PIPING
- 12S RETURN TO CARGO TANK VALVE
- 15S DISCHARGE HEADER VALVE
- 16So REMOTE PUMP WELL SUCTION
- 16Sb REMOTE SUCTION CONNECTION
- 18S STRIPPING DROP
- 21S PRIMING POT W/ SIGHT GLASS

- 24S BASKET STRAINER
- 26S STRIPPING HEADER BLOCK VALVE
- 31S CHECK VALVE
- 32S PUMP WELL PRIMER VALVE
- 33S PUMP WELL SUCTION
- 35S STRIPPING VALVE
- 40So CARGO TANK SUCTION, MAIN
- 40Sb CARGO TANK SUCTION, NO. 3 P/S
- 40Sc CARGO TANK SUCTION, NO. 2 P/S

- 40Sd CARGO TANK SUCTION, NO. 2 P/S FWD. L.P.
- 40Se CARGO TANK SUCTION, NO. 1 P/S
- 40Sf CARGO TANK SUCTION, NO. 1 P/S FWD. L.P.
- 41S CONTAINMENT SUCTION

NOTE 1: CONT. TO CARGO HEADER PIPING
 NOTE 2: CONT. TO BELOW DECK CARGO PIPING

ABOVE DECK PIPING ———

WEST GULF MARINE

KIRBY INLAND MARINE

STRIPPING PIPING FLOW DIAGRAM

REV.	DATE	BY	CHK	APP	REVISION DESCRIPTION
2	11/15/23	MRV	DDA	DAR	REVISED PER CLIENT COMMENTS
1	12/04/18	MRV	DDA		REVISED PER CLIENT COMMENTS
0	02/09/09	WK	RB	OF	APPROVED

SCALE: NONE
PAGE: 3 OF 3

KIRBY 28028 REV. **2**