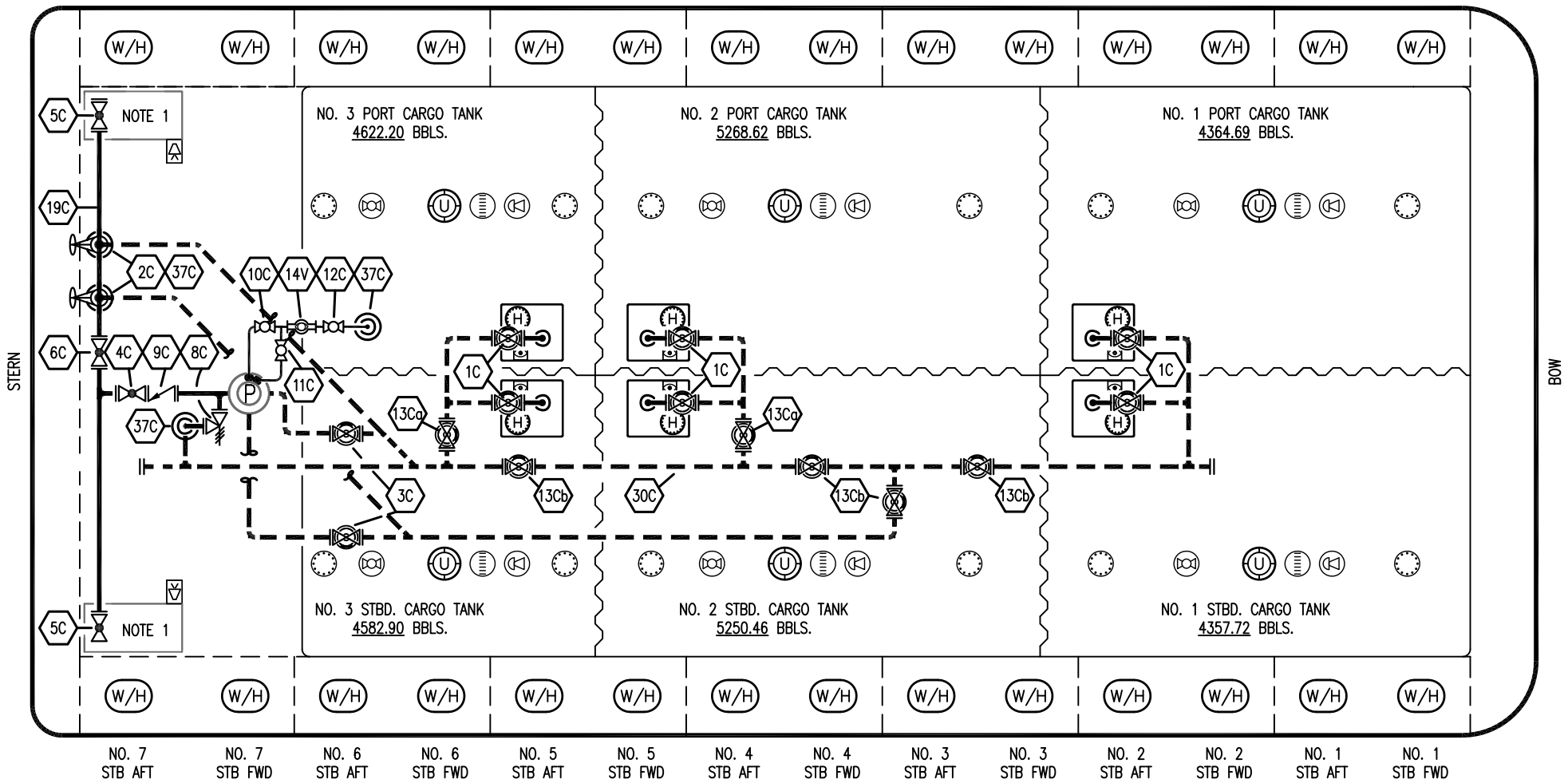


NO. 7 PORT AFT NO. 7 PORT FWD NO. 6 PORT AFT NO. 6 PORT FWD NO. 5 PORT AFT NO. 5 PORT FWD NO. 4 PORT AFT NO. 4 PORT FWD NO. 3 PORT AFT NO. 3 PORT FWD NO. 2 PORT AFT NO. 2 PORT FWD NO. 1 PORT AFT NO. 1 PORT FWD




NO. 7 STB AFT NO. 7 STB FWD NO. 6 STB AFT NO. 6 STB FWD NO. 5 STB AFT NO. 5 STB FWD NO. 4 STB AFT NO. 4 STB FWD NO. 3 STB AFT NO. 3 STB FWD NO. 2 STB AFT NO. 2 STB FWD NO. 1 STB AFT NO. 1 STB FWD

NO	DESCRIPTION	NO	DESCRIPTION
1C	CARGO TANK VALVE	11C	BLEED OFF VALVE
2C	LOAD VALVE	12C	BURP VALVE RETURN TO CARGO TANK
3C	MASTER SUCTION VALVE	13Ca	CARGO PIPING BLOCK VALVE
4C	DISCHARGE VALVE	13Cb	CARGO PIPING BLOCK VALVE
5C	HEADER VALVE	14V	SIGHT GLASS
6C	SALVAGE VALVE	19C	CARGO HEADER
8C	RELIEF VALVE	37C	CARGO DROP
9C	CHECK VALVE		
10C	BURP VALVE		
	—————		ABOVE DECK PIPING
	-----		BELOW DECK PIPING

NOTE 1: CONTAINMENT PORT & STB.

WEST GULF MARINE

REV.	DATE	BY	CHK	APP	REVISION DESCRIPTION
3	05/18/23	MRV	DDA	DAR	REVISED PER CLIENT COMMENTS
2	07/31/14	DDA	DDA	OF	REVISED PER CLIENT COMMENTS
1	02/13/13	KS	DDA		REVISED PIPING
0	02/09/09	WK	RB	OF	APPROVED

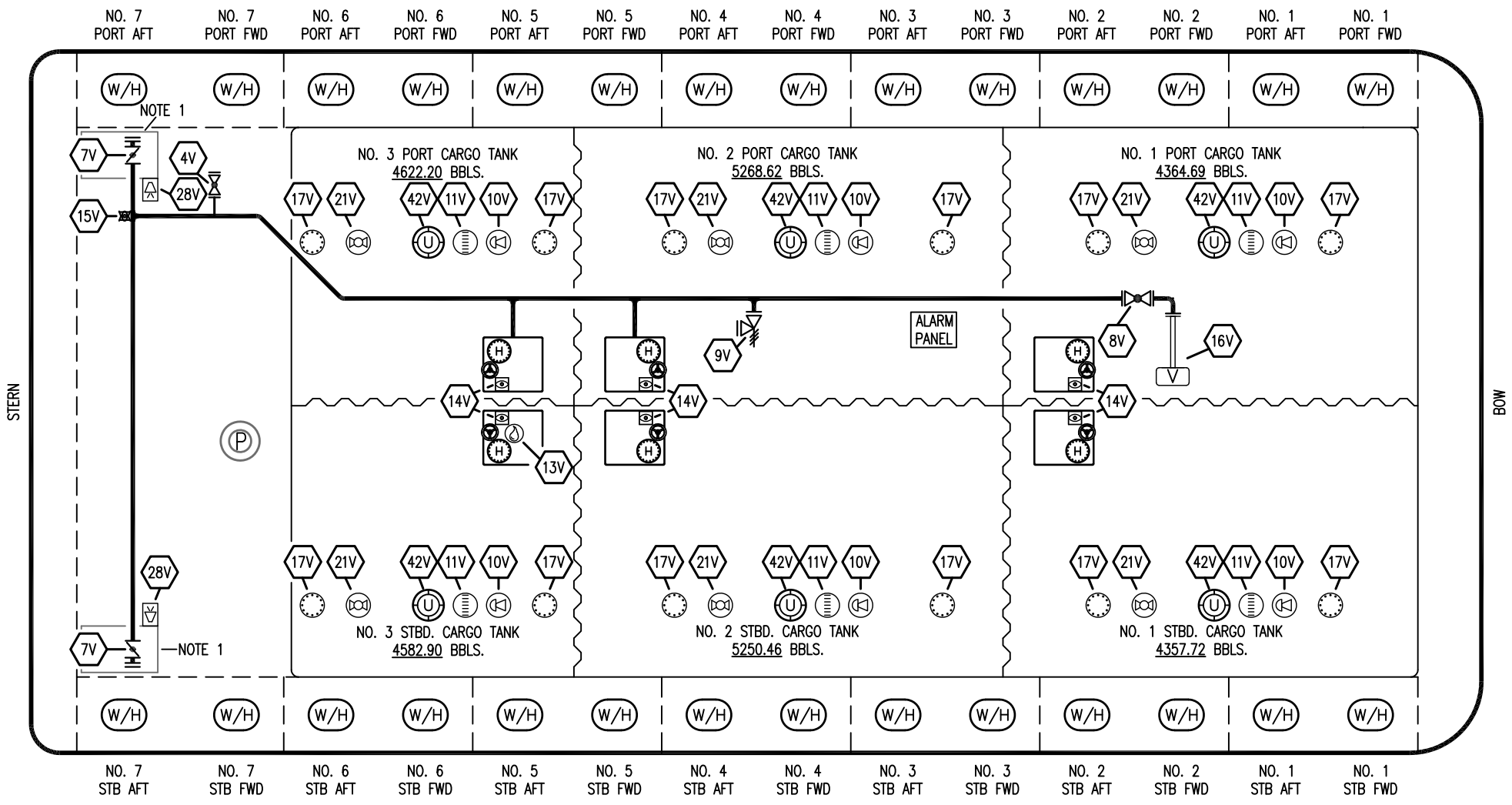


KIRBY INLAND MARINE

CARGO PIPING FLOW DIAGRAM

KIRBY 28027

SCALE: NONE	REV. 3
PAGE: 1 OF 3	



- | | | | |
|-----|---------------------------|-----|---|
| NO | DESCRIPTION | NO | DESCRIPTION |
| 4V | SLOP TANK SPEC VENT VALVE | 17V | BUTTERWORTH |
| 7V | HEADER VALVE | 21V | HERMETIC GAUGE |
| 8V | VENT STACK VALVE | 28V | HIGH LEVEL/OVERFILL ALARM DOCK CONNECTION |
| 9V | PRESS/VAC VALVE | 42V | ULLAGE |
| 10V | HIGH LEVEL/OVERFILL ALARM | — | ABOVE DECK PIPING |
| 11V | GAUGE STICK | | |
| 13V | HERMETIC SAMPLE ONLY | | |
| 14V | SIGHT GLASS | | |
| 15V | INSPECTION PORT | | |
| 16V | VAPOR VENT STACK | | |

- | | | | |
|-----|---|-----|---|
| NO | DESCRIPTION | NO | DESCRIPTION |
| 17V | BUTTERWORTH | 17V | BUTTERWORTH |
| 21V | HERMETIC GAUGE | 21V | HERMETIC GAUGE |
| 28V | HIGH LEVEL/OVERFILL ALARM DOCK CONNECTION | 28V | HIGH LEVEL/OVERFILL ALARM DOCK CONNECTION |
| 42V | ULLAGE | 42V | ULLAGE |
| — | ABOVE DECK PIPING | | |

NOTE 1: CONTAINMENT PORT & STB.

WEST GULF MARINE

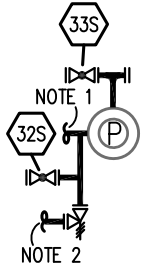
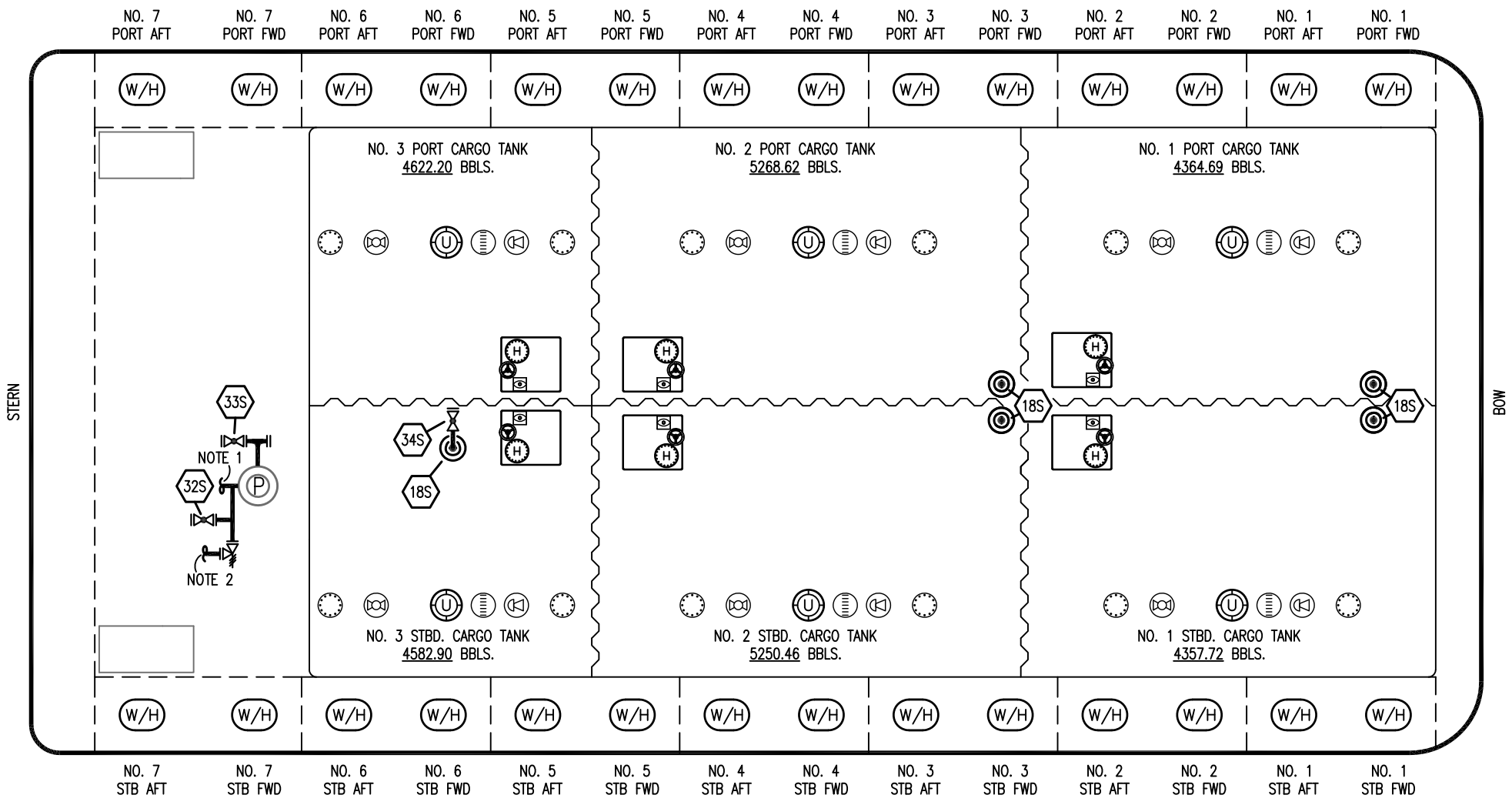
KIRBY INLAND MARINE

VAPOR PIPING FLOW DIAGRAM

REV.	DATE	BY	CHK	APP	REVISION DESCRIPTION
1	05/18/23	MRV	DDA	DAR	REVISED PER CLIENT COMMENTS
0	02/09/09	WK	RB	OF	APPROVED

SCALE: NONE
PAGE: 2 OF 3

KIRBY 28027 REV. **1**




- NO. 16Sa REMOTE PUMP WELL SUCTION
- NO. 16Sb REMOTE SUCTION CONNECTION
- NO. 18S STRIPPING DROP
- NO. 21S PRIMING POT W/ SIGHT GLASS

- NO. 32S PUMP WELL PRIMER VALVE
- NO. 34S STRIPPING PIPELINE
- NO. 33S PUMP WELL SUCTION
- ABOVE DECK PIPING

NOTE 1: CONT. TO CARGO HEADER PIPING
NOTE 2: CONT. TO BELOW DECK CARGO PIPING

WEST GULF MARINE

REV.	DATE	BY	CHK	APP	REVISION DESCRIPTION
1	05/18/23	MRV	DDA	DAR	REVISED PER CLIENT COMMENTS
0	02/09/09	WK	RB	OF	APPROVED



KIRBY INLAND MARINE

STRIPPING PIPING FLOW DIAGRAM

KIRBY 28027

SCALE: NONE	REV. 1
PAGE: 3 OF 3	