

NO.	SIZE	DESCRIPTION	NO.	SIZE	DESCRIPTION
1C	8"	CARGO TANK VALVE	19C	8"	CARGO HEADER
2C	8"	LOAD VALVE	22C	19"	BUTTERWORTH
3C	10"	MASTER SUCTION VALVE	25C	10"x8"	ECCENTRIC REDUCER
4C	8"	DISCHARGE VALVE	27C	4"	DRIP PAN DRAIN VALVE
5C	8"	HEADER VALVE	28C	6"	HIGH LOAD VALVE
6C	8"	SALVAGE VALVE	11V		GAUGE STICK (LENGTH)
8C	6"	RELIEF VALVE	18V		RESTRICTIVE GAUGE TUBE
9Ca	8"	CHECK VALVE	30V		THERMAL WELL WITH PIPE CAP
9Cb	1"	CHECK VALVE	38Ca		DEEPWELL DRAIN VALVE
15C	2"	BYPASS VALVE (AROUND CHECK VALVE)	38Cb		GATE VALVE
16C		DISCHARGE PRESSURE GAUGE	38Cc		SPRING VALVE

TRINITY MARINE

## CARGO PIPING FLOW DIAGRAM

NO. 6	NO. 5	NO. 4	NO. 3	NO. 2	NO. 1
PORT AFT	PORT AFT	PORT FWD	PORT AFT	PORT FWD	PORT AFT
NO. 6	NO. 5	NO. 4	NO. 3	NO. 2	NO. 1
STBD FWD	STBD AFT	STBD FWD	STBD AFT	STBD FWD	STBD AFT
NO. 6	NO. 5	NO. 4	NO. 3	NO. 2	NO. 1
PORT AFT	PORT AFT	PORT FWD	PORT AFT	PORT FWD	PORT AFT

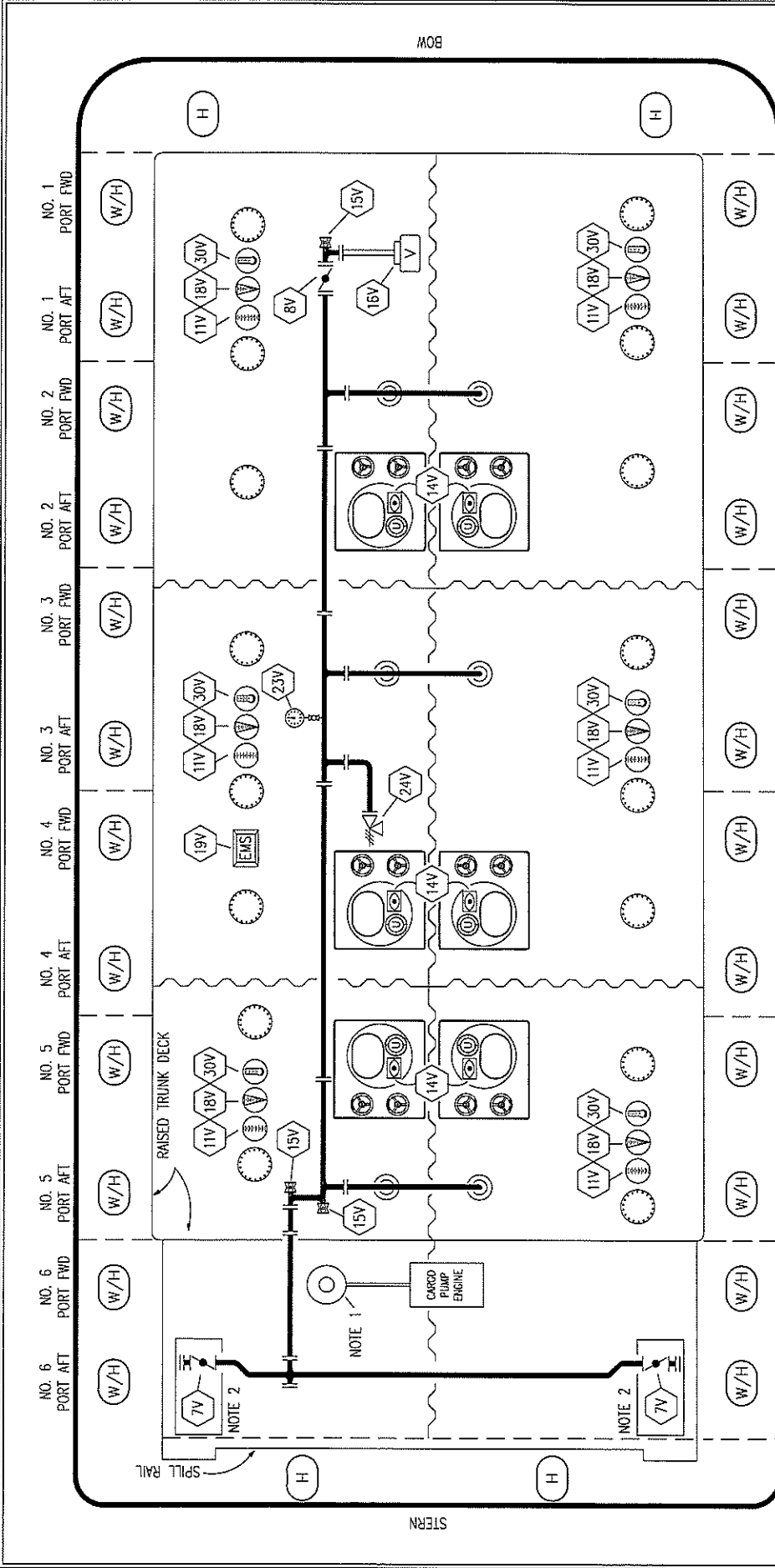
NOTE 2: 6 BARREL DRIP PAN  
 NOTE 3: PICKLING LINE  
 ABOVE DECK PIPING ———  
 BELOW DECK PIPING - - -

REV.	DATE	BY	CHK APP	ISSUED FOR APPROVAL
0	06/18/14	DDA	DDA	

SCALE: NONE  
 PAGE: 1 OF 3

**KIRBY 27788**

REV. **0**



NO. 6 PORT AFT		NO. 5 PORT AFT		NO. 4 PORT AFT		NO. 3 PORT AFT		NO. 2 PORT AFT		NO. 1 PORT AFT		NO. 1 PORT FWD	
NO.	DESCRIPTION	NO.	DESCRIPTION	NO.	DESCRIPTION	NO.	DESCRIPTION	NO.	DESCRIPTION	NO.	DESCRIPTION	NO.	DESCRIPTION
7V	HEADER VALVE	24V	6" PRESSURE RELIEF VALVE	11V	18V	30V	DEEPWELL PUMP	11V	18V	30V	11V	18V	30V
8V	VENT STACK VALVE	30V	THERMAL WELL WITH PIPE CAP	19V	EMS	23V	6 BARREL DRIP PAN	11V	18V	30V	11V	18V	30V
11V	GAUGE STICK (LENGTH)			14V				14V			14V		
14V	SIGHT GLASS			14V				14V			14V		
15V	INSPECTION PORT			14V				14V			14V		
16V	VAPOR VENT STACK			14V				14V			14V		
18V	RESTRICTIVE GAUGE TUBE			14V				14V			14V		
19V	EMERGENCY SHUTDOWN SYSTEM			14V				14V			14V		
23V	PRESSURE GAUGE			14V				14V			14V		

TRINITY MARINE



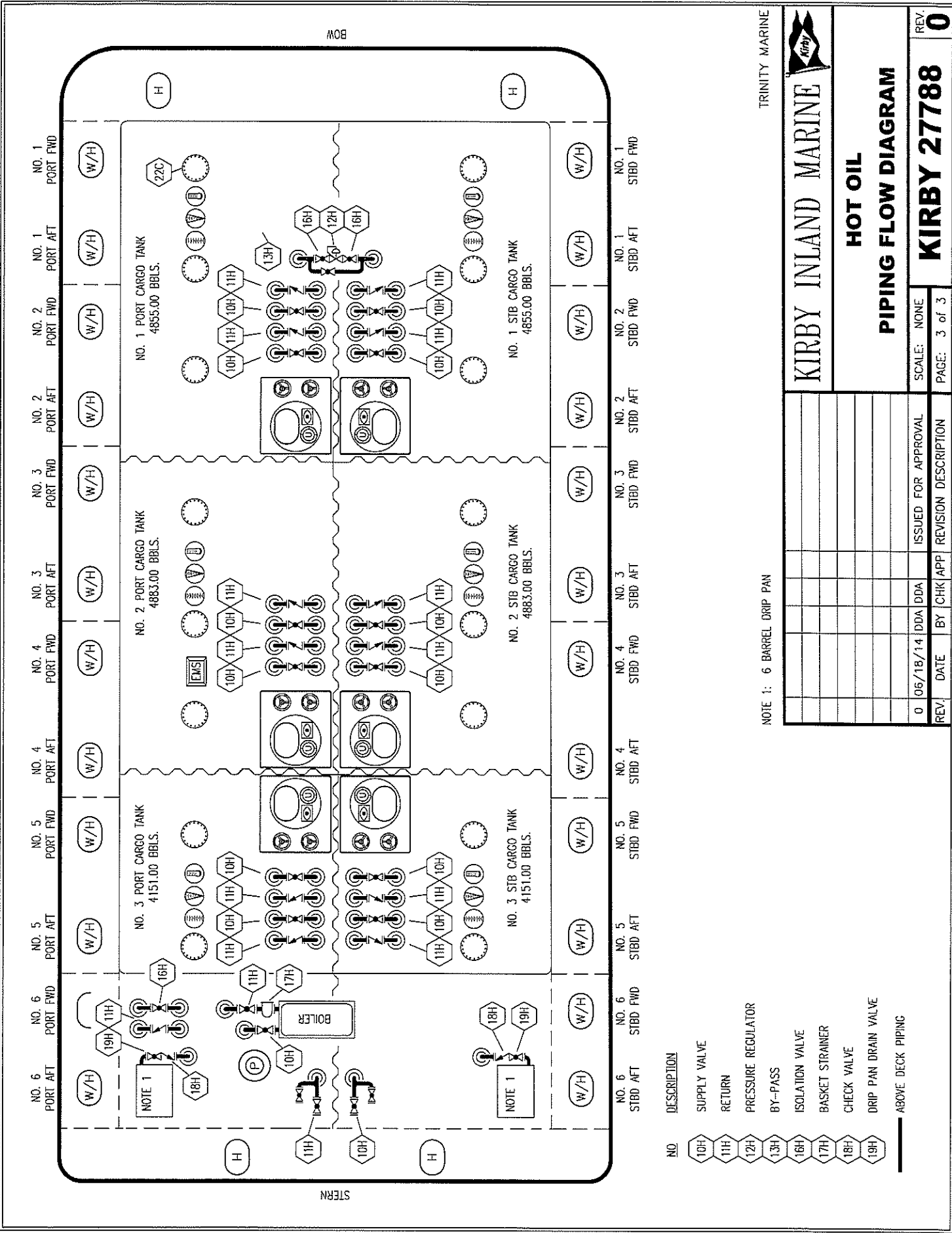
KIRBY INLAND MARINE

VAPOR PIPING FLOW DIAGRAM

SCALE: NONE  
PAGE: 2 OF 3

REV	DATE	BY	CHK APP	REVISION DESCRIPTION
0	06/18/14	DDA		ISSUED FOR APPROVAL

KIRBY 27788  
REV. 0



TRINITY MARINE



KIRBY INLAND MARINE

**HOT OIL  
PIPING FLOW DIAGRAM**

SCALE: NONE  
PAGE: 3 of 3  
**KIRBY 27788**

REV.	DATE	BY	CHK APP	REVISION DESCRIPTION
0	06/18/14	DDA	DDA	ISSUED FOR APPROVAL

NOTE 1: 6 BARREL DRIP PAN

- NO. DESCRIPTION**
- 10H SUPPLY VALVE
  - 11H RETURN
  - 12H PRESSURE REGULATOR
  - 13H BY-PASS
  - 16H ISOLATION VALVE
  - 17H BASKET STRAINER
  - 18H CHECK VALVE
  - 19H DRIP PAN DRAIN VALVE
- ABOVE DECK PIPING

REV. 0